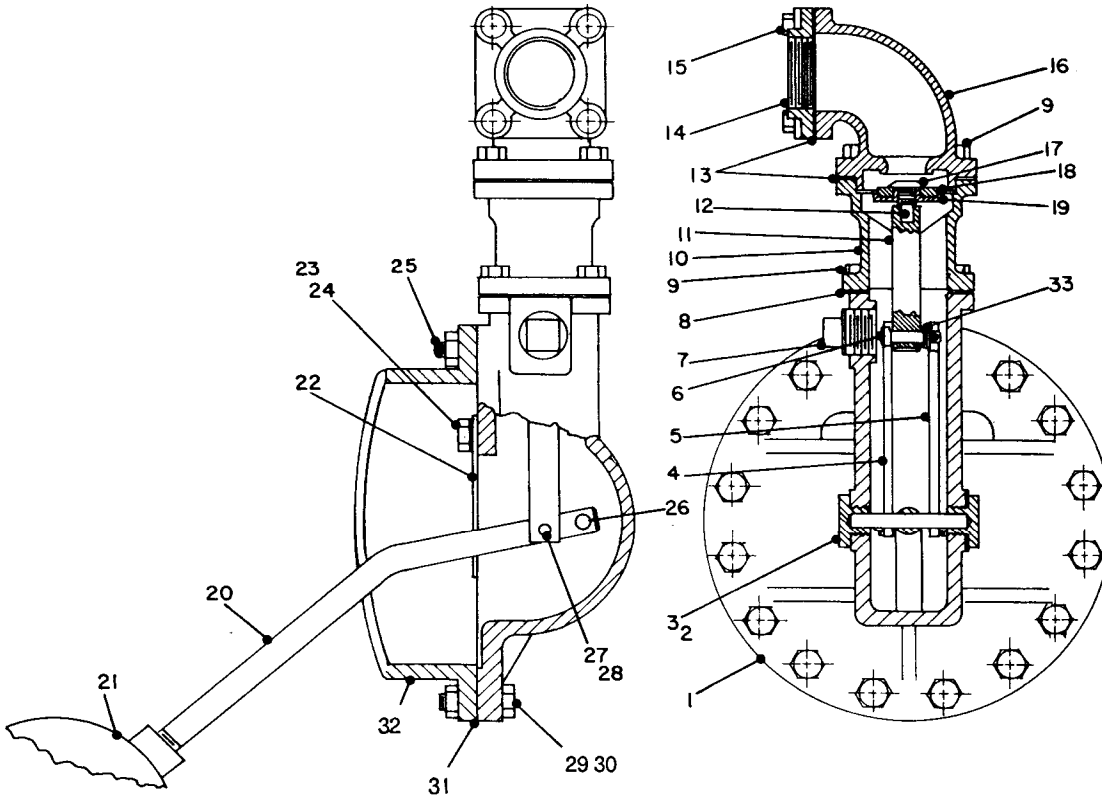


RL

Air Eliminator Head Assembly

No. 180000 - Steel Construction No. 180000-001 - Less
 Tank Flange For: KL-24, RL-24, RL-30, RL-36, RL-48



Item	Description	Part Number	Quantity Required
1	Air Eliminator Body	180001	1
2	Bearing Cap	180013	2
3	O-Ring	157024	2
4	Valve Link	180018	1
5	Valve Link	180019	1
6	Shoulder Screw	159372	1
7	Pipe Plug	154718-024	1
8	Gasket	41307	1
9	Screw	150785	8
10	Valve Guide	180051	1
11	Valve Stem	180036-000	1
12	Groove Pin	153518	1
13	Gasket	51307	2
14	Flange	51308	1
15	Screw	150786	4
16	Air Outlet Elbow	180052	1
17	Valve Stud	180042-000	1

Item	Description	Part Number	Quantity Required
18	Valve Disc	180041	1
19	Seal Retainer	180331-000	1
20	Float Lever	180011-000	1
21	Float Assembly	180015	1
22	Float Lever Guide	180009-000	1
23	Screw	150783	2
24	Lockwasher	152112	2
25	Stud	151323	2
26	Float Lever Pin	180014	1
27	Clevis Hinge Pin	180048	1
28	Cotter Pin	153913-419	2
29	Nut	151555	16
30	Screw	150806	14
31	Gasket	180008	1
32	Tank Flange	180007	1
33	Washer	151859	3