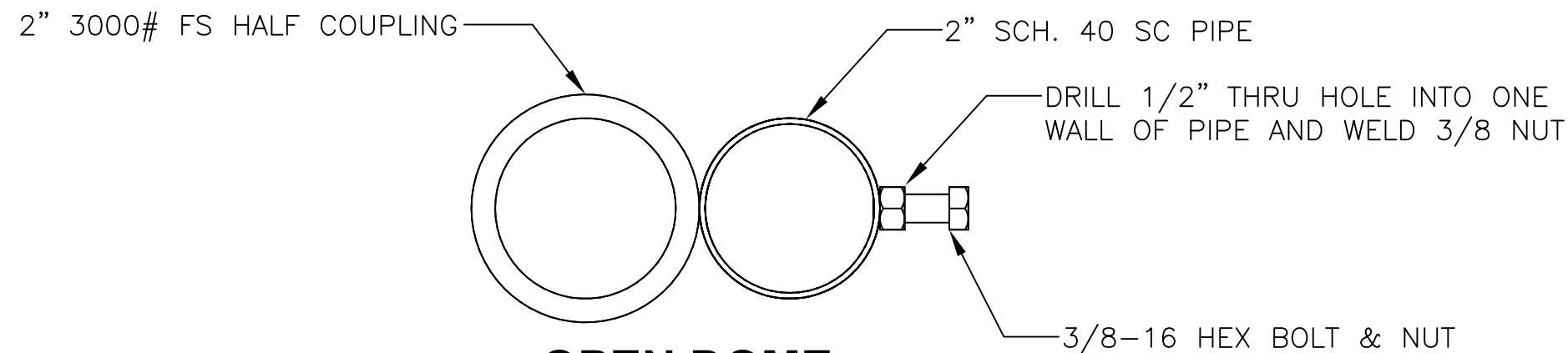


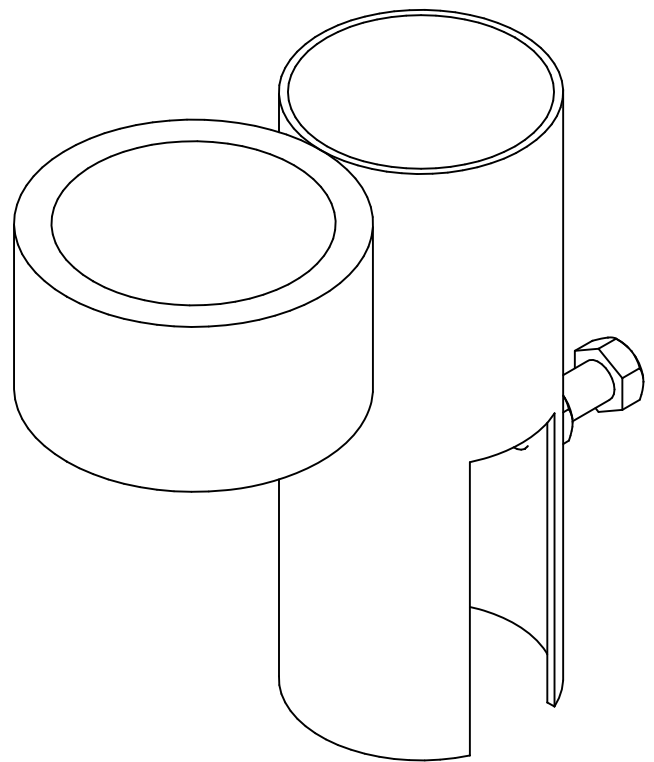
NOTES:

1. PAINT COLOR: SAFETY BLUE



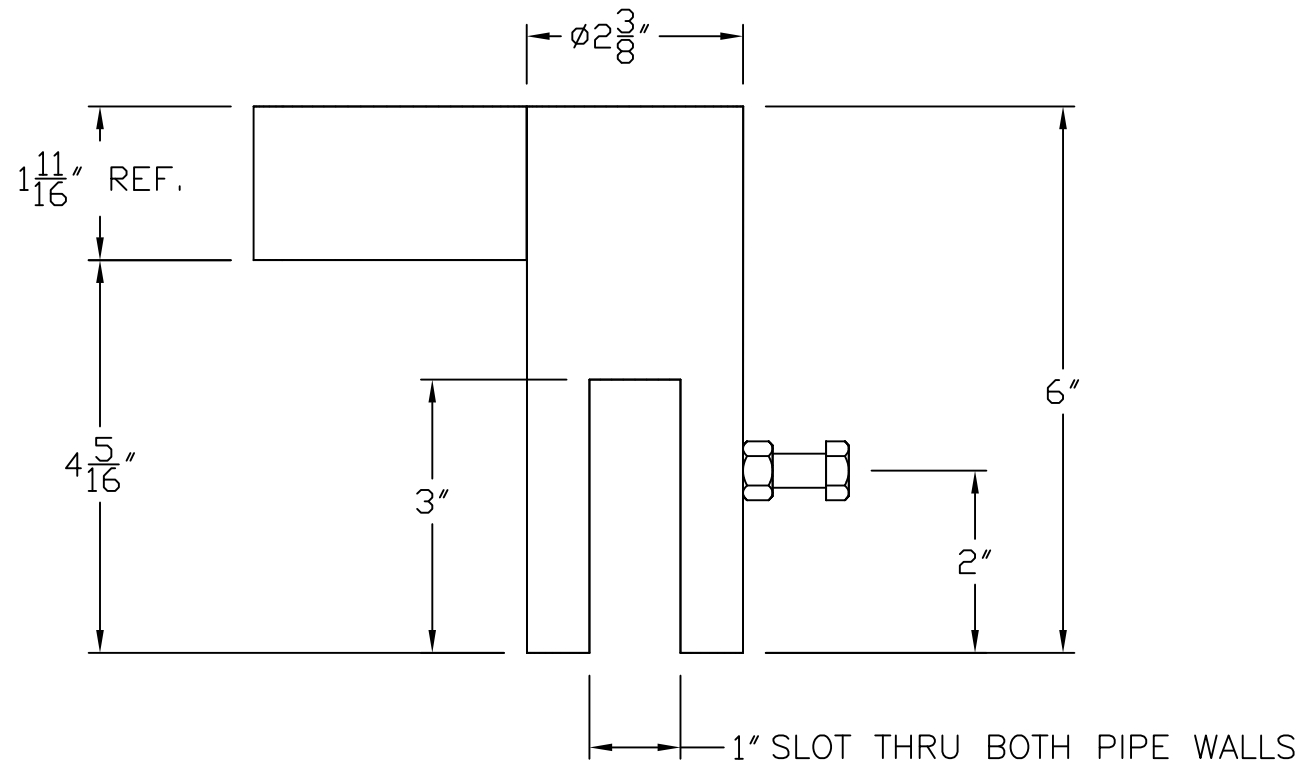
OPEN DOME CLAMP ADAPTOR

TOP VIEW
SCALE: 6"=1'-0"



OPEN DOME CLAMP ADAPTOR

ISOMETRIC VIEW
SCALE: NTS



OPEN DOME CLAMP ADAPTOR

SIDE VIEW
SCALE: 6"=1'-0"

PROPRIETARY NOTE

THIS DOCUMENT IS THE PROPERTY OF CWI, INC. ALL INFORMATION CONTAINED HEREIN MAY NEITHER BE REPRODUCED, USED, DISCLOSED, TRANSMITTED, NOR IN ANY WAY MADE PUBLIC WITHOUT THE WRITTEN PERMISSION OF CWI, INC.

REV	DATE	DESCRIPTION
REFERENCE: drawing.dwg		

CWI Railroad System Specialists		1827 COUNTY LINE RD. BARTO, PA 18504	
PROBE ADAPTOR			
OPEN DOME CLAMP ADAPTOR			
CITY		STATE	
PLOTSCALE: AS NOTED DATE: 3/30/2021 DRAWN: DLJ CHK'D:	PROJECT NUMBER STANDARD	DRAWING NO. RYS01 SHEET 1 OF 1	