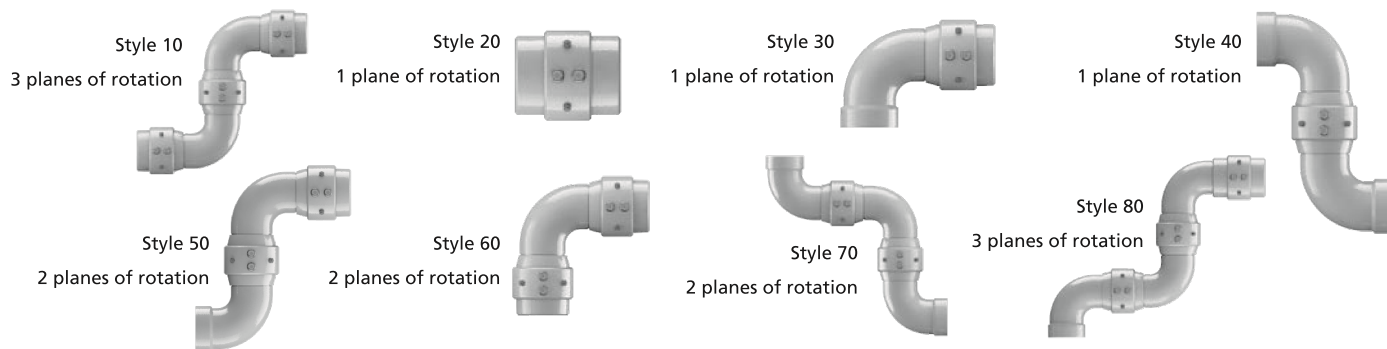


Basic OPW Swivel Joint Styles



How to Order

To assure your swivel joint order is processed promptly and efficiently, please specify quantity, product number, size, materials of construction, and give a brief description of the product. Use the convenient product numbering system shown below to simplify your selections.

Style (Planes of Rotation)

See basic styles above. Additionally, Style 44 is drop tube swivel w/ handle. Styles 35, 45, and 55 have threaded boss. Styles 56, 58, 76 and 78 have spring balance attachment lugs.

34 20 F - 040 3

Seal Materials

- 1 - Buna-N (Standard)
- 2 - Fluorocarbon (GFLT)
- 3 - PTFE / Silicone
- 4 - EPDM
- 9 - Kalrez®

Construction

Conventional Hose	26 - Aluminum Hose Reel
Reel Swivels	28 - Ductile Iron Hose Reel
Conventional Swivels	32 - Steel, High Pressure Cast
	33 - Bronze
	34 - Steel, Fabricated
	36 - Aluminum
	37 - 316 Stainless Steel, Cast
	38 - Ductile Iron
	39 - 316 Stainless Steel, Fabricated
Endura™	74 - Steel Endura™ LPG Hose Reel
	79 - 316 SST Endura™ LPG Hose Reel
Split Flange	82 - Steel Single Race DSF
	84 - Steel Dual Race DSF
	87 - 316 SST Single Race DSF
Swivels	89 - 316 SST Dual Race DSF

Alloy®, Hastelloy, Monel®, Duplex, PTFE-lined and other materials available.

End Connections

F	- 150 lb. ASME flange both ends
FFT	- 150 lb. ASME flange inlet x TTMA tank truck flange outlet
FJ	- For submerged use, 150 lb. ASME flange both ends
FO	- 150 lb. Flange x female NPT threads
FSB	- 150 lb. Flange both ends, with spring balance attachment lugs
FSBD	- 150 lb. Flange both ends, with spring balance attachment lugs, downfeed
FT	- TTMA tank truck flange both ends
FTH	- TTMA tank truck flange both ends, with female
VO	- Victaulic® x female NPT threads
FTO	- TTMA tank truck flange inlet x female NPT threaded outlet
J	- For submerged use
LFT	- Long swivel joint with TTMA tank truck flanges
TFT	- Female NPT threaded inlet x TTMA tank truck flange outlet
VOG	- Female NPT threads x Victaulic® groove, hard coat anodized aluminum
W	- Beveled for welding both ends

NO SUFFIX LETTER (S) indicates Female NPT threads both ends. 300 lb. flanges available on some models. BSPT threads available.

Availability of styles, sizes and materials may vary depending upon swivel configuration. Consult OPW Customer Service regarding your exact requirements.

Size

007	- 3/4"
010	- 1"
012	- 1-1/4"
015	- 1-1/2"
020	- 2"
030	- 3"
040	- 4"
060	- 6"
080	- 8"
100	- 10"
120	- 12"

Main Seal	Buna (Standard)		Fluorocarbon		PTFE / SILICONE		EPDM		FOOD GRADE NITRILE	
	Suffix No.	Price	Suffix No.	Price	Suffix No.	Price	Suffix No.	Price	Suffix No.	Price
3/4"	(0071)	STD	(0072)	\$10.50	(0073)	\$47.25	(0074)	\$8.40	(0075)	\$8.40
1"	(0101)	STD	(0102)	\$10.50	(0103)	\$47.25	(0104)	\$8.40	(0105)	\$8.40
1-1/4"	(0121)	STD	(0122)	\$14.70	(0123)	\$54.60	(0124)	\$9.45	(0125)	\$9.45
1-1/2"	(0151)	STD	(0152)	\$14.70	(0153)	\$54.60	(0154)	\$9.45	(0155)	\$9.45
2"	(0201)	STD	(0202)	\$15.75	(0203)	\$63.00	(0204)	\$10.50	(0205)	\$10.50
3"	(0301)	STD	(0302)	\$26.25	(0303)	\$78.75	(0304)	\$11.55	(0305)	\$12.60
4"	(0401)	STD	(0402)	\$37.80	(0403)	\$105.00	(0404)	\$12.60	(0405)	\$13.65
6"	(0601)	STD	(0602)	\$68.25	(0603)	\$311.85	(0604)	\$40.95	(0605)	\$43.05
8" and up	CF	CF	CF	CF	CF	CF	CF	CF	CF	CF

- (1) Additional seal materials (e.g. Kalrez®, Chemraz®, Silicone, Food Grade Seals, Low Temperature Seals) available. Consult factory.
- (2) For DSF Swivels, use the above prices and multiply by 2.

IMPORTANT: OPW products should be used in compliance with applicable federal, state, provincial, and local laws and regulations. Product selection should be based on physical specifications and limitations and compatibility with the environment and materials to be handled. OPW MAKES NO WARRANTY OF FITNESS FOR A PARTICULAR USE. All illustrations and specifications in this literature are based on the latest product information available at the time of publication. OPW reserves the right to make changes at any time in prices, materials, specifications and models and to discontinue models without notice or obligation.