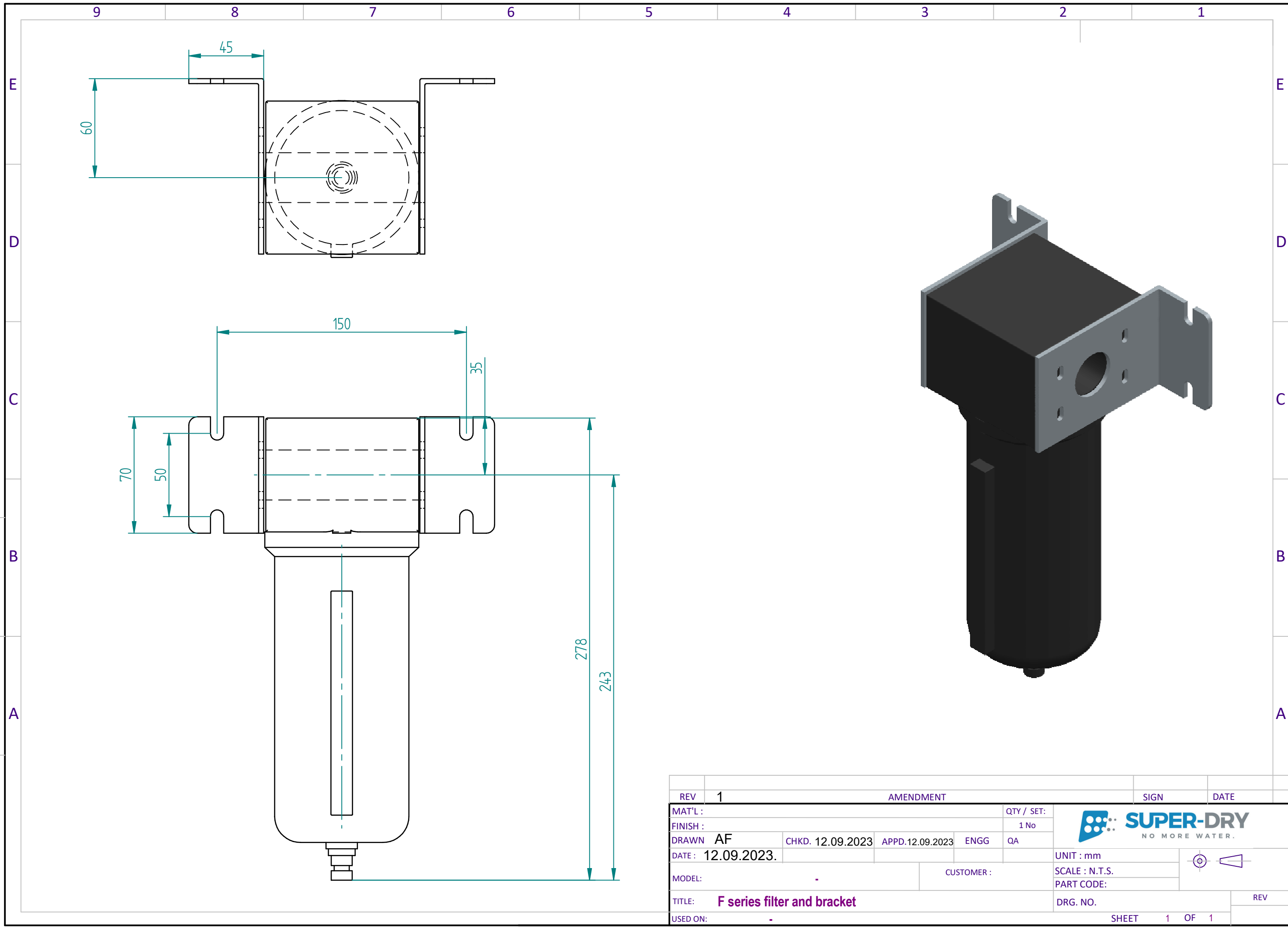


THIS DOCUMENT IS THE PROPERTY OF DESIGN PRODUCT REPRODUCTION OR USE WITHOUT PRIOR PERMISSION IS PROHIBITED

PDF.No. \_\_\_\_\_ DATED : \_\_\_\_\_



REV	1	AMENDMENT			SIGN	DATE
MAT'L :		QTY / SET:			1 No	
FINISH :		DRAWN AF			CHKD.	12.09.2023
DATE :	12.09.2023.	APPD.	12.09.2023	ENGG	QA	
MODEL :	-	CUSTOMER :			UNIT : mm	
TITLE :	F series filter and bracket			SCALE : N.T.S.	DRG. NO.	
USED ON :	-	SHEET			1	OF 1



FILE PATH :-