



Dear Customer,

We would like to thank you for choosing one of our products and congratulate you on what we believe to be a wise choice. These fine products are hand-crafted in Brazil from non-toxic materials of the finest quality and the filtration method used is entirely natural and environmentally friendly. If you follow the recommendations set out below, your filtration system will give you many years of drinking pleasure. Because of the evaporative properties of terracotta, the device will also cool your water and provide health benefits from using natural earthenware. You will be able to enjoy pure, cool, spring-fresh water at a very low cost for a long time to come. As an added benefit, we think that you will find that the unit adds a touch of elegance to your home or office.

LA NATURAL TERRACOTTA WATER FILTER COOLER

IMPORTANT INSTRUCTIONS FOR CARE AND MAINTENANCE

PREPARING FOR USE

There will be five components in the box, a terracotta base with pre-installed tap, a filter container, filter candles and a lid. Carefully unpack these items from the box.

Because the base is made of terracotta earthenware, you can expect your water to initially taste “earthy”.

To remove earthy taste from the water in the dispenser, there are two options:

1. Best: Totally submerge entire terracotta portion in tap water; add 1 cup of apple cider vinegar to water and soak overnight. Remove and dry out for one

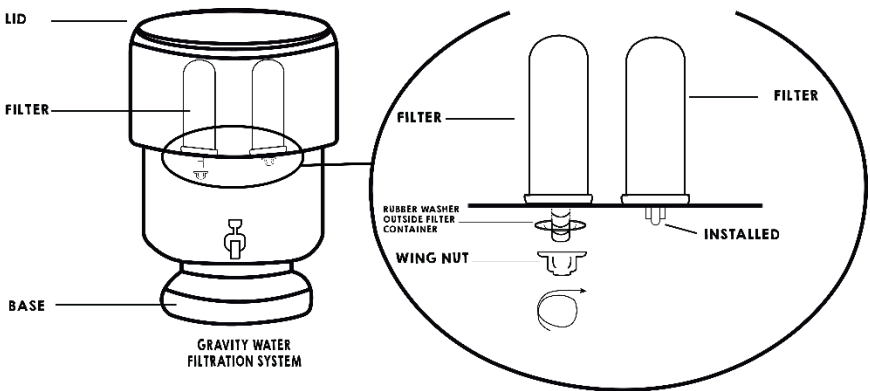
hour; sample water for earthy taste; if still lingers repeat. If earthiness comes back, repeat step one.

2. Soak overnight while totally submerged in tap water with a fresh squeezed lemon; check water taste and repeat if necessary.

Although this seems like a lot of preparation, the taste of the water and the health benefits will be worth it. Your system is now ready for assembly.

ASSEMBLY INSTRUCTIONS

The diagram below is a line drawing of the La Natural Terracotta Water Filtration system.



- 1) Place the BPA free plastic water filter container on its side on a soft cloth.
- 2) Remove each filter from their box and unscrew the wing nuts and removing the washers as well unless already loose in the box.
- 3) Insert the thread of each filter through the holes in the filter container, place washer over thread and tighten firmly with wing nut, holding the base of the filter candle not the ceramic part.
- 4) Carefully place filter container onto the top opening of the terracotta base.
- 5) Fill with water to the top of filter container and place lid on top of the filter container.

Run several batches of filtered water through the system but don't throw it away, use it on plants and to water your pets. All done! Enjoy drinking water the way nature intended (sometimes it is advisable to place a brand-new filter upside down in a glass of water to soak for a few hours, before installation, to increase the rate of flow).

note: If you have been using a plastic filter jug to filter your water, you will notice that ours flows much more slowly. This is because the filter is so fine (2 micron); just one of the reasons why independent laboratory tests have shown our water filtration to be so efficient. You can expect after ¼ gallon per filter per hour after preparing for use.

FRAGILITY

The water filter system is relatively sturdy, by earthenware standards, but you should bear in mind that is made of terracotta and handle, transport, and position it accordingly.

POSITIONING THE SYSTEM

The terracotta system will self-cool the water due to a natural evaporative process that's cools the water as it slowly evaporates thru the porous terracotta. This natural effect has been used by our ancestors for over a century. To maximize this effect place in a well aerated place, and not in direct sunlight. Ideally, it is best placed in front of an open window, as the airflow tends to enhance the cooling process.

DISPENSING AND REPLENISHING WATER AMOUNTS

Before dispensing water from the gravity unit, always replace same amount into upper reservoir. This will insure a constant water level in lower unit and eliminate possible running out of water and/or overflowing.

REMEMBER; REPLACE BEFORE YOU DISPENSE.

CARE OF THE FILTER CANDLE

As impurities in the water are trapped in the porcelain outer layer of the candle, the flow of water will become restricted. This is an indication that the candle needs cleaning. The frequency of cleaning will depend on the amount of use and the condition of the water supply. To clean the candle remove it from the unit and scrub the whole surface with a 3M scotch brite pad or toothbrush, while holding it under gently running water. Do not use soap or detergents to clean the candle. Occasionally, an airlock may occur inside the

candle, causing it to fill very slowly or to stop flowing altogether. This can usually be rectified by removing the candle and shaking it vigorously. The activated charcoal inside the candle will eventually become saturated and therefore no longer able to remove unpleasant tastes and odors from the water. This is an indication that the filter candle needs changing. Each filter candle should last six months to a year depending on use and water quality. Replacement filter candles are readily available from www.epicwater.com.

CARE OF THE FILTER UNIT

The filter system should be cleaned regularly to ensure that it works effectively and remains in a pristine condition. Natural evaporation, taking place through the terracotta, makes the filtration unit feel cool and at times moist to the touch. Natural salts in the water (calcium salts) may precipitate on the outside of the terracotta and can build up over time. In addition, household dust can be attracted to the outer surface, resulting in an unsightly appearance. To prevent this and to guard against mildew you can use a lemon or small amount of citric acid and water can be applied regularly to the outside surface, on a clean, dry sponge. You should not do this before carrying out the “preparing for use” process. **DO NOT SCRUB THE OUTSIDE WITH A HARD BRUSH OR ABRASIVE SCOURING PAD.**



Epic Water Systems, 1916 CR 1222, Box 240, Grand Saline, TX 75140

903-962-3079

www.epicwater.com

info@epicwater.com