


# ***BIG DUCK***



# **Product Catalogue**

A white inflatable boat with a motor is on a sandy beach. The boat has "BIG DUCK" written on it. The background is a body of water.

3.....	About Big Duck
4.....	Materials
5.....	Research & Development
6.....	Testimonials
7.....	2.3m Dinghy
8.....	3.3m Dinghy
9.....	Dinghy Specifications
10.....	9'6" SUP
11.....	11'6" SUP
12.....	SUP Specifications
13.....	3.2m Kayak
14.....	4.2m Kayak
15.....	Kayak Specifications
16.....	Accessories
17.....	Global Distribution
18.....	After Sale Support

Big Duck Inflatables was founded in 2015 by two brothers from the Gold Coast, Australia. Both grew up sailing, surfing, fishing, diving and enthusiastically partaking in almost every water sport you can name.

Our director sparked his interest in boating and water-sports at age 12. His first vessel was a 2.1m inflatable dinghy, featuring a 6hp outboard. The hundreds of hours spent exploring the Gold Coast's iconic Broadwater developed an interest that is still strong today.

This passion for all things that float, lead to competitive sailing in Olympic class dinghies such as the 49er skiff and the Laser 1-up. From there, opportunities extended to racing aboard the world-famous super-maxi Wild Oats XI.

Big Duck is built from a wealth of knowledge and experience with high-quality products, research and development. This ethos is applied to all tasks our team encounters on a daily basis.

Our priorities are providing the best possible purchasing experience for each and every customer. This includes the quality of a product, the fulfilment of that product and of course the highest level of customer service.

Please don't hesitate to get in touch with a member of our team to discuss your interests.

- Big Duck Team

# MATERIALS

Big Duck Inflatables are proud to have partnered with leading material suppliers in the industry. Our new and proven technology that combines GoreTex and an epoxy sandwich means that your investment will perform better, last longer and stand the test of time.

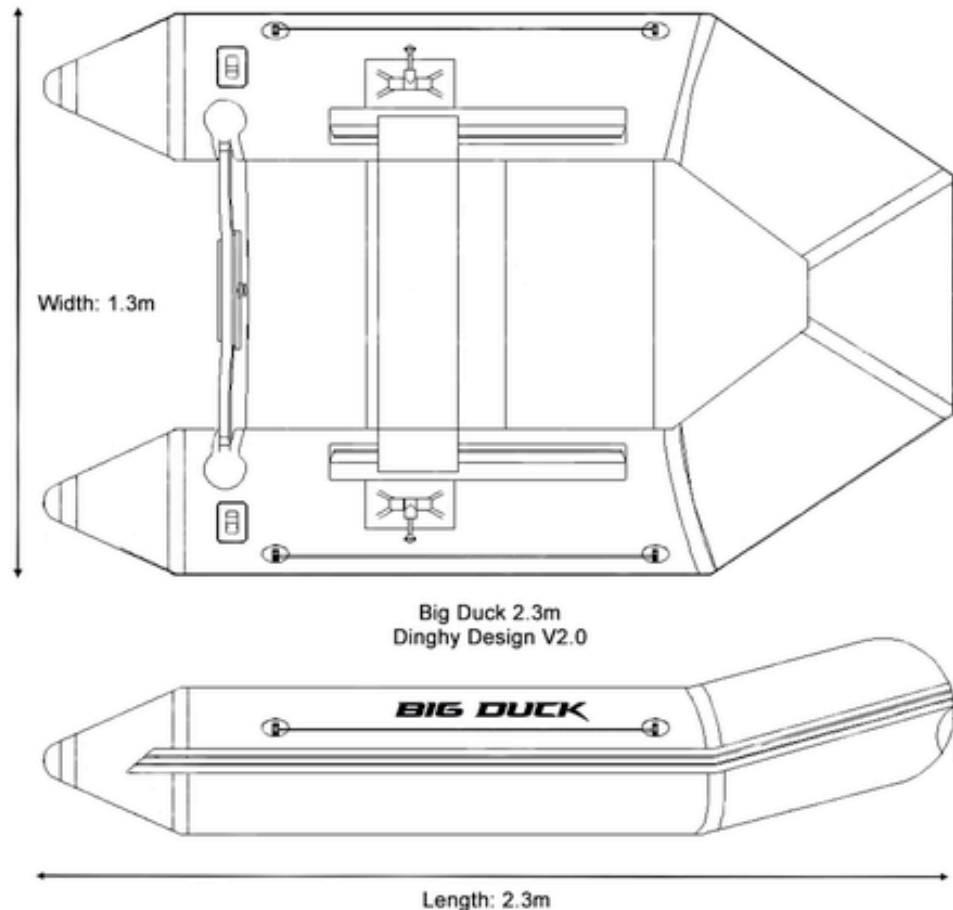
Enjoy a low maintenance product that requires minimal upkeep, maximising your enjoyment.



With over thirty years of combined experience on the water, our development team has perfected our designs for optimal performance.

Careful choices of materials and textures combines with our tried and tested materials reduce colour fading and premature wearing.

# RESEARCH & DEVELOPMENT



With a background in product development, advancements in design and production are just the beginning of Big Duck's efforts to optimise each product.

The Big Duck hull designs are drafted in our Australian design studios. Being hands-on with the product allows the design team to make incremental improvements over time, while always listening to customer feedback.

Significant efforts are involved as part of our research and development, including the multiple design iterations that are trialled for each model. Shown left, the V2.0 of our 2.3m Inflatable Dinghy 2D drawings completed back in 2015 before beta testing.

Big Duck is fortunate to have a dedicated and qualified engineer on staff who assists with all design and structural elements.

# TESTIMONIALS

*“Strong and sturdy! Best dinghy I've owned so far! I've always been on the water as long as I can remember and the tenders, I had would always go saggy and flat or get discoloured... Not my Big Duck! It's going strong at 6 months old and handles life in Morten Bay well.” – Joey, Big Duck 2.3m Dinghy owner.*



*“First board. I'm not a confident surfer or sup rider, I've only used them for hire in various locations or on holiday. My friend suggested I get one of these after I had a turn on hers and after cruising around for a little while I was hooked! The board is really easy to inflate and take no time at all, plus the shipping and delivery was only a couple of days. Watch out for me on the water!” – Robin, Big Duck 9'6" SUP owner.*



*“Never been easier to get out and on the water! I've had my kayak for just a couple weeks now and I'm already back to order a 2nd one. My wife was jealous of all the time I've spend out on the water than she's made me get her own to follow me around in. Very affordable so I was able to order a 2nd kayak recently. Thank you.” – Frankie, Big Duck 3.2m Kayak owner.*



*“A great work horse. I work for an independent fisheries surveying company and needed a smaller boat to get up into mangrove sections of SEQ. The RIB we have was just too big and so a smaller more agile boat was needed. It's been a real asset ever since, powered by a four stroke 9HP motor which gives it a very quick plaining time out on the channels.” – Willis, Big Duck 3.3m Dinghy*



*“Look no further. I contacted Big Duck to assist me with selecting the best size SUP and they helped me settle on the 11'6". So far it's been a great board, very practical with its deflating capability and back pack for storage or transporting.” – Harley, Big Duck 11'6" SUP owner.*



*“The perfect vessel for me! Embracing my location in the world (near the water) is a true pleasure with affordable options like this. I financed my kayak through Zip payments and have been paying it off at my own pace lately. It's a great option if you're studying and want something to do on holidays in between work shifts!” – Tarik, Big Duck 4.2m Kayak owner.*



# **DINGHIES** Model: 2.3m

Length:  
2.3m /  
7.5 ft.

Beam:  
1.3m /  
4.3 ft.

Capacity:  
3 x people /  
300kg



Get out onto the water with a compact, yet spacious and capable inflatable. The 2.3m Inflatable Dinghy boasts amazing manoeuvrability and nimble responsiveness.

Featuring our tried and tested hull design and long-lasting materials, this vessel is guaranteed to stand the test of time while performing to the highest level.

#### **Includes:**

- Inflatable Dinghy
- Aluminium Folding Floor
- Oars x 2
- Carry Bag
- High-Pressure Foot Pump
- Repairs Kit
- 12-month Warranty



# **DINGHIES** Model: 3.3m

Length:  
3.3m /  
10.8 ft.

Beam:  
1.58m /  
5.1 ft.

Capacity:  
5 x people /  
500kg



Step aboard our most popular model, the 3.3m Inflatable Dinghy; A work horse for some, a family craft for others. Built to handle up to five people, (or 500kg), the 3.3m Big Duck can be used for a wide variety of applications.

With two passenger seats and our much-loved aluminium folding floor, your guests will be comfortable and well-supported in this sturdy craft.

#### **Includes:**

- Inflatable Dinghy
- Aluminium Folding Floor
- Oars x 2
- Carry Bag
- High-Pressure Foot Pump
- Repairs Kit
- 12-month Warranty



# **BIG DUCK**



## Full Specifications

### 2.3m Dinghy



### 3.3m Dinghy



Length	2.3m / 7.5 ft.
Width / Beam	1.32m / 4.3 ft.
Max Persons / Capacity	3 People / 300kg / 660 lbs
Max HP / Motor Size	6HP Outboard
Hull Material / Construction	GoreTex / High-Grade Epoxy Sandwich
Floor Type	Aluminium 3 Piece
Folded Dimensions	90cm x 65cm x 45cm approx.
Warranty	12 Months
Intended Usage	Recreational Use
Weight	40kg
Age Limit	12+

Length	3.3m / 10.8 ft.
Width / Beam	1.58m / 5.1 ft.
Max Persons / Capacity	5 People / 500kg / 1100 lbs
Max HP / Motor Size	15HP Outboard
Hull Material / Construction	GoreTex / High Grade Epoxy Sandwich
Floor Type	Aluminium 3 Piece
Folded Dimensions	100cm x 75cm x 50cm approx.
Warranty	12 Months
Intended Usage	Recreational Use
Weight	50kg
Age Limit	12+

# **SUP's** Model: 9'6"

Length:  
9'6" /  
274cm

Width:  
30" /  
76cm

Volume:  
180L  
Thickness:  
4"

When the water is *calling* you and you need to get away from the world, there's no better way to escape than on the 9'6" Big Duck SUP.

Designed to be an 'All Rounder,' our Stand Up Paddle Board design suits riders of all capabilities. With quick and easy inflation, you'll be out on the water in no time.

## **Includes:**

- Inflatable Stand Up Paddle Board
- Adjustable Paddle
- 10' Leg Rope
- High-Pressure Hand Pump
- Carry Backpack
- Repair Kit
- Storage Bungee
- 12-month Warranty



# **BIG DUCK**

# **SUP's** Model: 11'6"

Length:  
11'6" /  
335cm

Width:  
30" /  
76cm

Volume:  
210L  
Thickness:  
4"

For gentle cruises down an estuary, gliding across lakes or even catching a peeler at a point break, the 11'6" Big Duck SUP is the most comfortable design and shape that we've ever made. Sturdy and stable, complete with a 2 + 1 fin combination, our SUP's come with everything you need.

Featuring enough volume for riders up to 110kg, this SUP is suitable for the whole family.

## **Includes:**

- Inflatable Stand Up Paddle Board
- Adjustable Paddle
- 10' Leg Rope
- High-Pressure Hand Pump
- Carry Backpack
- Repair Kit
- Storage Bungee
- 12-month Warranty



# **BIG DUCK**

## Full Specifications

### 9'6" SUP



Length	9'6" / 274cm
Width / Beam	30" / 76cm
Volume	180L
Thickness	4" / 10cm
Hull Material / Construction	Gore-Tex /High-Grade Epoxy Sandwich
Rocker	Medium Entry
Rail Type	Medium
Fins	2 + 1
Tail Shape	Round
Skill Level	Beginner-Intermediate
Warranty	12 Months

### 11'6" SUP



Length	11'6" / 335cm
Width / Beam	30" / 76cm
Volume	210L
Thickness	4" / 10cm
Hull Material / Construction	Gore-Tex /High-Grade Epoxy Sandwich
Rocker	Medium Entry
Rail Type	Medium
Fins	2 + 1
Tail Shape	Round
Skill Level	Beginner-Intermediate
Warranty	12 Months

# KAYAKS

Model: 3.2m

Whether you're an adventurer or a keen angler, the most comfortable and practical way out onto the water is by kayak. The Big Duck 3.2m kayak takes positive attributes from both our dinghies and also our SUP's.

With the stability of our dinghies and the compact practicality of our SUP's, there is no better combination available for water-related activities.

#### Includes:

- Inflatable Kayak
- Twin Tip Paddle
- Ergonomic Padded Seat
- Carry Bag
- High-Pressure Foot Pump
- Repairs Kit
- 12-month Warranty

Length:  
3.2m /  
10.4 ft.

Width:  
95cm /  
3.1 ft.

Capacity:  
1 x person /  
100kg



# BIG DUCK

# KAYAKS

Model: 4.2m

Manufactured by popular demand, an extended version of our smaller kayak, the 4.2m Big Duck kayak suits two passengers for any and all purposes.

With an extra set of hands, the options to explore further and farther is now a comfortable and pleasant experience aboard this reliable craft.

#### Includes:

- Inflatable Kayak
- Twin Tip Paddle x 2
- Ergonomic Padded Seat x 2
- Carry Bag
- High-Pressure Foot Pump
- Repairs Kit
- 12-month Warranty

Length:  
4.2m /  
13.7 ft.

Width:  
95cm /  
3.1 ft.

Capacity:  
2 x people /  
160kg



# BIG DUCK

## Full Specifications

### 3.2m Kayak



Length	3.2m / 10.4 ft.
Width / Beam	95cm / 3.1 ft.
Height	40cm / 1.3 ft.
Paddle Length	132cm / 4.3 ft.
Hull Material / Construction	Gore-Tex /High-Grade Epoxy Sandwich
Warranty	12 Months
Weight Limit	100kg / 220 lbs
Folded Dimensions	55cm x 30cm x 30cm approx.
Intended Usage	Recreational Use
Net Weight	14kg / 30 lbs
Age Limit	12+

### 4.2m Kayak



Length	4.2m / 13.7 ft.
Width / Beam	95cm / 3.1 ft.
Height	40cm / 1.3 ft.
Paddle Length	132cm 4.3 ft.
Hull Material / Construction	Gore-Tex High-Grade Epoxy Sandwich
Warranty	12 Months
Weight Limit	160kg / 350 lbs
Folded Dimensions	60cm x 35cm x 30cm approx.
Intended Usage	Recreational Use
Net Weight	16kg / 35 lbs
Age Limit	12+

# ACCESSORIES



Hand Pumps



Foot Pumps



Repair Kits



Leg Ropes



Paddles



Fins



# GLOBAL DISTRIBUTION

Below, an infographic explains how our global distribution strategy operates, including the locations of our three warehouses. These are the warehouses that receive, hold, pack and dispatch our products directly to our customers. Our unique distribution methods remove any possible importing or duty-related headaches for our customers.



# AFTER SALE SUPPORT

At Big Duck, we're proud to handle all aspects of day to day operations in house.

Manufacturing



Quality Control



Enquiry



Shipping & Delivery



Acquiring Feedback



Customer Satisfaction



If you have any questions about our prices or our products, please don't hesitate to get in touch with one of our friendly staff members and we'll get back to you within one business day.



<https://bigduck.com.au/pages/contact>



<https://big-duck.com/pages/contact>



**BIG DUCK** 