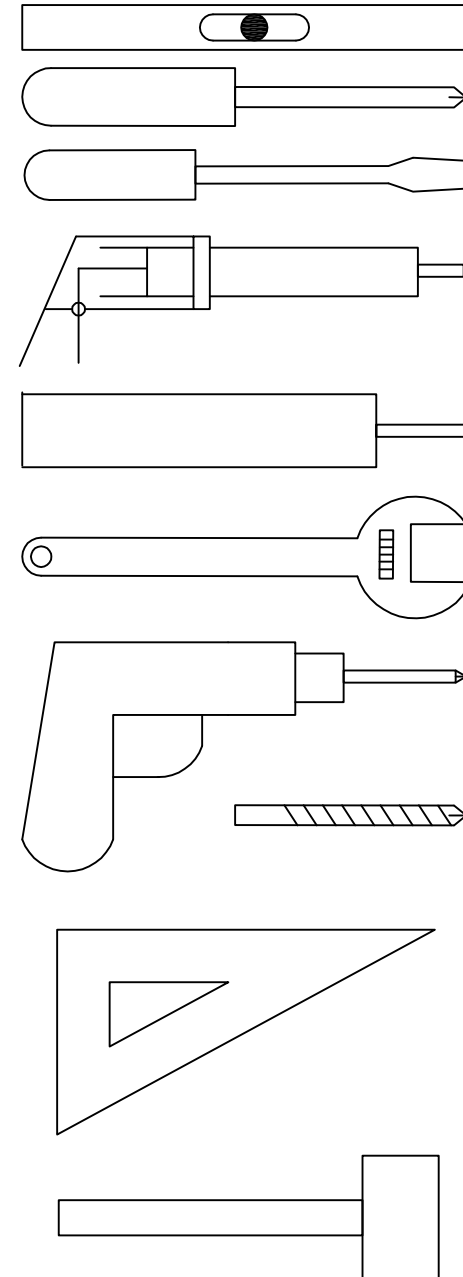
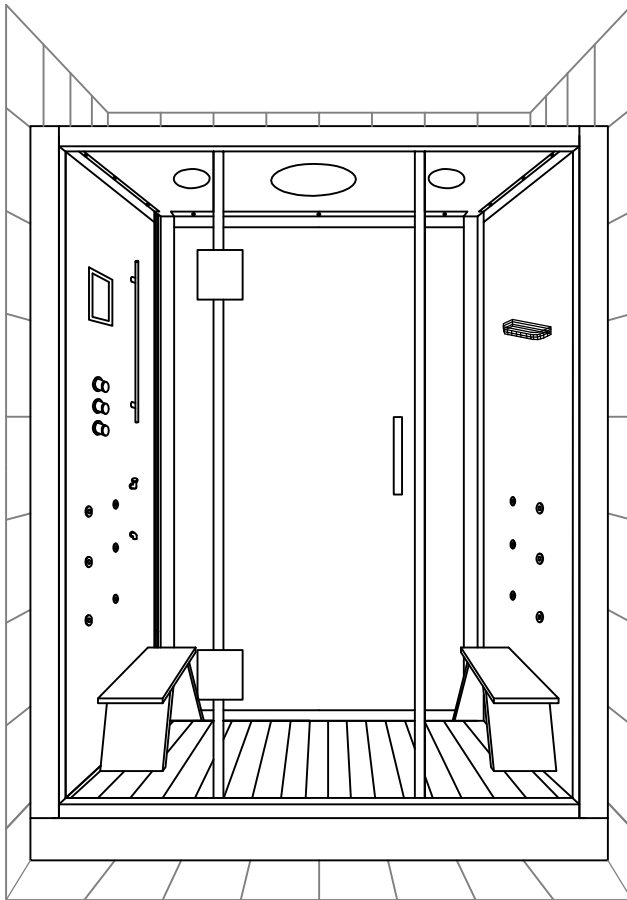


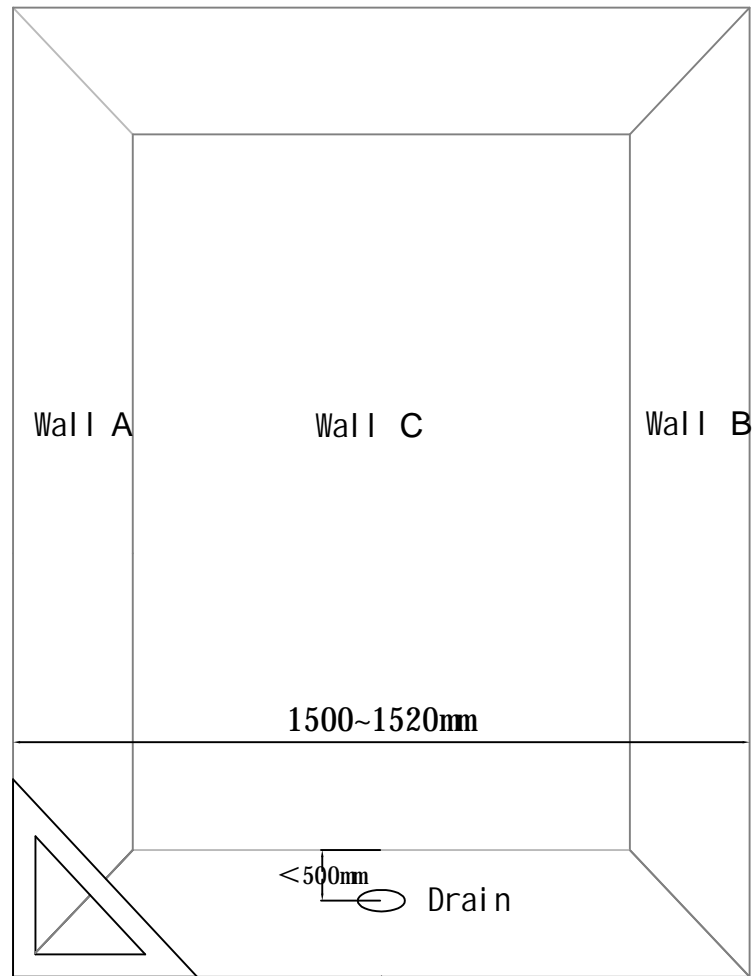
Installation Instruction

WS112/W . WS112-1/W . WS112-2/W



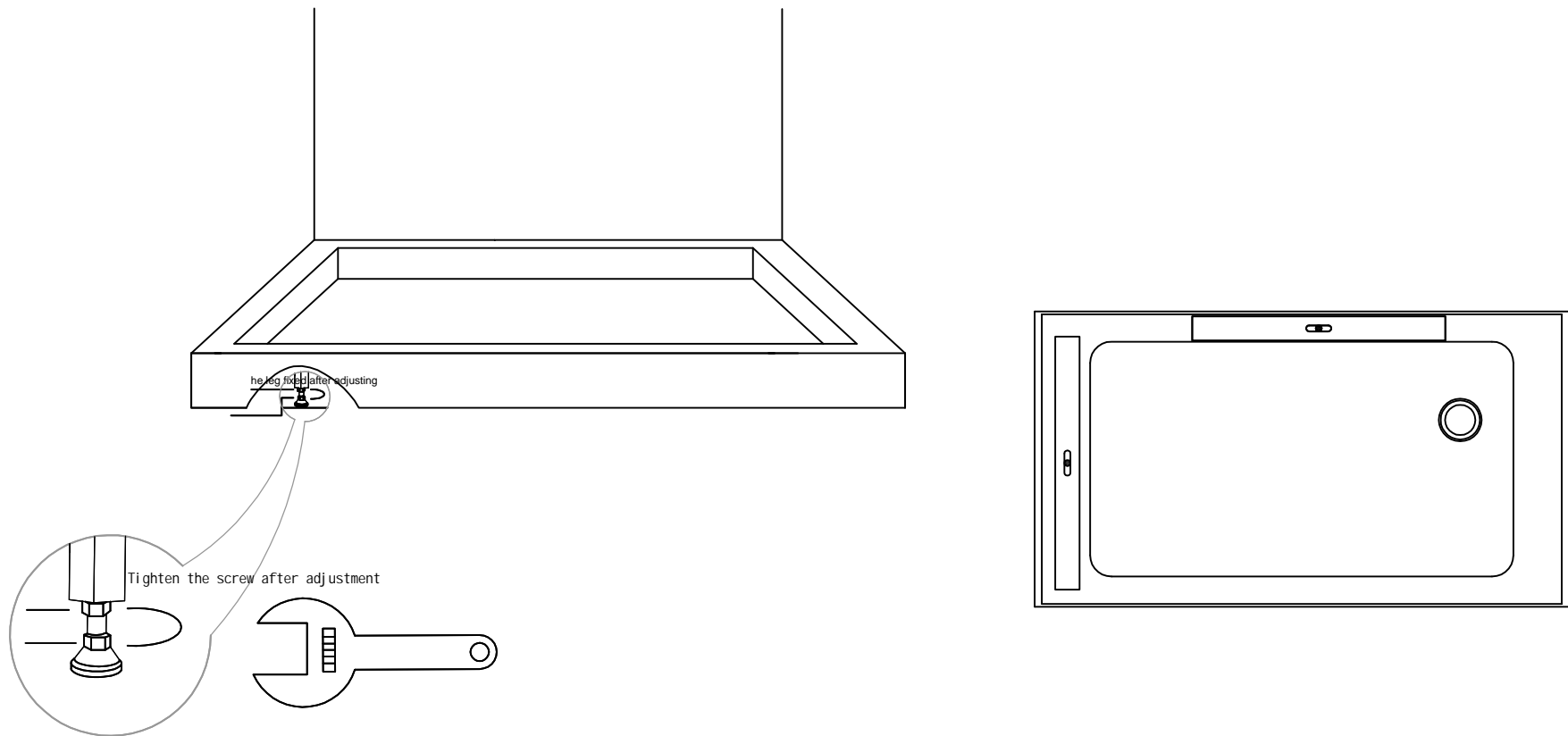
1

1.Tools:1.Gradienter、2.Screwdriver、3.Silicone Gun、4.Silicone、
5.Spanner、6.Electric drill、7.φ9 Aiguille、8.Triangle rule、9.Hammer

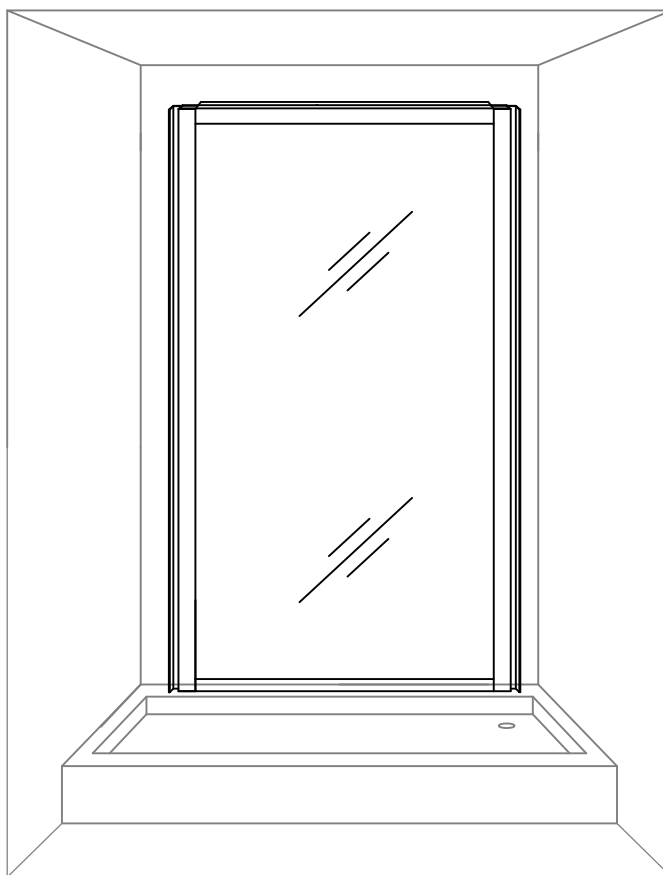


2. Installation place required

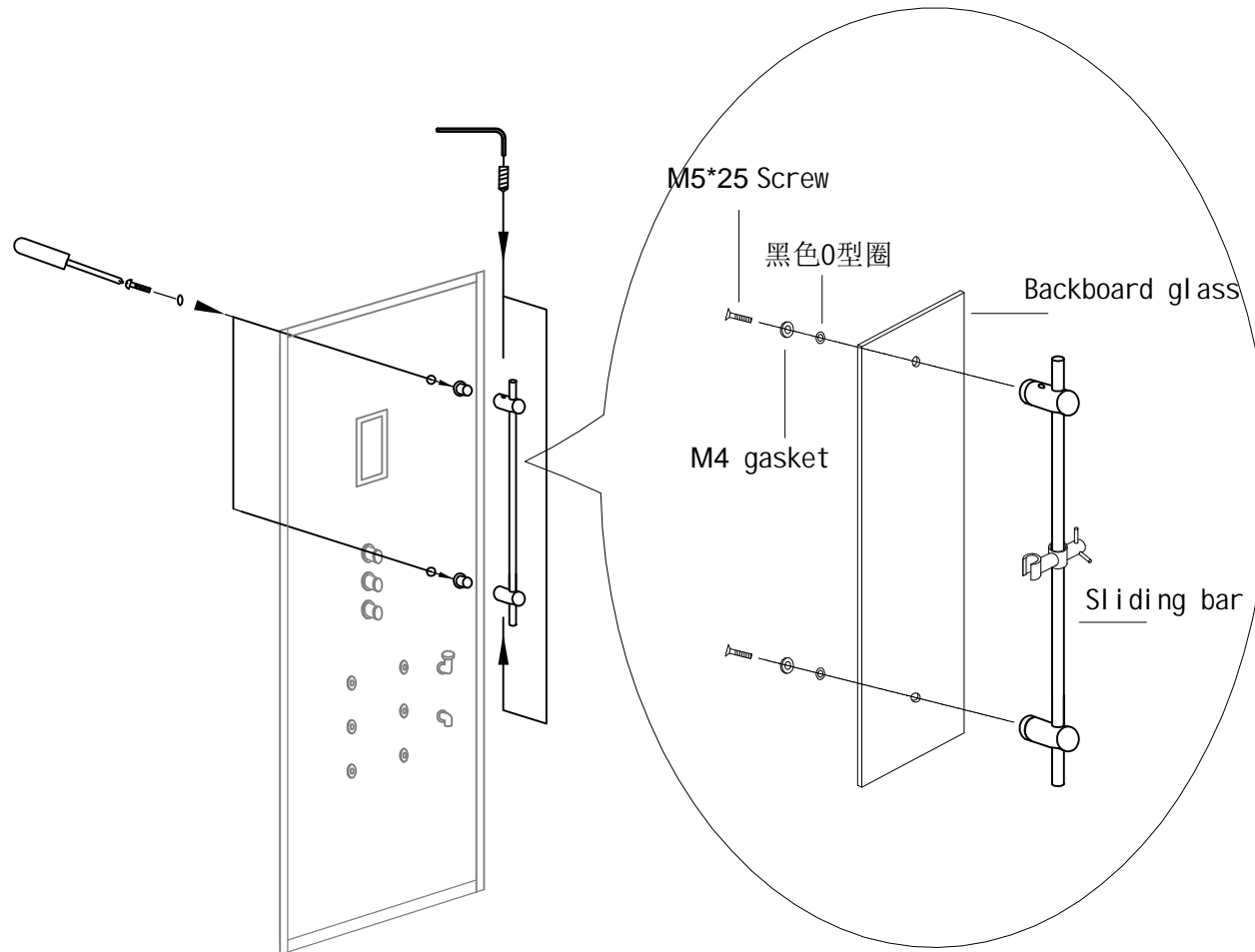
The distance between Wall A and Wall B should be more than 1500mm. The parallel error between Wall A and Wall B from bottom to 2000mm height should be less than 10mm. If it's bigger than 10mm, please correct the wall. The distance between floor drain and Wall C should be less than 600mm.



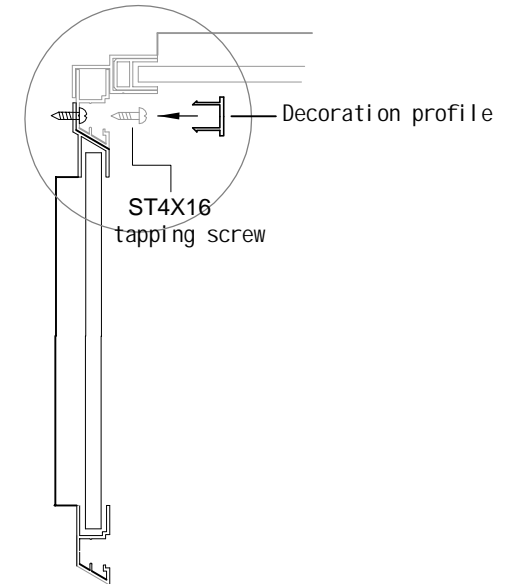
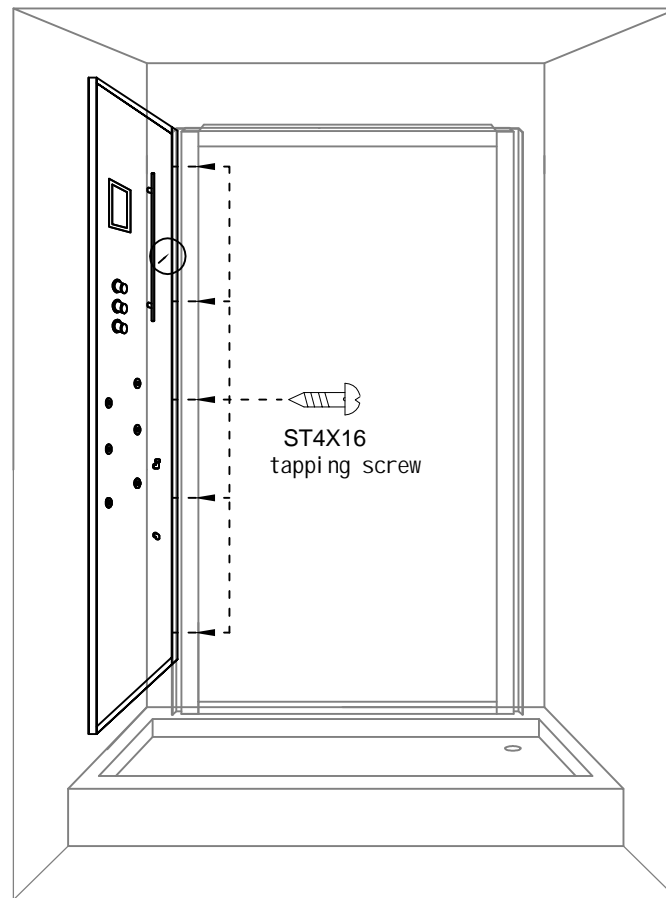
3. Adjust the shower tray: Insert the waste water pipe into the drain. Then adjust the foot of shower tray to keep the shower basin surface horizontal and perpendicular to the wall.



- 4.①Put the shower tray to the installation place;
②Put the glass of backboard against the wall.

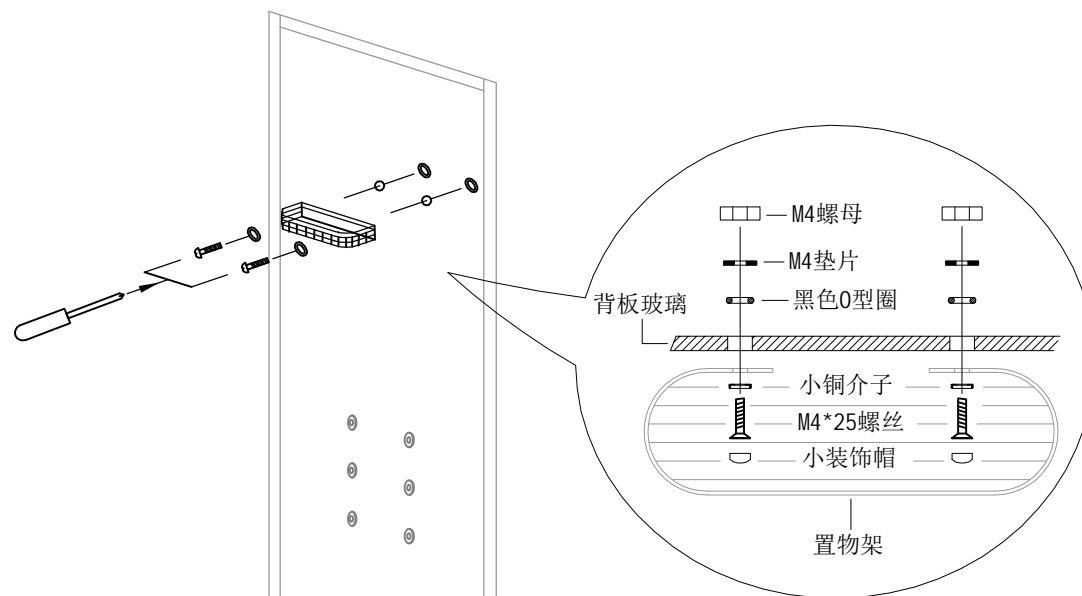


5. Install the sliding bar on the technical panel glass.

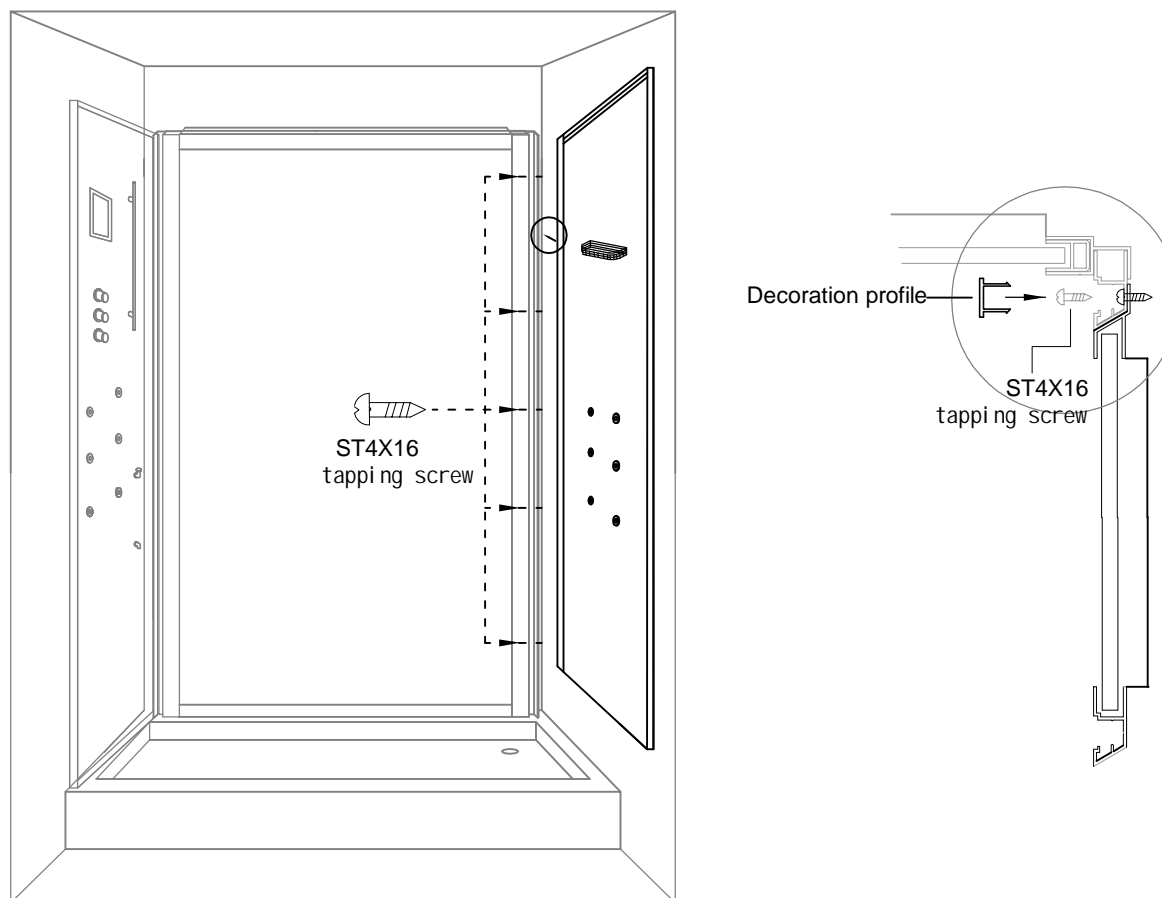


6. Install technical panel

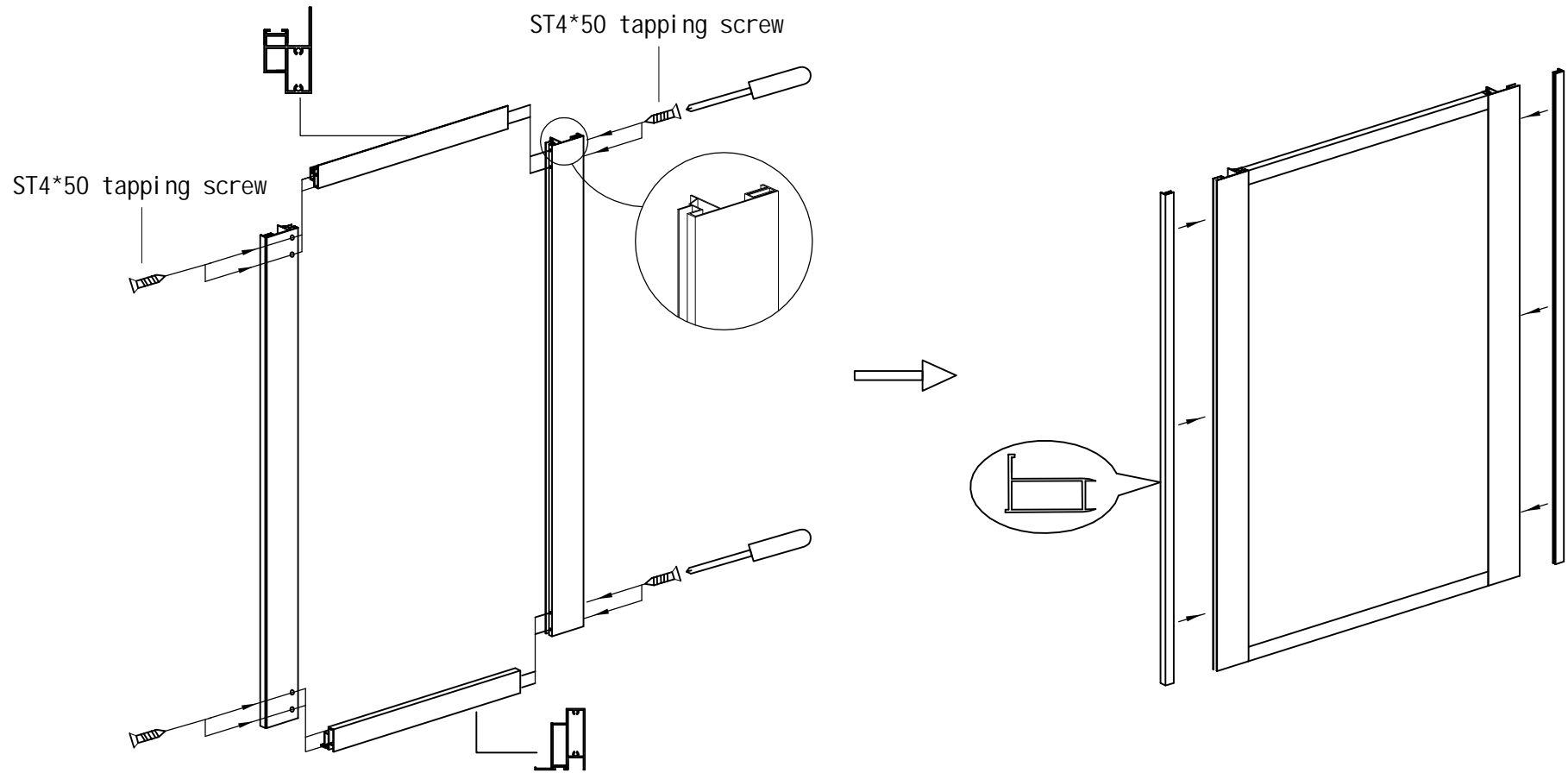
- ① Connect water and power supply.
- ② Insert the steam engine waste water pipe into the drain.
- ③ Connect the earth wire to the ground or wall.



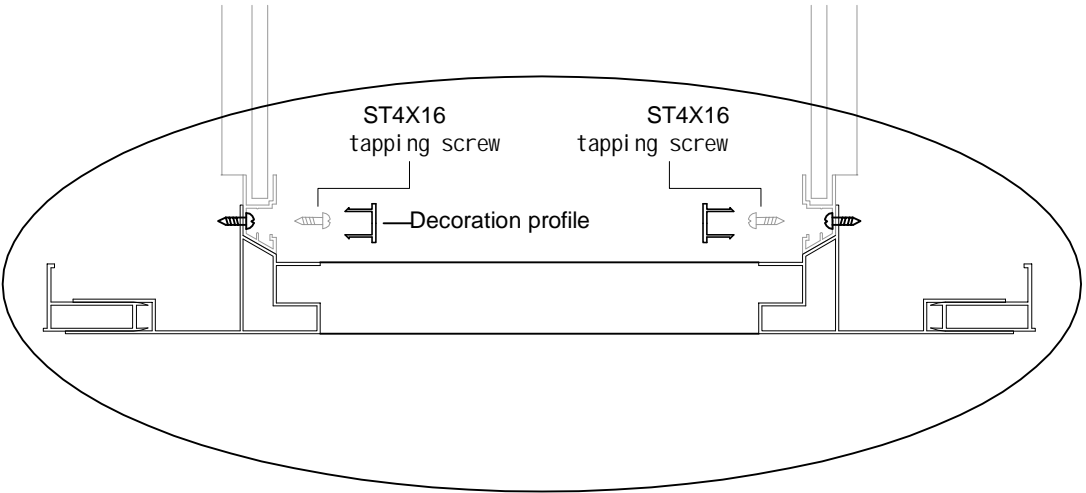
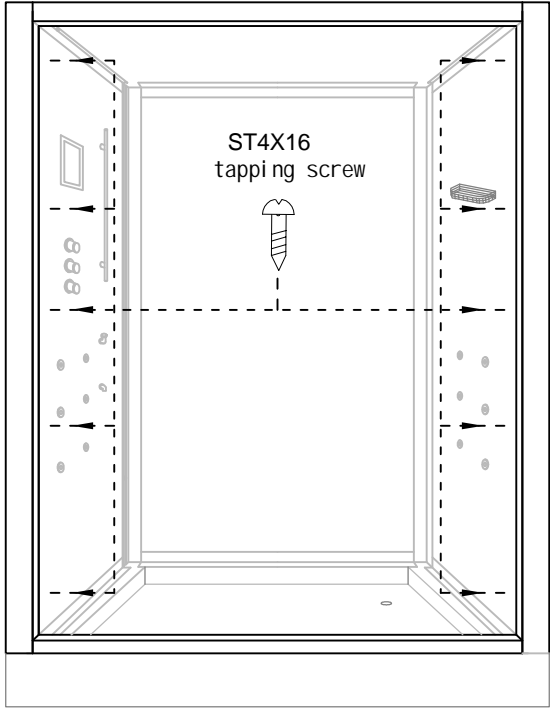
7.在右侧背板玻璃安装置物架



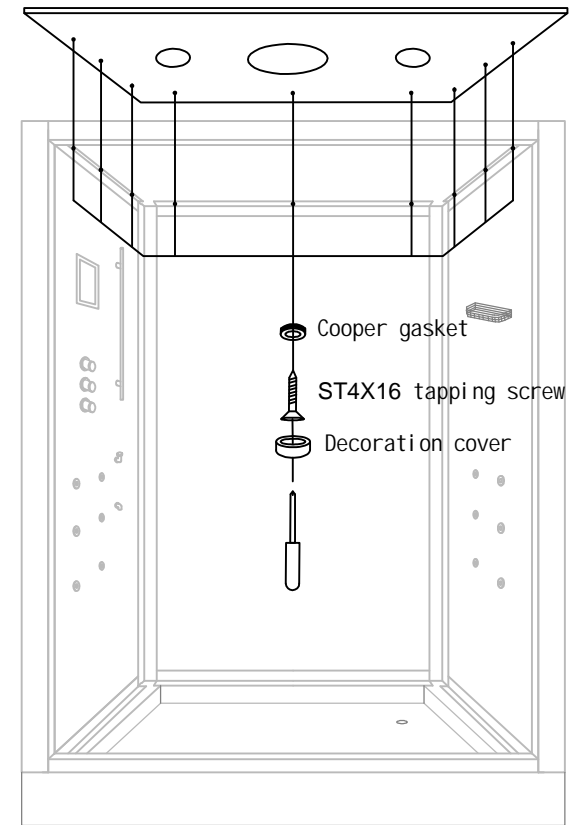
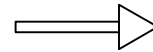
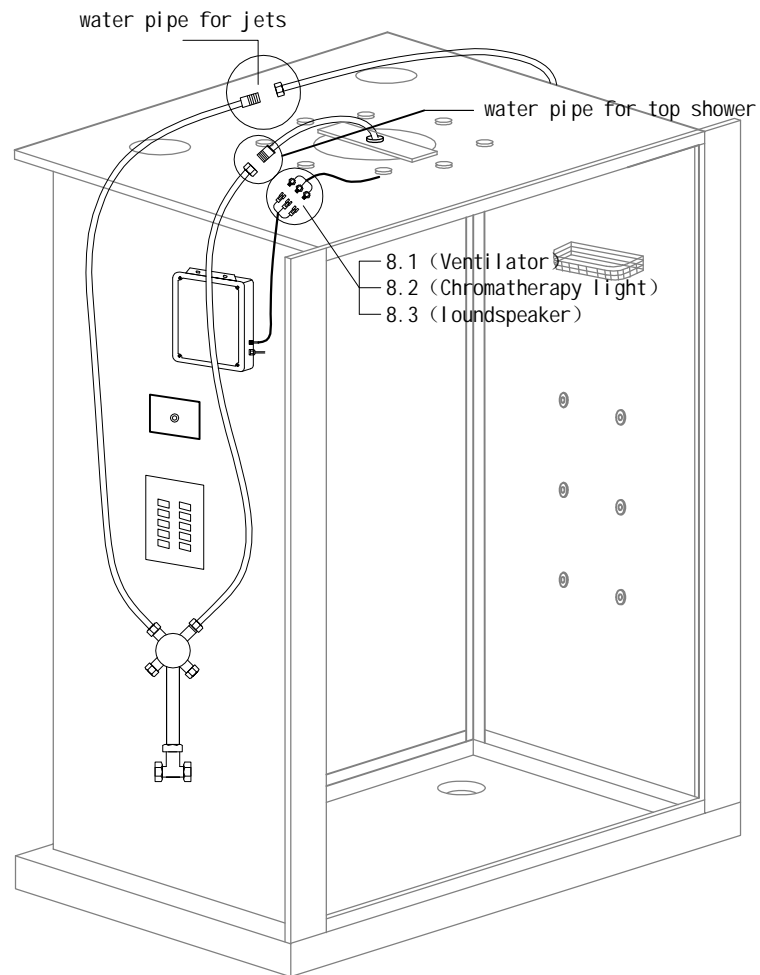
8. Install the backboard glass with shampoo holder.



9.Assemble the front frame profile.

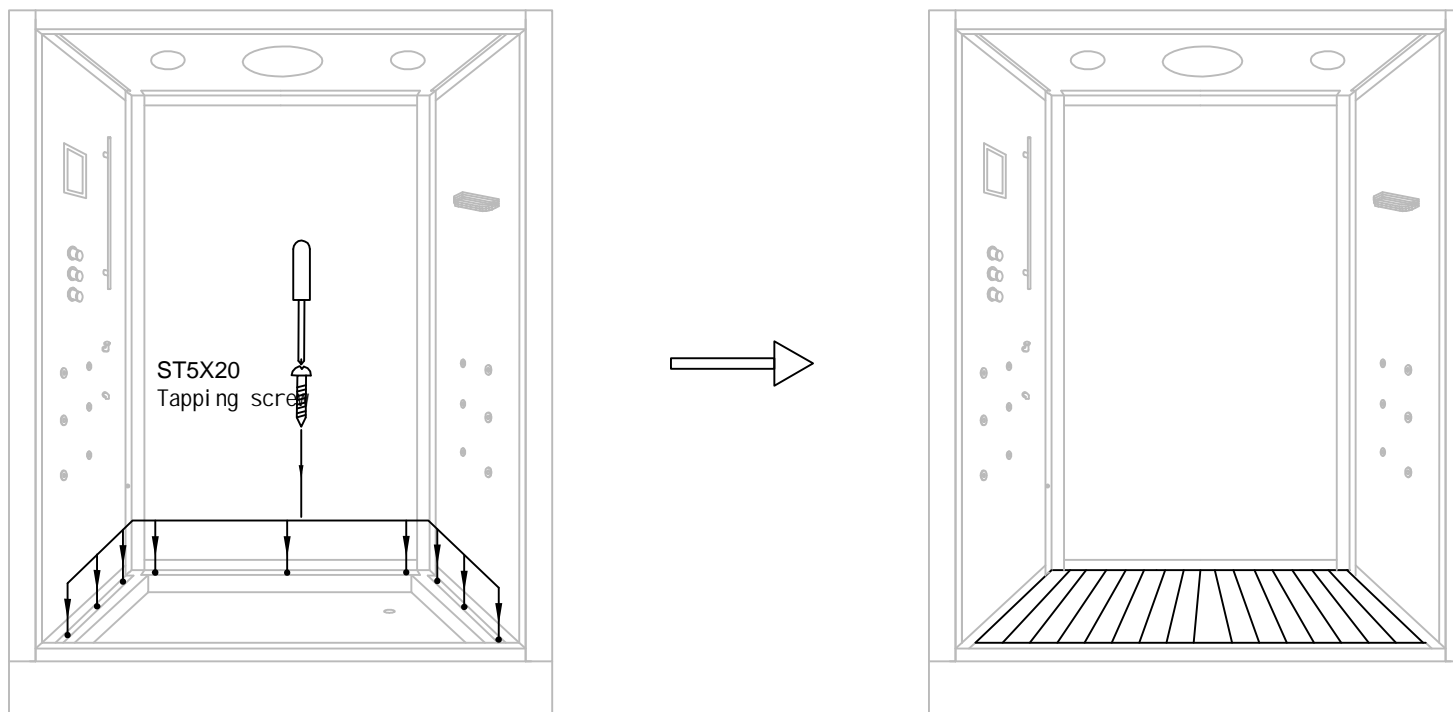


10. Install the frame.

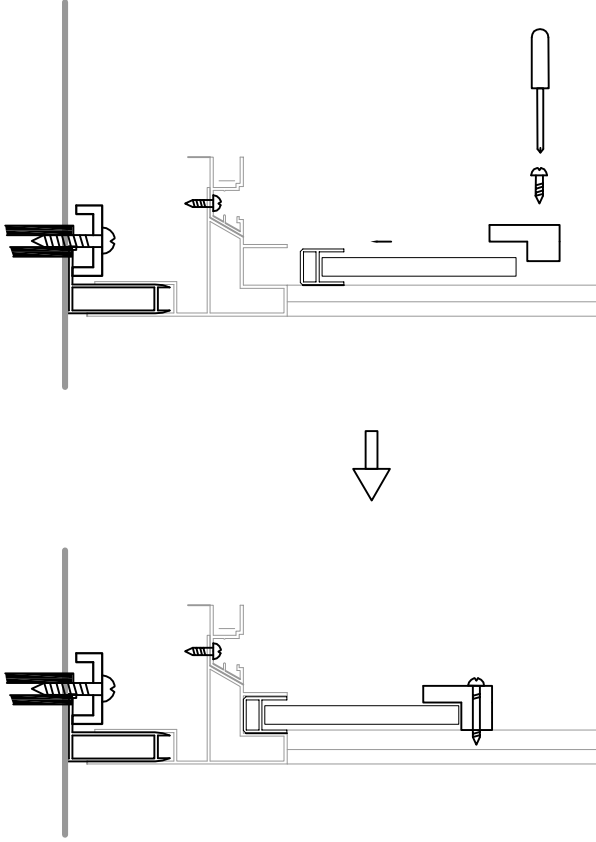
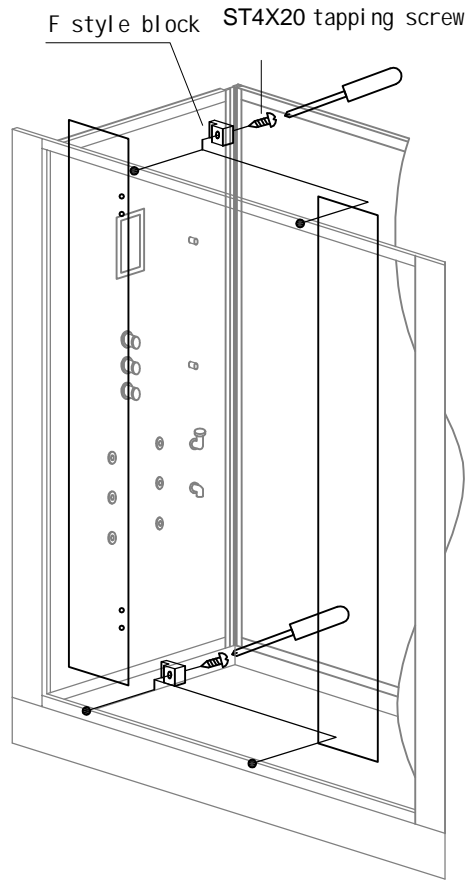


12. Install the roof:

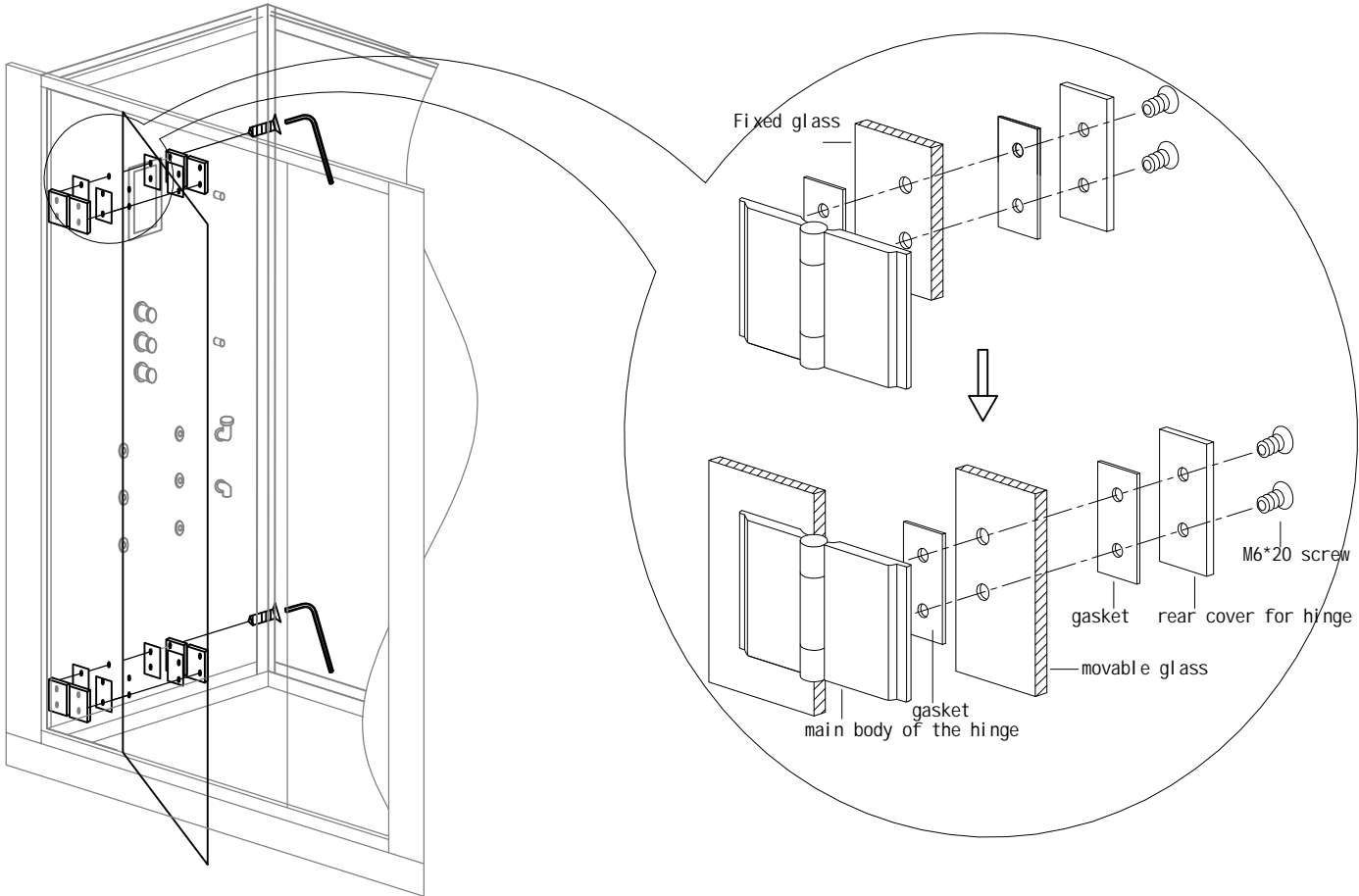
- Connect the water pipe and electric wire;
- Fix with tapping screws and install the decoration cover.



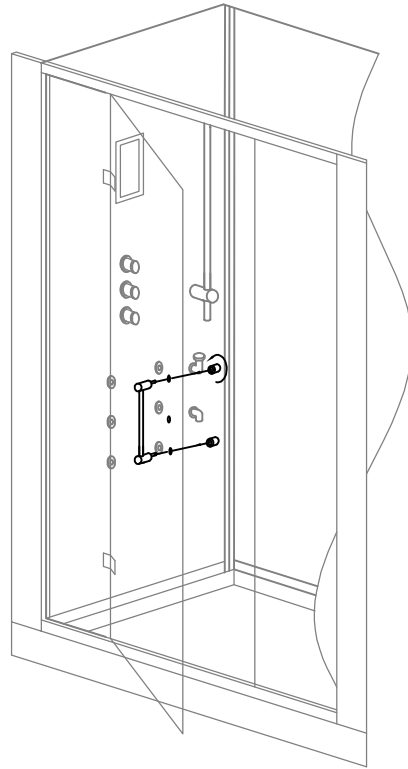
- 12.①Fix the backboard on the shower tray with ST5*20.
②Put the shower grid into the cabin.



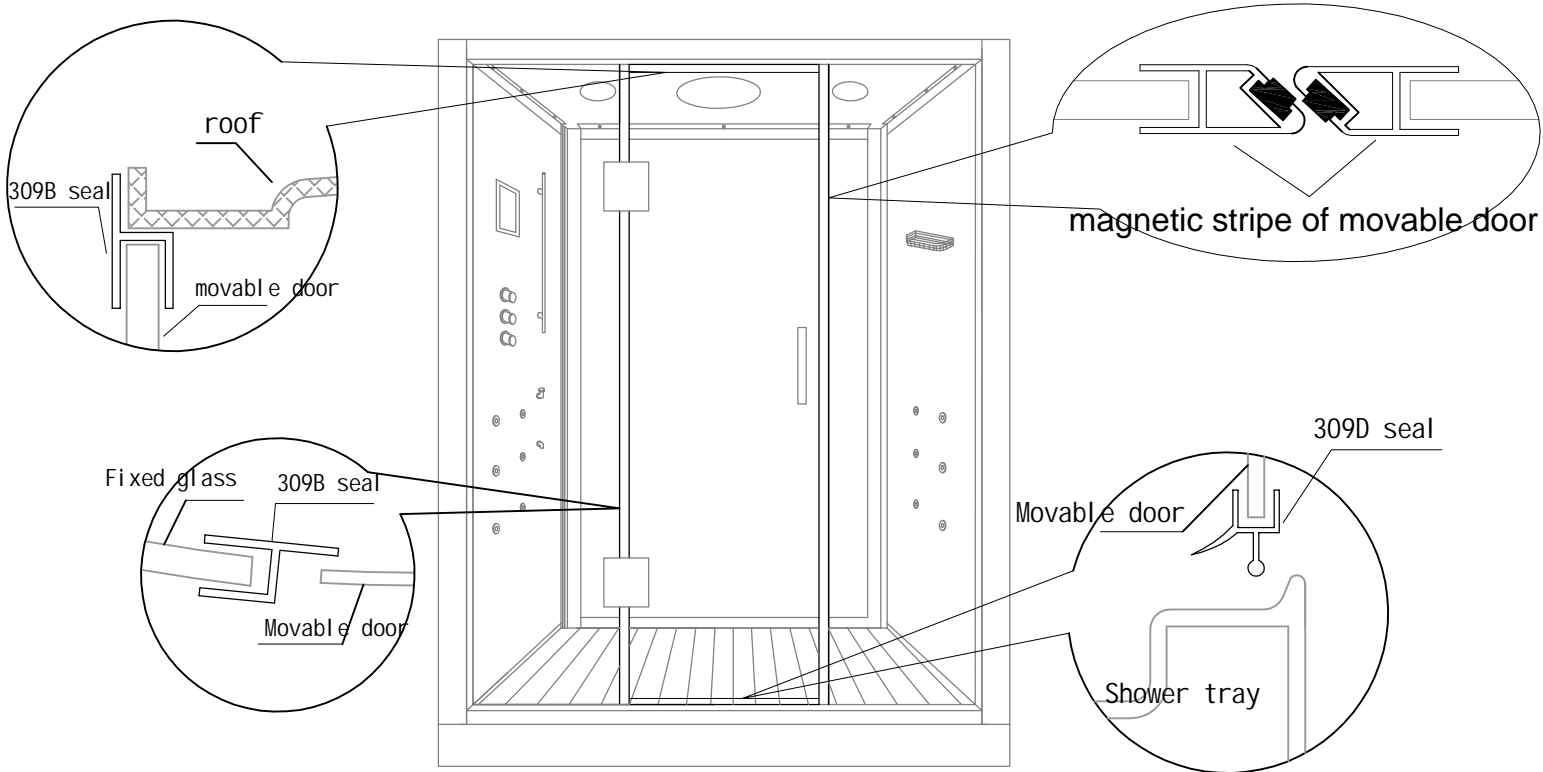
13.Install the fixed door.



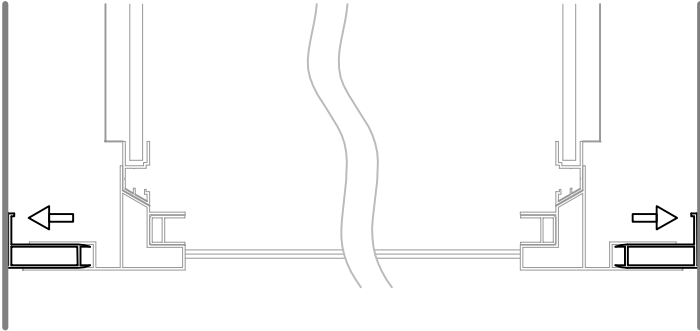
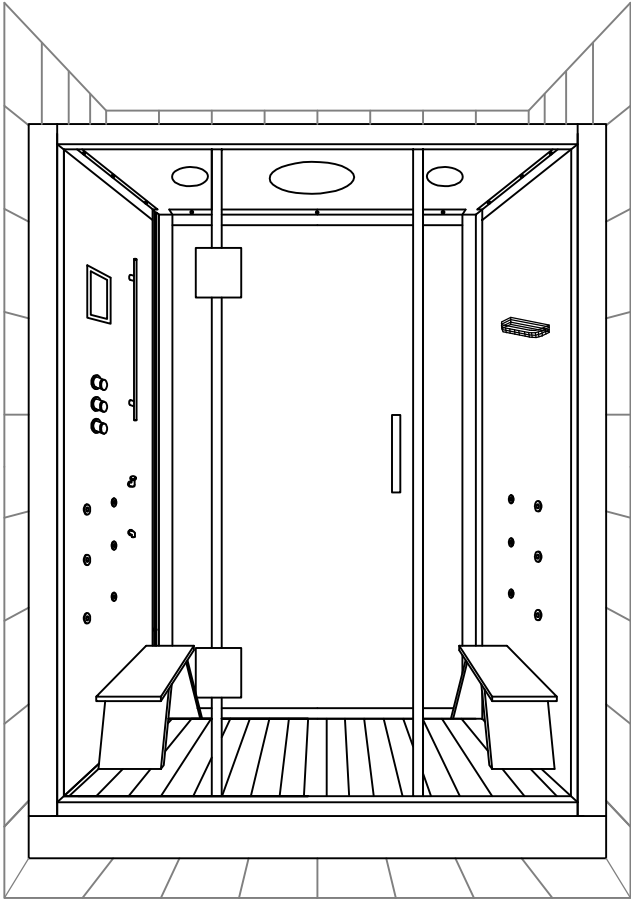
14. Install the movable door.



15. Install the door handle.



16.Install the magnetic stripe and seal.



17.Adjust the closing profiles to against the wall and put the seat into the cabin.