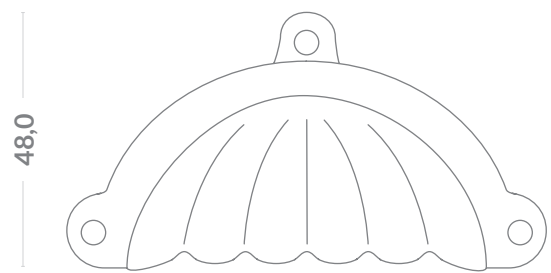
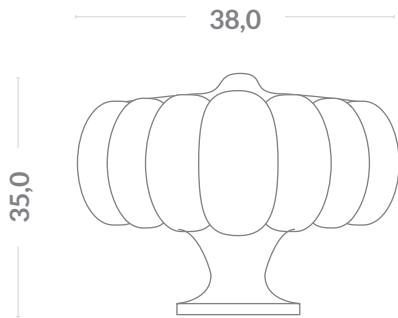


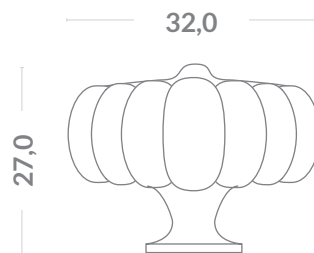
3091



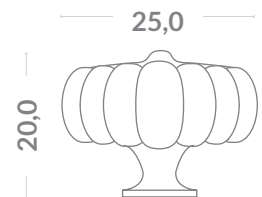
2942



3100/B



3100/C



3100/D