

PROLUX iFORCE

Bagless Canister Vacuum Cleaner

MODEL: iFORCE

Operation Instructions

Read all instructions before using this appliance



For your safety please read owners manual in its entirety before use.

Congratulations on the purchase of your new Prolux iFORCE Bagless Canister Vacuum!

Weighing in at only 10 lbs, with Prolux iFORCE Bagless Technology it's more efficient and powerful than other bagless canister vacuums with an amazing 98 CFM of power. The Prolux iFORCE comes standard with a 3-year limited motor warranty, and 2-year limited Bumper-to-Bumper warranty. Also, with its simple to use design, and easily attachable cleaning accessories, it is designed to be one of your most used appliances.



Table of contents

Specifications	3
Optional Accessories	4
Safety Precautions	5-6
Assembly	
Getting To Know Your Vacuum	7-8
Using The Accessories & Tools	8-10
Operation	
Operating Instructions	8-10
Connecting the power nozzle to the vacuum	8-9
Maintenance	
Emptying The Dust/Dirt Container	10-11
Changing/Cleaning The Intake Filter	11-12
Changing/Cleaning The Exhaust Filter	12
Cleaning The Housing	12
Troubleshooting	13-14
Warranty	14-15

Specifications

- Lightweight – Only weighs 10 lbs.
- Powerful deep cleaning 800 watt 12-amp motor with an amazing 98 Cubic Feet per Minute of Airflow.
- Water Lift Power - 83 inches.
- Dependable – Pre-Motor and post motor filtration adds years of life to the Motor allowing it to come with a 3-year limited motor warranty & 2-Year limited Bumper-to-Bumper warranty.
- 2-Stage filtration, to keep the air clean with 99.95% efficiency.
- 25ft Cord length.
- 1.2L dust bin capacity.
- Deluxe 32mm tool attachment set.
- Electric power-nozzle kit with on/off button and powerful headlight.

OPTIONAL ACCESSORIES

- The Prolux iFORCE StairPro Mini Head –

The StairPro is the perfect attachment for cleaning stairs, upholstery, your cars interior, and it also works great for picking up pet hair. Just like the full size power nozzle attachment, the StairPro also uses an electrically powered brush-roll to deep clean your carpets and upholstery.



- The Prolux iFORCE XL-Floor Tool –

The XL-Floor Tool is the perfect attachment for vacuuming your wide-open extra large areas, due to its extra wide cleaning path and convenient roller wheels, which allows you to effortlessly glide the floor tool across your floors while you clean.



IMPORTANT SAFETY INSTRUCTIONS

When using an electrical appliance, basic precaution should always be followed, including the following:

READ ALL INSTRUCTIONS IN THIS OPERATING MANUAL BEFORE USING THIS APPLIANCE.

Keep the operating manual for reference. Include the operating manual if you pass the appliance to third parties. **Violations of the operating instructions can lead to severe injuries as well as damages to the appliance.** Prolux takes no responsibility for damages due to violations of these operating instructions.

The Notices Given

Notices for your safety are especially marked. Always observe these notices to avoid any damages to the appliance.

WARNING: Warning concerning health hazards describing possible risks of injury.

ATTENTION: Warning concerning possible dangers to the appliance or other objects.

NOTE: Highlights tips for you.

WARNING-To reduce the risk of fire, electric shock, or injury:

1. Do not leave the vacuum cleaner when plugged in or while battery is installed. Unplug from outlet or remove battery when not in use, and before servicing.
2. Use only as described in this manual. Use only the recommended attachments, battery, charger, and replacement parts.
3. To reduce the risk of electric shock, do not use outdoors, on wet surfaces, and do not use for wet pickup/cleanup.
4. Use only as described in this manual. Use only the manufactures recommend attachments.
5. Do not use with damaged cord or plug. If vacuum cleaner is not working as it should, has been dropped, damaged, left outdoors, or dropped into water, take it to a service center before use.
6. Do not pull or carry the vacuum by its power cord, do not use the power cord as a handle, do not close the door on power cord, or pull the power cord around sharp edges or corners. Do not run vacuum cleaner over the power cord. Keep the power cord away from heated surfaces.
7. Do not unplug the power cord from your wall by pulling on the cord. To unplug, grasp the end of the plug, not the cord.
8. Do not handle the power cord/plug, battery, or vacuum cleaner with wet hands.
9. Do not put any object into the openings of the vacuum. Do not use the vacuum with any openings blocked. Keep openings free of dust, lint, hair and anything that may reduce airflow.
- 10.Keep hair, loose clothing, fingers and all parts of body away from openings and moving parts of the vacuum.
- 11.Turn all controls off before unplugging the vacuum.
- 12.Use extra care when cleaning on stairs.
- 13.Do not use to pick up flammable or combustible liquids, such as gasoline, or use in areas where they may be present.
14. Do not allow end of plug to whip when winding up the power cord.
- 15.Unplug the vacuum or vacuum battery before connecting the hose.
- 16.Do not pick up anything that is burning or smoking, such as cigarettes, matches, or hot ashes.
- 17.Do not use without dust bag and/or filter in place.
- 18.If the supply cord is damaged, the manufacturer or an authorized service center must replace it, in order to avoid a hazard.

19. This appliance is not intended for use by persons (including children) with reduced physical, sensory or Mental capabilities, or lack of experience and knowledge, unless they have been given supervision or instructions concerning the use of the appliance by a person responsible for their safety.

Children should be supervised to ensure they do not play with the appliance.

Do not vacuum or clean:

- Hair and other parts of the body. They could be sucked in and cause injury.
- Pieces of Clothing (e, g, shoe laces, scarves, etc.). They could be sucked in and cause injury.
- Water and other liquids, especially moisture from carpet cleaning agents. Moisture inside the appliance can lead to short-circuiting.
- Toner dust (from laser printers, copying-machines, etc.). There is danger of fire or explosion.
- Hot ash, burning cigarettes or matches. This could cause a fire.
- Pointed objects such as glass shards, nails, etc. Such objects destroy the filters.
- Plaster, cement, and fine drilling-dust, makeup, etc. The filters may clog causing damage to the appliance.

Never use the appliance near flammable or explosive materials -- there is danger of fire or explosion.

Never use the appliance outdoors -- there is danger of rain and dirt destroying the appliance.

Never stick objects into the appliance's openings -- it could cause the appliance to overheat.

Cord Connection

The vacuum and battery charger run on electricity, that means there is always danger of electric shock, so please observe the following;

- Never touch the plug with wet hands.
- Always pull directly with the plug. If you want to disconnect the appliance from the outlet. Never pull on the cord, as it might break.
- Take care that the power cord is not bent, pinched, rolled over or gets in contact with heat sources.
- Use only extension cords suited to the power requirements of the appliance.
- Never immerse the appliance in water or other liquids.
- Only operate the appliance if your outlet voltage is the same as that indicated on the appliance's nameplate. Using the wrong voltage can destroy the appliance.
- If the power cord of this appliance is damaged it must be replaced by the manufacturers, their authorized service representative or a similarly qualified person to avoid danger to the user.

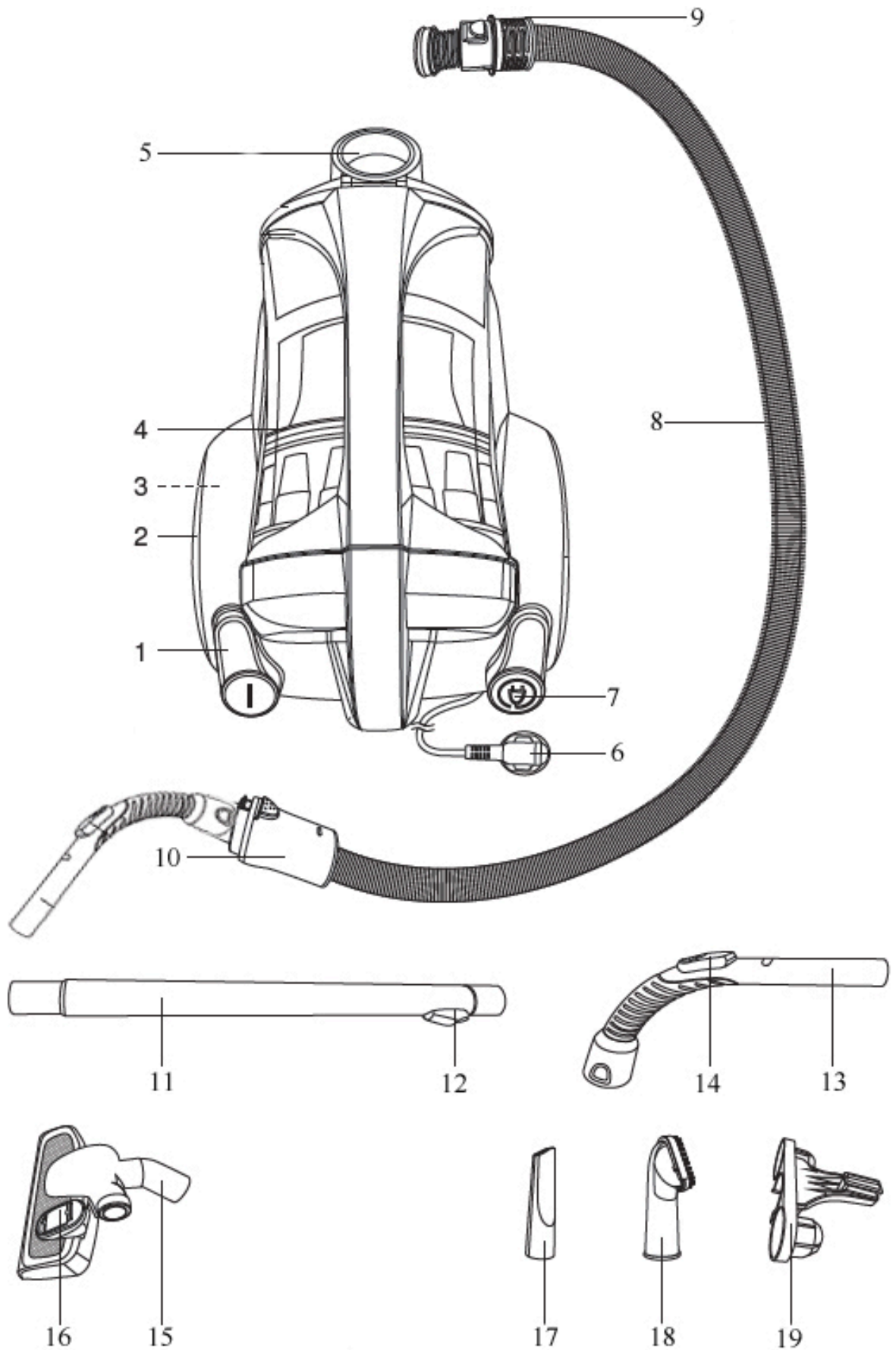
Never use a defective appliance or operate an appliance with a defective power cord. There is a major risk of injury.

Children

Never leave the appliance unattended and use it with special precaution if children or persons who cannot judge dangers are nearby.

People (including children) who are unable to safely operate the appliance on account of their physical, sensory or mental abilities or their lack of experience or knowledge should only use this appliance under supervision or instruction of a responsible person. Packing-materials are not toys. There is danger of suffocation, KEEP OUT OF REACH OF CHILDREN.

GETTING TO KNOW YOUR VACUUM





1. Main motor unit ON/Off button
2. Exhaust filter cover
3. Exhaust filter (installed behind filter cover)
4. Dust/Dirt container
5. Hose connection port/Air intake port
6. 110v/120v power cord
7. Cord rewind button
8. Flexible 7ft main power hose
9. Power hose machine end connection
10. Power hose handle end connection
11. Adjustable electrical main wand
12. Main electrical wand adjustment button
13. Electrical hose handle with power nozzle on/off switch
14. Hose handle on/off switch
15. Combination floor tool
16. Combination floor tool brush retractor switch
17. Crevice tool
18. Duster/upholstery combo tool
19. On-board tool caddy
20. Electric power nozzle for all floor surface types

OPERATION INSTRUCTIONS

WARNING

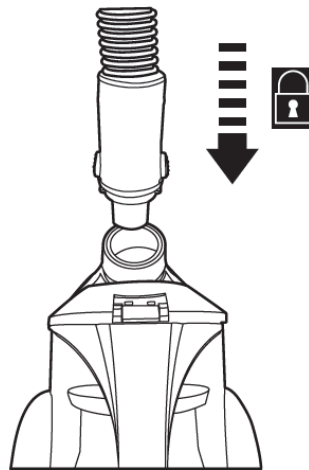
To reduce the risk of electric shock, the power cord must be disconnected or the battery removed before removing the dust container, changing the filters or performing maintenance or troubleshooting checks

Assembling your vacuum

NOTE: Always remove the power plug from the wall outlet before assembling or removing accessories

■ ATTACHING THE FLEXIBLE HOSE & POWER NOZZLE TO THE VACUUM

1. To connect the flexible hose to the unit, insert the air intake suction end of the hose into the air inlet connection of the vacuum.



2. Insert the handle of the electric power hose (Fig. 3/#1) into the upper end of the electric telescopic wand. Be sure to align the 2 prong electrical connections as you press the two pieces together. (Fig 3/#2).

3. Attach the electric power nozzle (Fig. 3/#3) to the bottom end of the telescopic tube. Be sure to align the 2 prong electrical connections as you press the two pieces together. (Fig 3/#4).

4. Adjust the length of the telescopic tube. Press down the release latch on the tube to do this (Fig. 4/#1). Then pull the handle of the telescopic tube to extend it to your desired length (Fig. 3/#1). Let go of the release catch while pulling until it locks in place. You will hear a distinct click.

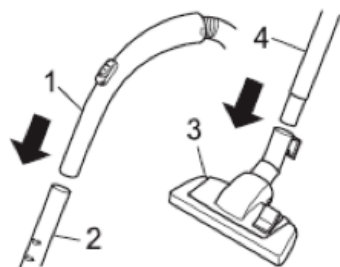


Fig.3

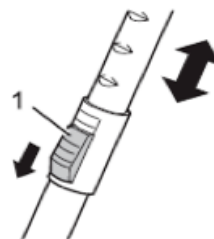


Fig.4

■ USING THE ATTACHMENTS

CREVICE TOOL

Use for cleaning radiators, cracks & crevices along corners, and baseboards and in-between cushions. (Fig 5)

DUSTING BRUSH/UPHOLSTERY TOOL

The Dusting Brush/Upholstery tool is used for all types of furniture and upholstery. (Fig 6)

CARPET/FLOOR BRUSH

Step on the Floor to Carpet selector to adjust the height of the brushes. There are two different heights, one for floors and one for carpets. (Fig 7)



Fig 5



Fig 6

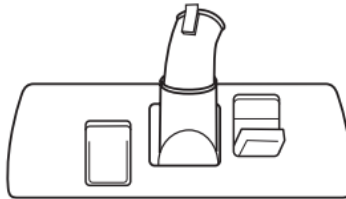
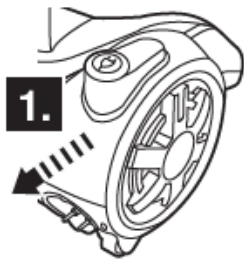


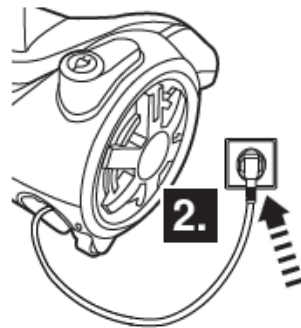
Fig 7

■ USING YOUR VACUUM

1. Pull the desired length of power cord out from the back of the unit, then insert the power plug into your 110v/120v wall outlet. (Fig 8)
2. Connect hose, telescopic tube, and power head. (see pages 9-10)
3. Turn the unit on/off by pressing the switch located on the top of the unit (Fig 9)



(Fig 8)

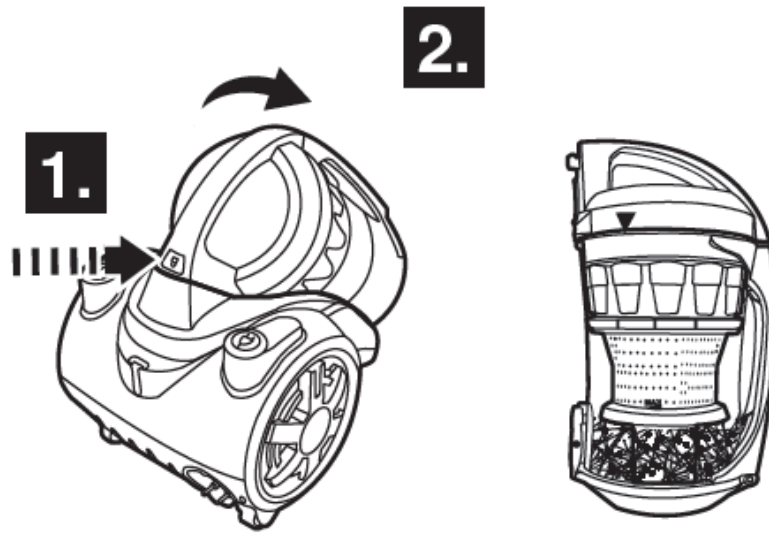


(Fig 9)

■ HOW TO EMPTY THE DUST CONTAINER

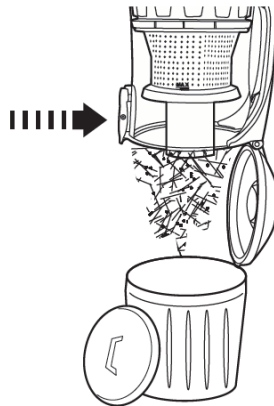
You will want to empty the dirt in the dust container as soon as it has reached the “MAX” mark indicated on the outside of the tank, or if the suction power has dropped. To empty the Dust Container, please follow the instructions below.

1. Switch the vacuum cleaner to the “Off” position and disconnect the plug from the wall outlet.
2. Release the dust container by pressing down the release button, located on the top of the carrying handle on the vacuum tank. (Fig 10)



(Fig 10)

3. Pull the dust container away from the vacuum cleaner.
4. Hold the dust container low over your trash receptacle, to avoid dust falling onto your floors.
5. Then press the release button. When the release button is pressed, the bottom cover will open and the dust will drop into your trash receptacle. (Fig 11)



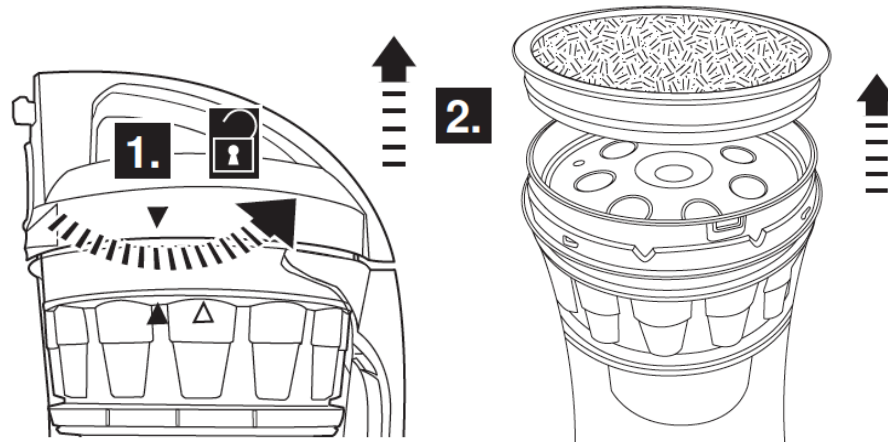
(Fig 11)

■ HOW TO CLEAN AND REPLACE THE FILTER(S)

There are two filters in this unit, the intake filter & the exhaust filter. When the filters are dirty and the suction power is reduced, you must clean or replace the filter(s).

Clean and replace Intake filter

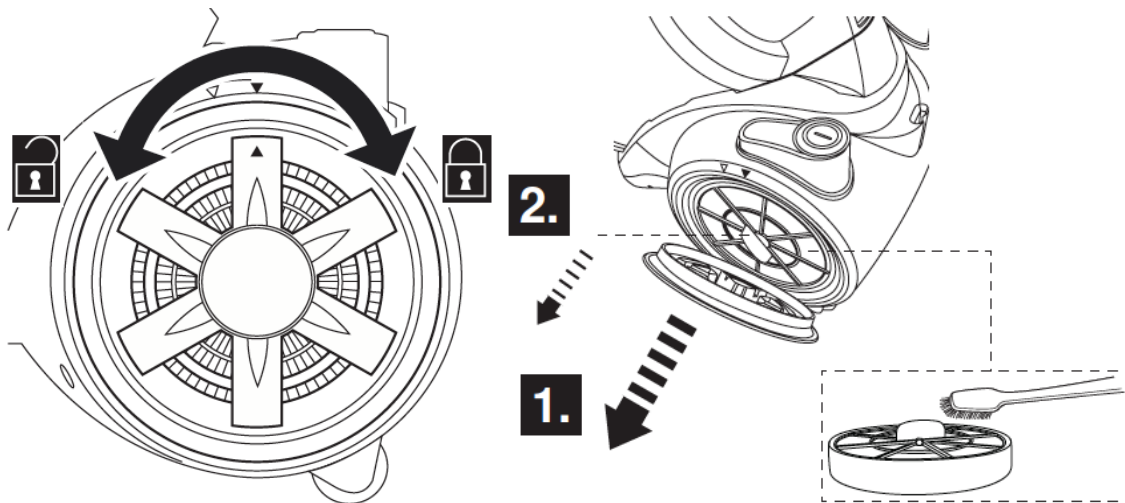
1. Open the top of the dirt container by grabbing the top handle with one hand and the tank bottom with the other hand, and rotate the top counterclockwise. (Fig 12)
2. Pull the filter from the top of the chamber by simply lifting it up and out of the unit. (Fig 12)
3. Clean the filter using warm water, then allow the filter to air dry completely. Once the filter has completely air dried, then assemble the filter back into the vacuum. Or, if the filter is too dirty or in an unusable condition, replace the filter with a new one.



(Fig 12)

Clean and replace the exhaust filter

1. Open the exhaust cover by rotating it counterclockwise. (Fig 13)
2. Pull the exhaust filter out of the unit. (Fig 13)
3. Clean the filter, using warm water and allow the filter to air-dry completely, and then assemble the filter back into the unit. Or, if the filter is too dirty or in an unusable condition, replace the filter with a new one.



(Fig 13)

Cleaning the Housing

WARNING: Always switch off the appliance and disconnect it from the outlet before cleaning it. See section "Switching Off and Retracting Power Cord."

ATTENTION: Do not use Alcohol, cleaning or scouring agents to clean your machine, as these may damage the appliance. Clean the outside of the housing using only a slightly damp washcloth.

Troubleshooting

WARNING: Never use a defective appliance. Always switch off the appliance and disconnect it from the outlet or remove the battery before you start to troubleshoot.

Fault	Possible Cause(s)	Solution
The vacuum will not turn on.	The plug is not connected to the electrical wall outlet or the appliance is not switched to the “on” position.	Insert the plug into an electrical wall outlet and flip the “on/off” switch to the “on” position. See page 10.
	Electrical wall socket does not carry current.	Test the vacuum cleaner on another outlet that you are sure is carrying current.
	The power cord is damaged.	Replace with a new cord by an authorized service center or professional technician.
Suction power is low.	The Dust/Dirt bin is full or clogged.	Empty/clean the Dust/Dirt bin.
	The power nozzle, attachment wand or suction hose is clogged.	Remove the debris that is causing the clog. If necessary, use a long wooden stick (e.g. a broomstick) or coat hanger to do this.
	The Dirt/Dust container is installed incorrectly.	Remove the Dirt/Dust container and reinstall; making sure the container is locked into place when reinstalling.
	The tool attachment being used, does not work properly on the surface you are vacuuming.	Attach the appropriate tool for the surface you are vacuuming. See pages 10.
	Dirty filter(s).	Change/clean the filter(s). See pages 11-12.
The vacuum makes unusual noises, or is louder than usual.	The power nozzle, attachment wand, suction hose, or filters are clogged.	Remove any clogs. If necessary, use a long wooden stick (e.g. a broomstick) or coat hanger to do this.

Troubleshooting for Electric Power Nozzle –

Problem – electric power nozzle does not power up (motor does not turn on in power nozzle).

Solution – Please follow all the steps below and try again:

- a. Unplug the power nozzle from the hose, count 20 seconds and plug back in.
- b. Make sure the brush roll can roll freely and nothing is obstructing it.
- c. Make sure hose is firmly “snapped” into canister.

- d. Make sure main electrical wand is firmly “snapped” all the way to the hose.
- e. Make sure main electrical wand is firmly “snapped” all the way into the power nozzle.
- f. For models with reset button, firmly press the red reset button on electrical power nozzle.
- g. On the hose is an on/off switch. Make sure that it is turned to on.
- h. On the Power Nozzle there is an on/off button; make sure that is turned on as well.

If you plug the power nozzle directly into the hose and it turns on (but won't turn on with main wand attached,) then you know the main wand is defective or a connection needs adjusting (see last problem below).

Problem – electric power nozzle turns on, but brush roll does not spin.

Solution – Most likely a large object may have been vacuumed up, jammed the brush roll and broke the belt. Remove bottom plate of the power nozzle, check or replace belt, remove obstruction and try again.

Problem – electric power nozzle cuts in and out as you vacuum back and forth.

Solution – There are several connections to get power to the power nozzle, they are: 1) the hose and canister, 2) the hose and main wand and 3) the main wand and power head. Make sure each of these is firmly connected. If you have traced the ‘cutting out’ problem to one of these areas and they are firmly connected, then when the vacuum is unplugged from the wall, you may take a pair of needle-nose pliers and slightly bend the male terminal out so it has a better connection.

THREE (3) YEAR LIMITED WARRANTY

Prolux warranties this product's motor free from defects in material and workmanship for a period of three (3) years on the motor, and two (2) years on the body of the vacuum, free from manufacturer defects in material and workmanship from the original date of purchase, when utilized for normal household use.

Subject to the following conditions, exclusions, and exceptions:

What is Not Covered by the Prolux Warranty - Warranty Exclusions. This limited warranty does not extend to and expressly excludes:

- 1. Normal wear and tear and/or replacement attachments or accessories, including, without limitation, extension cords, hoses, filters, switches, carbon motor brushes and other attachments to the vacuum.**
- 2. Damage or burnout of the vacuum body or Canister motor resulting from failure to clear a blockage occurring during the normal course of use.**
- 3. Loss or damage to the vacuum body or Canister resulting from conditions beyond the control of Prolux including without limitation, misuse, accidents, abuse, neglect, negligence from the customer, overuse beyond capacity of the vacuum, or unauthorized modification and/or alteration.**
- 4. Loss or damage to the vacuum body or Canister resulting from failure to follow the required maintenance schedule, or failure to use the vacuum in accordance with written instructions from Prolux, guidelines or the terms of its Owner's Manual.**

If your appliance fails to operate properly while in use under normal household conditions within the warranty period, please contact your authorized PROLUX dealer you purchased the unit from. Non-durable parts including, without limitation, filters, accessories, brushes, belts, and electrical parts, which normally require replacement, are specifically excluded from warranty.

This warranty is limited solely to the cost of the repair or replacement of the unit at Prolux's option. This warranty does not cover normal wear of parts and does not apply to any unit that has been tampered (by unauthorized user) with or used for commercial purposes. This limited warranty does not cover damage caused by shipping damage, misuse, abuse, negligent handling, or damage due to faulty packaging or mishandling in transit.

This warranty is extended to the original purchaser of the unit only and is not transferable. ***IMPORTANT: Before sending unit back for warranty work, contact your authorized PROLUX retailer you bought the unit from first. Unauthorized warranty claims may be sent back.**

Authorized Warranty claims: PROLUX shall be responsible for all parts and labor and the customer shall be responsible for all shipping charges to and from the PROLUX service center.

Prolux is constantly striving to improve our products. Therefore, the specifications contained herein are subject to change without notice.

Product Warranty Registration

Please follow the link below to register your Prolux product.

http://www.proluxcleaners.com/webforms/index/index/id/2/?__store=default

To find more information on this product, including warranty info and to contact Prolux Customer Service. Please follow the link below:

<http://www.proluxcleaners.com>

You can also reach Prolux by phone at: (801) 382-7655

Environmental tips

Once any electronic product is no longer functional, it should be disposed of in such a way as to cause minimum environmental impact, in accordance with the regulations of your local authority. In most cases you can take such products to your local recycling station.

