

The GXT eXtremeAir® series consists of compact, high-speed, heated hand dryers. Their high energy-efficiency, durable construction, and universal voltage features accommodate any commercial washroom environment.

**Product Benefits:**

**GXT Models**

- 10 second dry time
- Adjusts sound and speed with easy dial adjustment
- Accepts 110–240 V input
- Optimizes space with compact design
- Durable and vandal resistant



White ABS



Stainless Steel



Steel Black Epoxy



Steel White Epoxy



**RoHS**

**PERFORMANCE**

	GXT Models
Dry Time:	10 seconds (adjustable)
Air Velocity:	114 – 216 mph (10,000 – 19,000 LFM)
Air Flow:	36 – 68 CFM
Air Temperature: (at 72°F room temperature):	135°F

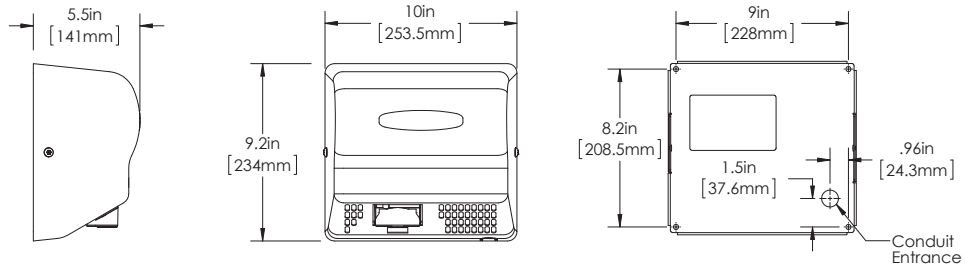
**ELECTRICAL**

	GXT Models
Voltage:	120 – 240 VAC
Power:	800 – 1500 watts (adjustable)
Frequency:	60 Hz
Recommended Circuit:	Dedicated 20 Amp

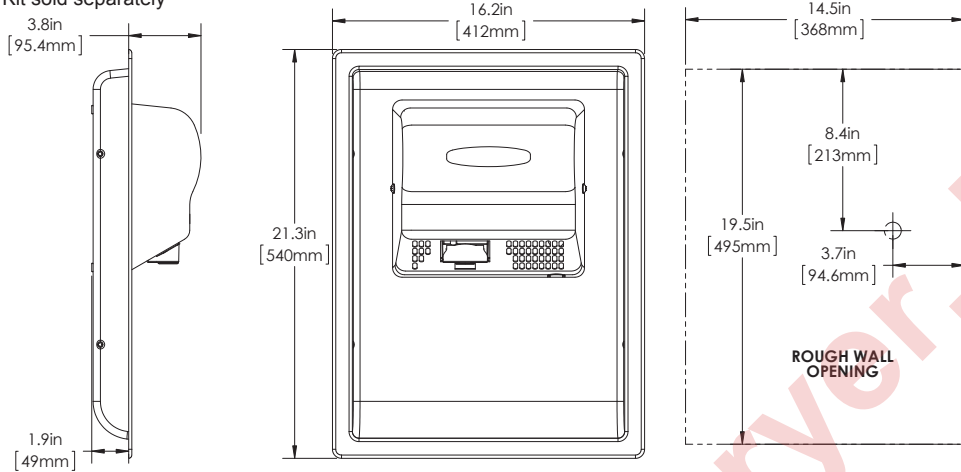
**CONSTRUCTION**

Cover Options (Material/Finish)	High impact ABS (white) Stainless steel (brushed finish) Epoxy painted steel (black) Epoxy painted steel (white)
Motor	Thermally-protected universal type, through-flow discharge vacuum type, 5/8 HP, 24,000 RPM (adjustable)
Heating Element	Nichrome wire construction, 1000 watts, and auto-reset thermal-protector so power is disconnected if air is not flowing
Electronic Controls	Universal voltage (120 – 240 V)
Speed Control	Infinite setting dial adjustment
Activation	Automatic touch-free infrared activation with 35 second vandal-resistant lock-out feature
Enclosure Security	Cover attached with tamper-resistant screws and security wrench included
Electrical Connection Access	Access for wall-mounted junction box and for bottom-entry surface mounted conduit
5-Year Limited Warranty	Warranted by the manufacturer to be free from defects in material workmanship for a period of five (5) years from the date of purchase. Warranty service include labor performed at factory as well as the repair or exchange of defective parts, at manufacturer's option.

**SURFACE MOUNTED**



**RECESS MOUNTED (Optional)**  
ADA-RK Recess Kit sold separately



**Placement Instructions**

- Hand dryers should be spaced at least 2 feet apart, near but not over the washbasin
- In congested areas, dryers should be located to create a flow from wash basin to dryer to exit
- eXtremeAir GXT dryers should be mounted at least 18" above or away from reflective surfaces which may interfere with the automatic sensor operation.
- Dryer Quantity Recommendation:
  - Average Traffic: 1 dryer per 2 wash basins
  - Heavy Traffic: 1 dryer per wash basin
  - Industrial 54" Circular wash fountains: 4 dryers per sink
- Recommended mounting heights from floor to dryer bottom edge

Men's washrooms	46" (117 cm)
Women's washrooms	44" (112 cm)
Children's washrooms, ages 4-7	32" (81 cm)
Children's washrooms, ages 7-10	36" (91 cm)
Children's washrooms, ages 10-13	40" (102 cm)
Children's washrooms, ages 13-17	44" (112 cm)
Handicap Mounting Height	37" (94 cm)

COVER MATERIAL/FINISH	GXT MODELS	VOLTAGE	UNIT SIZE (HXWXD) INCH [MM]	SHIPPING SIZE (HXWXD) INCH [MM]	SHIPPING WEIGHT
High-Impact White ABS	GXT9	100-240 V	10.1" x 9.4" x 5.6" [257 x 239 x 142]	6.75" x 11.5" x 10.25" [171 x 292 x 260]	9 lb / 4.1 kg
Brushed Stainless Steel	GXT9-SS	100-240 V	10.1" x 9.4" x 5.6" [257 x 239 x 142]	6.75" x 11.5" x 10.25" [171 x 292 x 260]	10 lb / 4.5 kg
Steel with Black Epoxy	GXT9-BG	100-240 V	10.1" x 9.4" x 5.6" [257 x 239 x 142]	6.75" x 11.5" x 10.25" [171 x 292 x 260]	10 lb / 4.5 kg
Steel with White Epoxy	GXT9-M	100-240 V	10.1" x 9.4" x 5.6" [257 x 239 x 142]	6.75" x 11.5" x 10.25" [171 x 292 x 260]	10 lb / 4.5 kg
ADA Wall Guard	ADA-WG (Optional Accessory)		18" x 9.4" x 3.5" [457 x 238 x 89]	18.2" x 10.2" x 3.9" [462 x 259 x 99]	3.5 lb / 1.6 kg
ADA Recess Kit	ADA-RK (Optional Accessory)		21.3" x 16.3" x 2.0" [541 x 159 x 51]	21.8" x 16.5" x 2.6" [554 x 419 x 66]	6.2 lb / 2.8 kg
Adaptor Plate	AP (Optional Accessory)		14" x 16" x .05" [356 x 406 x 1.3]	17.5" x 15" x 1.2" [445 x 381 x 30]	4.7 lb / 2.1 kg