

Advantage AD90 is the perfect choice where the comfort and reliability of traditional hand dryers is needed. An added advantage over competing models is its lower energy consumption. Its compact design, smart sensor, vandal resistant construction, and adjustable speed options make it attractive for any commercial washroom environment.

Product Benefits

- 25 second dry time
- Accepts 110–240 V input
- Adjusts sound and speed with easy dial adjustment
- Lower operating cost than many traditional dryers
- Automatic. Touch-free ... worry-free activation
- Durable and vandal resistant



White ABS



Steel Black Graphite

PERFORMANCE	
Dry Time:	25 seconds (adjustable)
Air Velocity:	35 - 83 mph (3,000 - 7,300 LFM)
Air Flow:	76 - 180 CFM
Air Temperature: (at 72°F room temperature)	120°F



ELECTRICAL	
Voltage:	120 - 240 VAC
Power (adjustable):	400 - 1400 watts (120V) 350 - 1250 watts (240V)
Frequency:	60 Hz
Recommended Circuit:	Dedicated 20 Amp



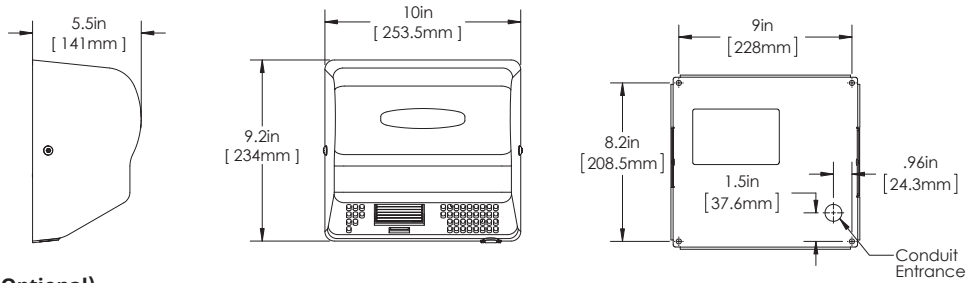
Stainless Steel



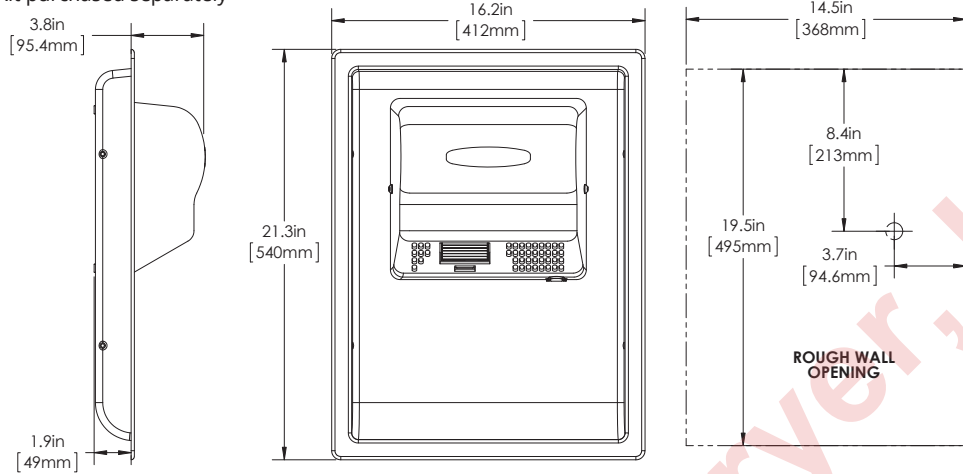
Steel White Epoxy

CONSTRUCTION	
Cover Options (Material/Finish)	High impact ABS (white) - AD90 Epoxy painted steel (black) - AD90-BG Stainless steel (brushed finish) - AD90-SS Epoxy painted steel (white) - AD90-M
Motor	Thermally-protected universal type, 1/8 HP, 4,800 RPM
Heating Element	Nichrome wire construction, 1200 watts, and auto-reset thermal-protector so power is disconnected if air is not flowing
Electronic Controls	Universal voltage (120 - 240 V)
Activation	Automatic touch-free infrared activation with 35 second vandal-resistant lock-out feature
Enclosure Security	Cover attached with tamper-resistant screws and security wrench included
Electrical Connection Access	Access for wall-mounted junction box and for bottom-entry surface mounted conduit
5-Year Limited Warranty	Warranted by the manufacturer to be free from defects in material workmanship for a period of five (5) years from the date of purchase. Warranty service include labor performed at factory as well as the repair or exchange of defective parts, at manufacturer's option.

SURFACE MOUNTED



RECESS MOUNTED (Optional)
 ADA-RK Recess Kit purchased separately



Recommended Mounting Heights
 (from bottom edge of dryer to finished floor)

Men's washrooms	46" (117 cm)
Women's washrooms	44" (112 cm)
Children's washrooms, ages 4-7	32" (81 cm)
Children's washrooms, ages 7-10	36" (91 cm)
Children's washrooms, ages 10-13	40" (102 cm)
Children's washrooms, ages 13-17	44" (112 cm)
Handicap Mounting Height	37" (94 cm)

Placement Instructions

- Hand dryers should be spaced at least 2 feet apart, near but not over the washbasin
- In congested areas, it's recommended that dryers be located to create a flow from wash basin to dryer to exit
- Advantage AD90 should be mounted at least 18" above or away from reflective surfaces which may interfere with the automatic sensor operation
- Dryer Quantity Recommendation:
 - Average Traffic: 1 dryer per 2 wash basins
 - Heavy Traffic: 1 dryer per wash basin
 - Industrial 54" Circular Wash Fountains: 4 dryers per sink
- GFI circuit protection is recommended in wet or damp locations
- One side of dryer should be mounted to a wall stud

COVER MATERIAL/FINISH	ACTIVATION	MOUNTING	110-120 / 208 / 220-240 V	UNIT SIZE (HXWXD) INCH [MM]	SHIPPING SIZE (HXWXD) INCH [MM]	SHIPPING WEIGHT
High-Impact White ABS	Automatic	Surface	AD90	10.1" x 9.4" x 5.6" [257 x 239 x 142]	6.75" x 11.5" x 10.25" [171 x 292 x 260]	8 lb / 3.6 kg
Steel with Black Epoxy	Automatic	Surface	AD90-BG	10.1" x 9.4" x 5.6" [257 x 239 x 142]	6.75" x 11.5" x 10.25" [171 x 292 x 260]	9.4 lb / 4.2 kg
Brushed Stainless Steel	Automatic	Surface	AD90-SS	10.1" x 9.4" x 5.6" [257 x 239 x 142]	6.75" x 11.5" x 10.25" [171 x 292 x 260]	9.4 lb / 4.2 kg
Steel with White Epoxy	Automatic	Surface	AD90-M	10.1" x 9.4" x 5.6" [257 x 239 x 142]	6.75" x 11.5" x 10.25" [171 x 292 x 260]	9.4 lb / 4.2 kg