

# AirMax™ DXM5-974 Hand Dryer



The High Speed and Heavy Duty Hand Dryer

**WORLD DRYER**

World Model DXM5-974 hand dryer is the industry standard for high speed hand dryers. It's suitable for high traffic facilities needing vandal resistant features.

### Product Benefits

- Automatic operation
- Longest life of high speed hand dryers
- 15 second dry time; 2X faster than traditional dryers
- Uses only 1/2 the energy of standard dryers
- Low sound level
- Durable and vandal resistant
- Classic style design
- Surface mounted

### Design Features

#### Dryer

- Activated by an infrared sensor, automatic drying cycle
- Incorporates a 1600 watt Nichrome wire heating element protected by an automatic-resetting, thermal cutoff
- Provides a 50°F temperature rise
- IPX1 ingress protection

#### Motor

- Thermally-protected, universal brush-type motor operating at 12,000 RPM
- Delivering 238 CFM air flow at a velocity of 8,624 LFM (98 MPH)

#### Materials

- Cover Material: white epoxy enamel finish on cold-rolled steel
- The wall-mounted base is constructed of die-cast aluminum
- The nozzle is constructed of die-cast zinc alloy finished in bright chrome

### Architecture & Engineering Specifications

World Dryer AirMax® Model DXM5-974 hand dryer shall include a cover made of 14GA cold-rolled steel with a white epoxy enamel finish. Motor shall be universal type, 1/6 HP at 12,000 RPM. Dryer shall deliver 238 cubic feet per minute of air volume (8600 LFM). Infrared sensor detects hands, initiates and terminates drying cycle. High-tech sensor control to provide 1,000,000 drying cycles. Hand Dyer shall be listed under reexamination service of Underwriters Laboratories, Inc.



### AirMax Product Specifications

#### Electrical

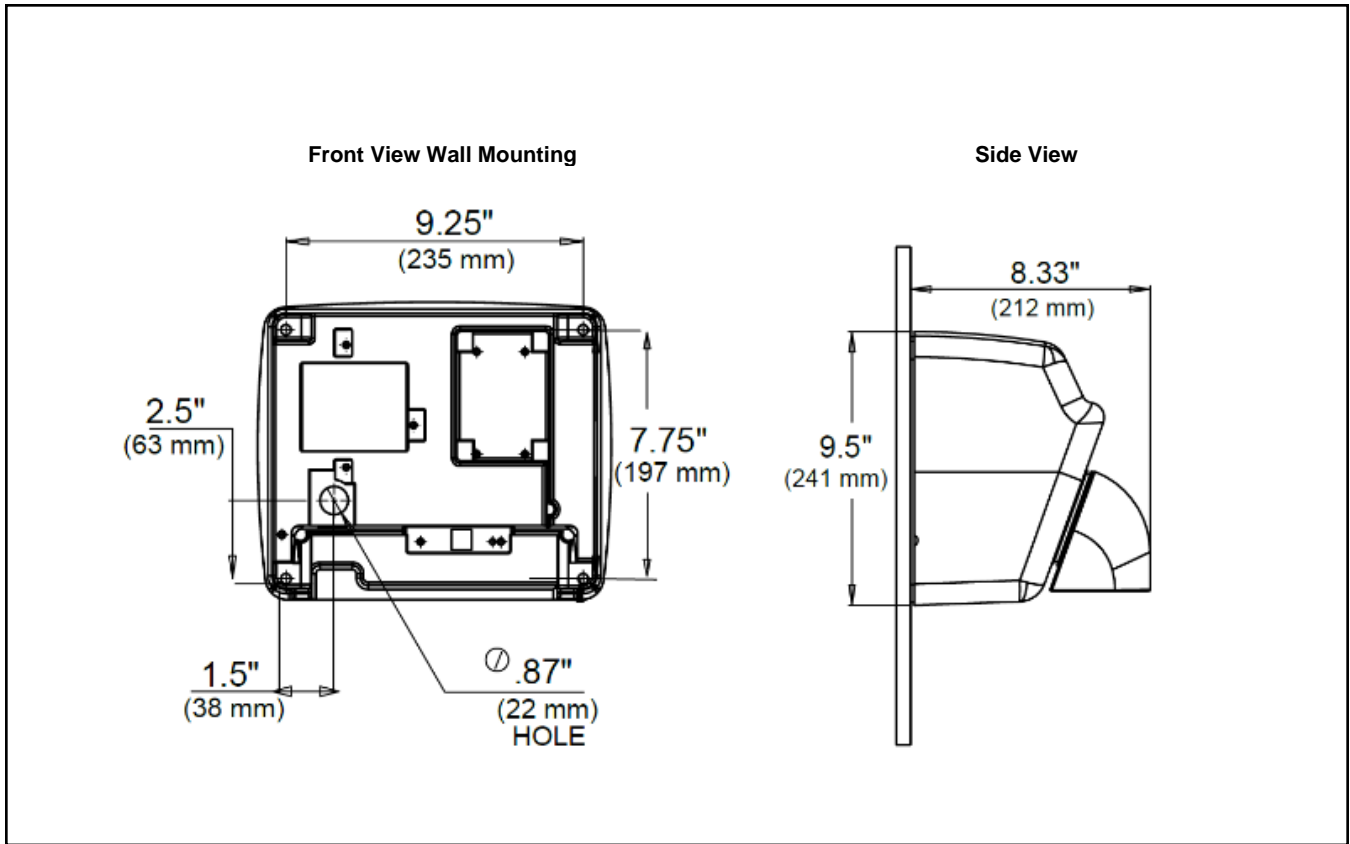
	115 V	208 - 230 V
Amps	20	10
Watts	2300	2300
Hz	60	60

#### Surface Mounted

**Unit Size (HxWxD)** 9.5" x 11.3" x 8.3" 241 mm x 287 mm x 211 mm

**Shipping Size (HxWxD)** 12.5" x 14.4" x 10.1" 317 mm x 366 mm x 256 mm

Stock #	Cover Finish	Cover Material	Electrical	Unit Weight
DXM5-974	White Enamel	Stamped Steel	115V	18 lbs / 8.16 kgs
DXM54-974	White Enamel	Stamped Steel	208V-230V	18 lbs / 8.16 kgs



**Placement Instruction**

- Hand dryers should be spaced at least 2' apart, near but not over the wash basin
- Automatic dryers should be located more than 18" above or away from any reflective surface that may interfere with the sensor operation.
- In congested areas, dryers should be located to create a flow from wash basin to dryer to exit
- Dryer Quantity Recommendation:  
 Average Traffic: 1 dryer per 2 wash basins  
 Heavy Traffic: 1 dryer per wash basin  
 Industrial 54" Circular wash fountains: 4 dryers per sink
- Recommended mounting heights from floor to dryer bottom edge

Washrooms	Surface Mounted	Recess Mounted
Men's washrooms	46" (117 cm)	42" (107 cm)
Women's washrooms	44" (112 cm)	40" (102 cm)
Children's washrooms, ages 4-7	32" (81 cm)	28" (71 cm)
Children's washrooms, ages 7-10	36" (91 cm)	32" (81 cm)
Children's washrooms, ages 10-13	40" (102 cm)	36" (91 cm)
Children's washrooms, ages 13-17	44" (112 cm)	40" (102 cm)
Handicap Mounting Height	37" (94 cm)	34" (86 cm)

Measured from floor to the bottom of the unit.

**Installation Guide**

- AirMax hand dryers require a dedicted 20 AMP circuit and must be properly grounded.
- GFI circuit protection is recommended.
- One side of dryer should be mounted to a stud

**Certification Approved**



**IPX1**



**Warranty**



10 year limited warranty  
 5 year on motor & sensor



Allied Hand Dryer, LLC  
 760 W Summt Ave  
 San Antonio, TX 78212  
 800-535-4393  
 sales@handdryer.com  
 www.handdryer.com