

AirMax™ DXM5-972 Hand Dryer



The High Speed and Heavy Duty Hand Dryer

WORLD DRYER

World Model DXM5-972 hand dryer is the industry standard for high speed hand dryers. It's suitable for high traffic facilities needing vandal resistant features.

Product Benefits

- Automatic operation
- Longest life of high speed hand dryers
- 15 second dry time; 2X faster than traditional dryers
- Uses only 1/2 the energy of standard dryers
- Low sound level
- Durable and vandal resistant
- Classic style design
- Surface mounted

Design Features

Dryer

- Activated by an infrared sensor, automatic drying cycle
- Incorporates a 1600 watt Nichrome wire heating element protected by an automatic-resetting, thermal cutoff
- Provides a 50°F temperature rise
- IPX1 ingress protection

Motor

- Thermally-protected, universal brush-type motor operating at 12,000 RPM
- Delivering 238 CFM air flow at a velocity of 8,624 LFM (98 MPH)

Materials

- Cover Material: 14GA stainless steel with a polished (bright) finish
- The wall-mounted base is constructed of die-cast aluminum
- The nozzle is constructed of die-cast zinc alloy finished in bright chrome

Architecture & Engineering Specifications

World Dryer AirMax® Model DXM5-972 hand dryer shall include a cover made of 14GA stainless steel with a polished (bright) finish. Motor shall be universal type, 1/6 HP at 12,000 RPM. Dryer shall deliver 238 cubic feet per minute of air volume (8600 LFM). Infrared sensor detects hands, initiates and terminates drying cycle. High-tech sensor control to provide 1,000,000 drying cycles. Hand Dyer shall be listed under reexamination service of Underwriters Laboratories, Inc.



AirMax Product Specifications

Electrical

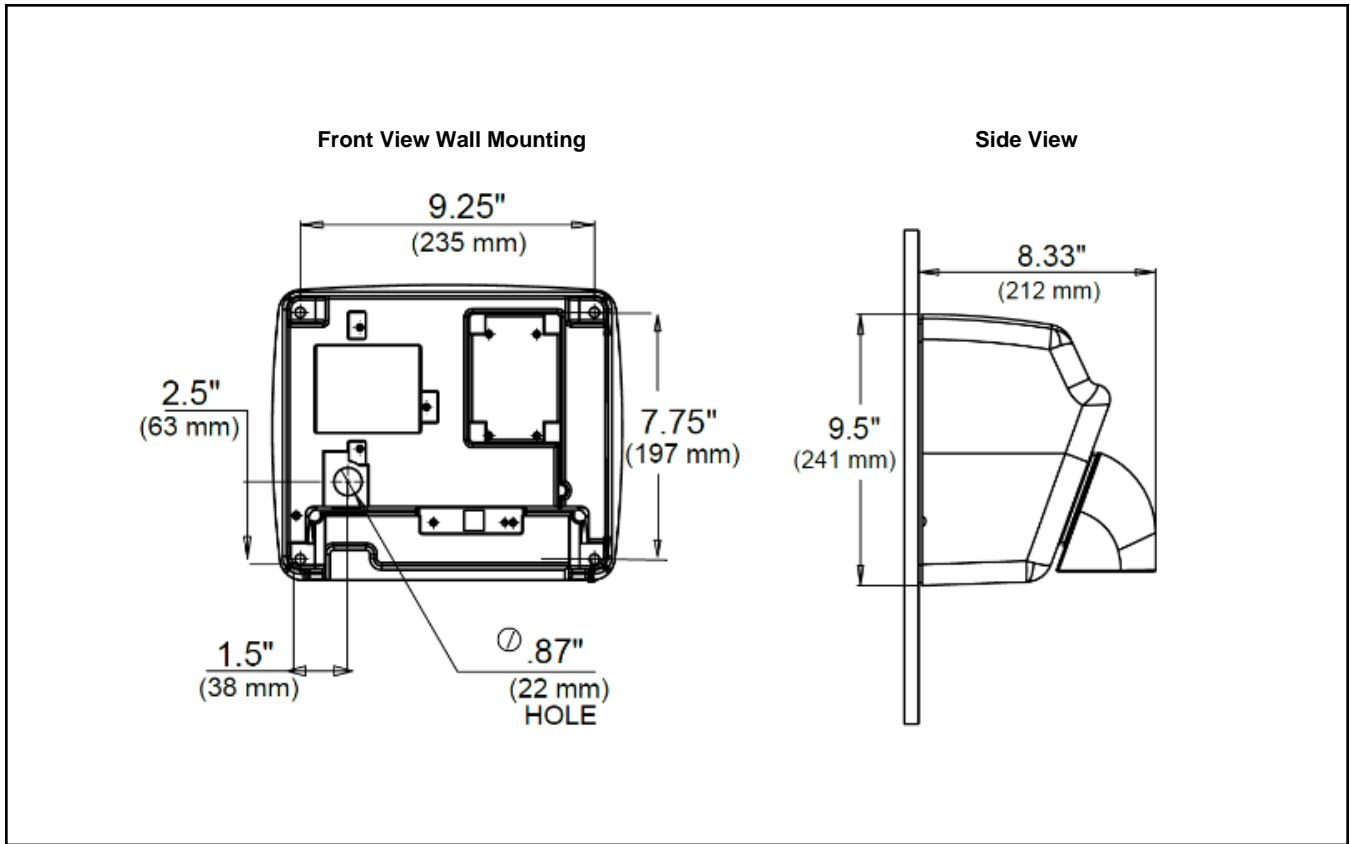
	115 V	208 - 230 V
Amps	20	10
Watts	2300	2300
Hz	60	60

Surface Mounted

Unit Size (HxWxD) 9.5" x 11.3" x 8.3" 241 mm x 287 mm x 211 mm

Shipping Size (HxWxD) 12.5" x 14.4" x 10.1" 317 mm x 366 mm x 256 mm

Stock #	Cover Finish	Cover Material	Electrical	Unit Weight
DXM5-972	Polished	Stainless Steel	115V	18 lbs / 8.16 kgs
DXM54-972	Polished	Stainless Steel	208V-230V	18 lbs / 8.16 kgs



Placement Instruction

- Hand dryers should be spaced at least 2' apart, near but not over the wash basin
- Automatic dryers should be located more than 18" above or away from any reflective surface that may interfere with the sensor operation.
- In congested areas, dryers should be located to create a flow from wash basin to dryer to exit
- Dryer Quantity Recommendation:
 Average Traffic: 1 dryer per 2 wash basins
 Heavy Traffic: 1 dryer per wash basin
 Industrial 54" Circular wash fountains: 4 dryers per sink
- Recommended mounting heights from floor to dryer bottom edge

Washrooms	Surface Mounted	
Men's washrooms	46" (117 cm)	
Women's washrooms	44" (112 cm)	
Children's washrooms, ages 4-7	32" (81 cm)	
Children's washrooms, ages 7-10	36" (91 cm)	
Children's washrooms, ages 10-13	40" (102 cm)	
Children's washrooms, ages 13-17	44" (112 cm)	
Handicap Mounting Height	37" (94 cm)	34" (86 cm)

Measured from floor to the bottom of the unit.

Installation Guide

- AirMax hand dryers require a dedicted 20 AMP circuit and must be properly grounded.
- GFI circuit protection is recommended.
- One side of dryer should be mounted to a stud

Certification Approved



IPX1



Warranty



10 year limited warranty
 5 year on motor & sensor



Allied Hand Dryer, LLC
 760 W Summt Ave
 San Antonio, TX 78212
 800-535-4393
 sales@handdryer.com
 www.handdryer.com