

# AirMax™ DM5-973 Hand Dryer



The High Speed and Heavy Duty Hand Dryer

**WORLD DRYER**

World Model DM5-973 hand dryer is the industry standard for high speed hand dryers. It's suitable for high traffic facilities needing vandal resistant features.

### Product Benefits

- Push-button operation
- Longest life of high speed hand dryers
- 15 second dry time; 2X faster than traditional dryers
- Uses only 1/2 the energy of standard dryers
- Low sound level
- Durable and vandal resistant
- Classic style design
- Surface mounted

### Design Features

#### Dryer

- Activated by electro-mechanical timer with 25 Amp switch and 20 second cycle
- Incorporates a 1600 watt Nichrome wire heating element protected by an automatic-resetting, thermal cutoff
- Provides a 50°F temperature rise
- IPX1 ingress protection

#### Motor

- Thermally-protected, universal brush-type motor operating at 12,000 RPM
- Delivering 238 CFM air flow at a velocity of 8,624 LFM (98 MPH)

#### Materials

- Cover Material: 14GA stainless steel with a #304 brushed (satin) finish
- The wall-mounted base is constructed of die-cast aluminum
- The nozzle is constructed of die-cast zinc alloy finished in bright chrome

### Architecture & Engineering Specifications

World Dryer AirMax® Model DM5-973 hand dryer shall include a cover made of 14GA stainless steel with a #304 brushed (satin) finish. Motor shall be universal type, 1/6 HP at 12,000 RPM. Dryer shall deliver 238 cubic feet per minute of air volume (8600 LFM). Timer shall be electro-mechanical cam-style with 25 AMP rated switch to operate dryer for 20 second period. Hand Dyer shall be listed under reexamination service of Underwriters Laboratories, Inc.



### AirMax Product Specifications

#### Electrical

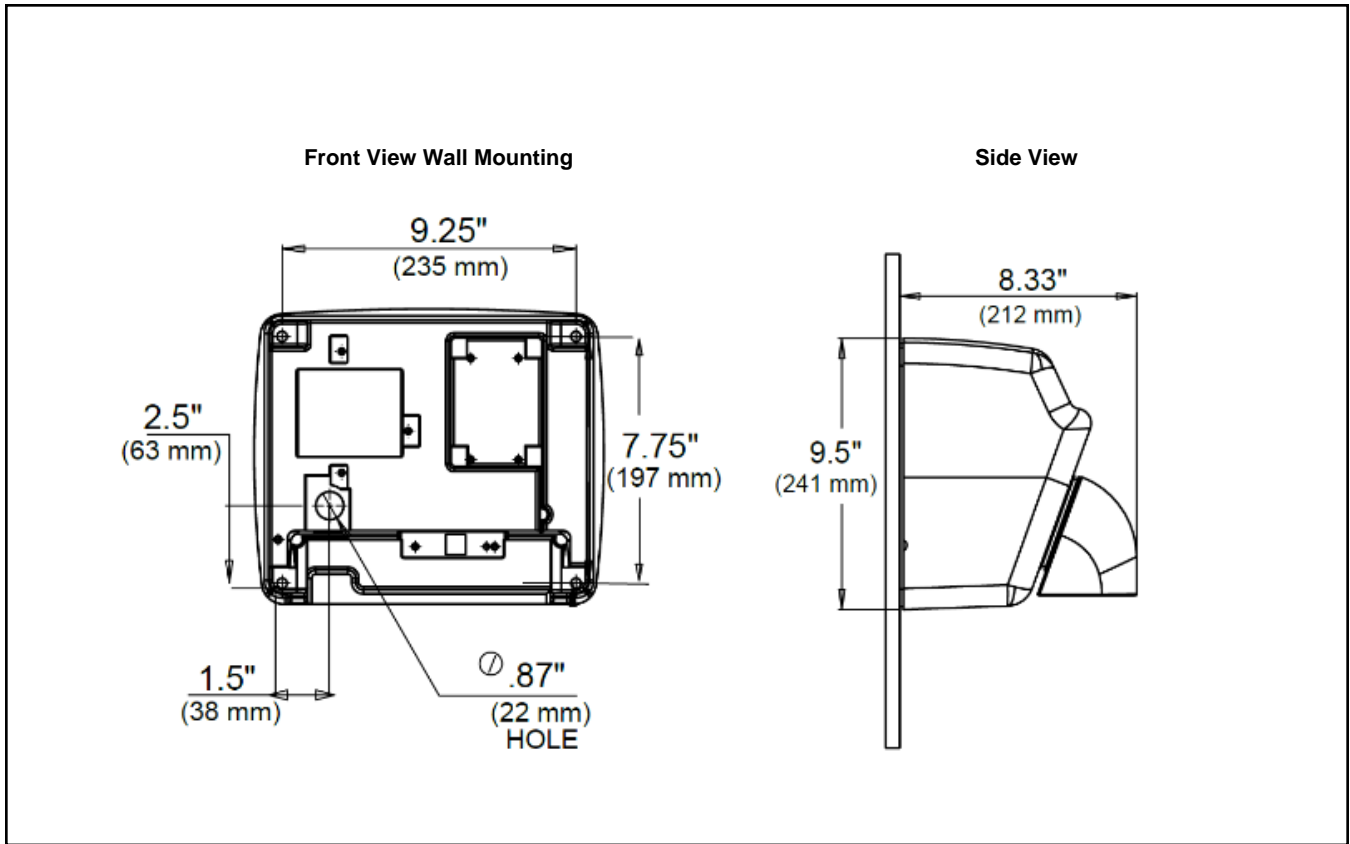
|       | 115 V | 208 - 230 V |
|-------|-------|-------------|
| Amps  | 20    | 10          |
| Watts | 2300  | 2300        |
| Hz    | 60    | 60          |

#### Surface Mounted

**Unit Size (HxWxD)** 9.5" x 11.3" x 8.3" 241 mm x 287 mm x 211 mm

**Shipping Size (HxWxD)** 12.5" x 14.4" x 10.1" 317 mm x 366 mm x 256 mm

| Stock #  | Cover Finish | Cover Material  | Electrical | Unit Weight       |
|----------|--------------|-----------------|------------|-------------------|
| DM5-973  | Brushed      | Stainless Steel | 115V       | 18 lbs / 8.16 kgs |
| DM54-973 | Brushed      | Stainless Steel | 208V-230V  | 18 lbs / 8.16 kgs |



**Placement Instruction**

- Hand dryers should be spaced at least 2' apart, near but not over the wash basin
- In congested areas, dryers should be located to create a flow from wash basin to dryer to exit
- Dryer Quantity Recommendation:  
Average Traffic: 1 dryer per 2 wash basins  
Heavy Traffic: 1 dryer per wash basin  
Industrial 54" Circular wash fountains: 4 dryers per sink
- Recommended mounting heights from floor to dryer bottom edge

| Washrooms                        | Surface Mounted |
|----------------------------------|-----------------|
| Men's washrooms                  | 46" (117 cm)    |
| Women's washrooms                | 44" (112 cm)    |
| Children's washrooms, ages 4-7   | 32" (81 cm)     |
| Children's washrooms, ages 7-10  | 36" (91 cm)     |
| Children's washrooms, ages 10-13 | 40" (102 cm)    |
| Children's washrooms, ages 13-17 | 44" (112 cm)    |
| Handicap Mounting Height         | 37" (94 cm)     |

Measured from floor to the bottom of the unit.

**Installation Guide**

- AirMax hand dryers require a dedicated 20 AMP circuit and must be properly grounded.
- GFI circuit protection is recommended.
- One side of dryer should be mounted to a stud

**Certification Approved**



**IPX1**



**Warranty**



10 year limited warranty  
5 year on motor



Allied Hand Dryer, LLC  
760 W Summt Ave  
San Antonio, TX 78212  
800-535-4393  
sales@handdryer.com  
www.handdryer.com