

VERDEdri™ Q-973A



Hi-Speed Surface-Mounted ADA Compliant Hand Dryers

WORLD DRYER

VERDEdri™ is a high speed, surface-mounted ADA compliant hand dryer featuring HEPA filtration system and antimicrobial technology. VERDEdri is extremely energy efficient utilizing only 950 watts of power. The adjustable two speed motor controls and global universal voltage features accommodate any commercial washroom environment.

Product Benefits

- 12 second dry time
- Automatic surface-mounted ADA compliant simplifies installation and reduces installation costs
- High intensity single port nozzle
- Energy efficient utilizing only 950 watts of power
- HEPA* filter reduces contaminants in the air when hand drying
- Adjustable two speed controls to customize drying time, sound level and energy savings
- Universal voltage – accepts 110-120 / 208 / 220-240 VAC input
- Incorporates SteriTouch® antimicrobial technology inhibiting the growth of bacteria, mold and fungus extending the dryer's service life
- IP24 rating - protection against harmful water ingress
- Replaceable motor brushes extends product life
- Optional adapter kit** for top-entry surface-mounted conduit
- Durable and vandal resistant



Architecture & Engineering Specifications

VERDEdri™ Q-973A hand dryers shall be manufactured by World Dryer® Corporation to include a cover constructed of stainless steel with a brushed finish. All molded plastic components shall incorporate SteriTouch® antimicrobial technology inhibiting the growth of bacteria, mold and fungus extending the dryer's service life. The wall mounting plate shall be constructed of die-cast aluminum finished with chrome plating. The cover shall be attached to the wall mounting plate with tamper-proof screws. Motor shall be universal brush type motor operating at 31,000 RPM and shall be thermally protected. Dryer shall deliver 764 cubic feet per minute of air volume at a velocity of 225 MPH (19,800 LFM). Dryer shall incorporate universal controls accepting 115 / 208 / 230VAC input. Dryer shall incorporate a nichrome heating element protected by an automatic resetting thermal cutoff. Dryer will include a replaceable HEPA (high efficiency particulate air) filter. Dryer shall be activated by an automatic active infrared sensor controlled by a circuit board with a 30 second vandal shut-off. Control board shall contain a motor control switch which can be set to HI or LOW speed settings. Dryer shall provide an exit temperature of 130° F at an ambient temperature of 70° F. Dryer shall have an ingress protection rating of IP24. Hand dryer shall be surface-mounted ADA (Americans with Disabilities Act) compliant and certified to standards of safety by Underwriters Laboratories, Inc. and Canadian Standards Association.

VERDEdri™ Series Product Specifications

Electrical specifications:

	110-120 V	208 V / 220-240 V
Amps	8.3	4.1
Watts	950	950
Hz	50/60	50/60

Cover options:

Stainless Steel - with a brushed (satin) finish

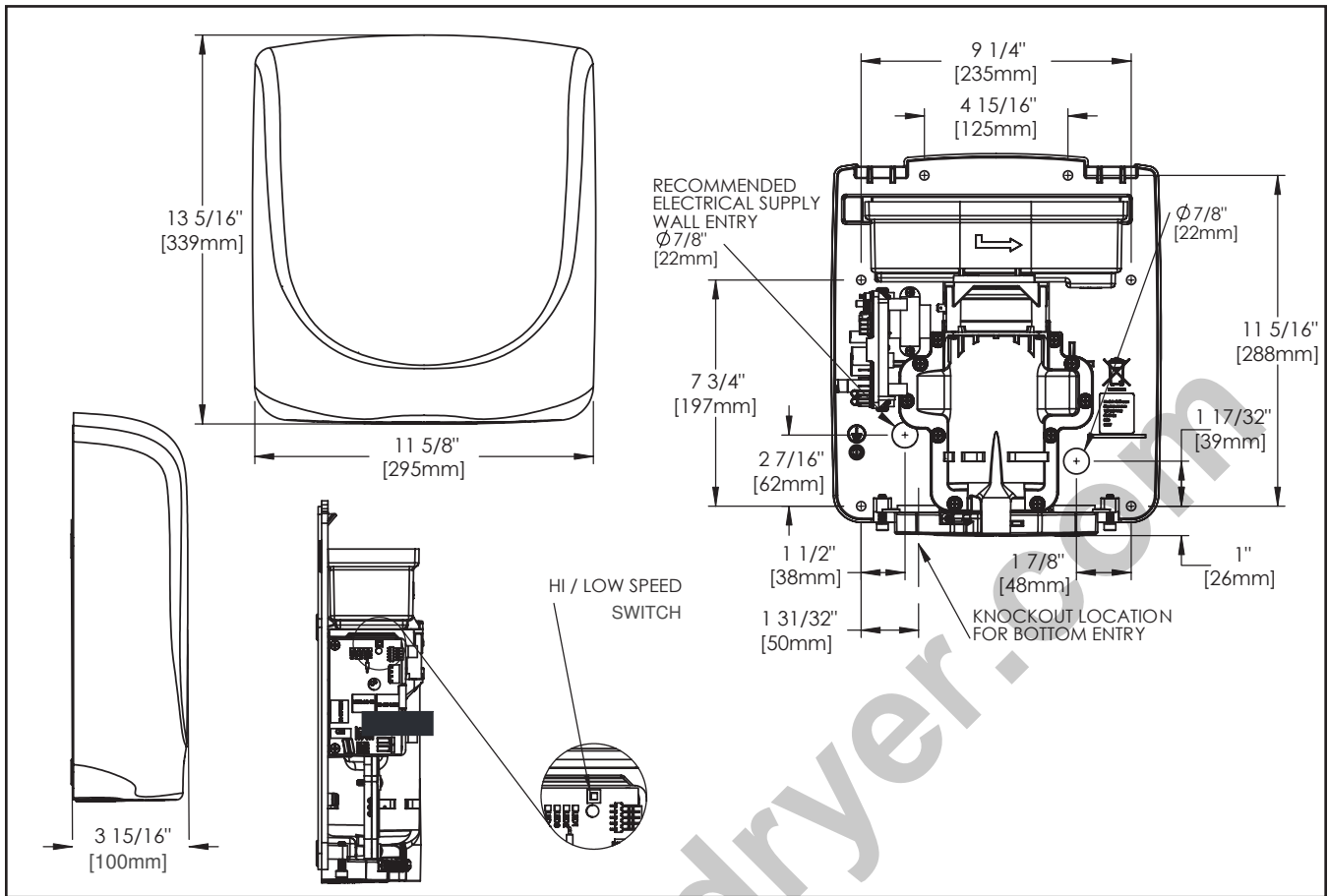
* HEPA filter removes a minimum of 99.97% of contaminants 0.3 microns in size or larger.



** The top entry adapter is used in conjunction with the VERDEdri hand dryer where top entry surface mounted electrical conduit connections are required.

Cover Material	Cover Finish / Kit	110-120 / 208 / 220-240 V	Unit Weight	Shipping Weight	Unit Size (HxWxD) inch/mm	Shipping Size (HxWxD) inch/mm
Stainless Steel	Brushed (Satin)	Q-973A	11.3 lbs / 5.1 kgs	13.4 lbs / 6.1 kgs	13.3" x 11.6" x 3.9" / 339 x 295 x 100	14.2" x 16" x 6.7" / 360 x 405 x 170

** Optional Top Entry Adapter Kit	17-10310	3.8 lbs / 1.7 kgs	5.2 lbs / 2.3 kgs	13.4" x 14.3" x 1.2"	14.8" x 16" x 4.5"
* HEPA Filter	93-10292K	0.4 lbs / 0.9 kgs	0.7 lbs / 1.5 kgs	9" x 3.3" x 3"	9.4" x 3.5" x 3.5"



Placement Instruction

- Hand dryers should be spaced at least 2 feet apart, near but not over the wash basin
- In congested areas, dryers should be located to create a flow from wash basin to dryer to exit
- VERDEdri should be mounted at least 18" above or away from reflective surfaces which may interfere with the automatic sensor operation.
- Dryer Quantity Recommendation:
 Average Traffic: 1 dryer per 2 wash basins
 Heavy Traffic: 1 dryer per wash basin
 Industrial 54" Circular wash fountains: 4 dryers per sink
- Recommended mounting heights from floor to dryer bottom edge

Men's washrooms	46" (117 cm)
Women's washrooms	44" (112 cm)
Children's washrooms, ages 4-7	32" (81 cm)
Children's washrooms, ages 7-10	36" (91 cm)
Children's washrooms, ages 10-13	40" (102 cm)
Children's washrooms, ages 13-17	44" (112 cm)
Handicap Mounting Height	37" (94 cm)

Installation Guide

- VERDEdri hand dryers require a dedicated circuit with a minimum rating of 15 amps and must be properly grounded
- GFI circuit protection is recommended.
- One side of dryer should be mounted to a stud

Certifications



IP24



Warranty



5 year limited warranty



Allied Hand Dryer, LLC
 760 W Summit Ave
 San Antonio TX 78212
 800-535-4393
www.handdryer.com
sales@handdryer.com

