

Airforce™ J-972 Hand Dryer

Hi-speed Energy-Efficient Hand Dryers

WORLD DRYER

Airforce is an environmentally friendly ambient temperature hand dryer. Airforce is manufactured with patented SteriTouch® antimicrobial technology inhibiting the growth of bacteria, mold and fungus extending the dryer's service life. Its modern sleek design complements any washroom décor.

Product Benefits

- 12 second drying time
- Energy efficient – uses only 20% energy of traditional dryers; 30% more energy savings over competitive high speed dryers
- Quiet operation for sound sensitive areas
- Incorporates SteriTouch® antimicrobial technology inhibiting the growth of bacteria, mold and fungus extending the dryer's service life
- Innovative multi-port diffuser nozzle maximizes drying effective and comfort
- Low sound level
- Modular design for easy servicing
- Modern sleek design, easy cleaning
- Automatic operation
- Contemporary stylish design



Architecture & Engineering Specifications

Airforce™ Model J-972 and J4-972 hand dryers shall be manufactured by or for World Dryer® Corporation. The hand dryer cover is to be a Stainless Steel housing with a polished (bright) finish. Motor shall be universal type operating at 34,000 RPM and shall be thermally protected. Dryer shall deliver 105 cubic feet per minute of air volume at 206 MPH. Dryer shall be activated by an automatic active infrared sensor controlled by a circuit board with a 1 second run-on time and 30 second vandal shut-off. Control board to have conformal coating. Dryer shall provide a 40 degree temperature rise, and PC/ABS internal housing components to be V0 or V5 flame retardant. Hand dryers shall be listed under reexamination service of Underwriters Laboratories, Inc.

Electrical specifications:


	110-120 V	208- 240 V
Amps	9.6	4.8
Watts	1100	1100
Hz	60	60

Cover :

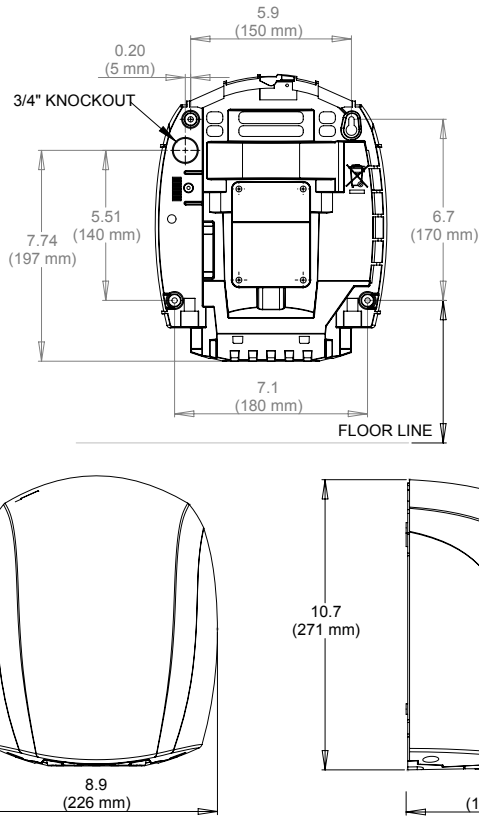
Stainless Steel - with a polished (bright) finish

* Recess kit is available for ADA compliance.

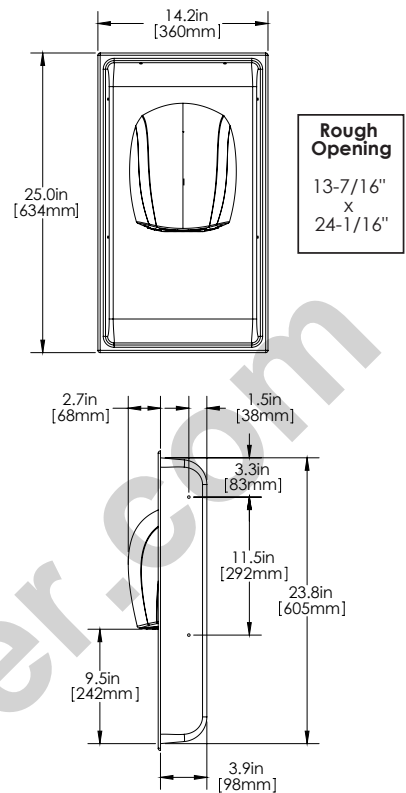
110 -120 V	208 - 240 V	Operation	Mounted	Cover Material, Cover Finish	Unit Weight	Shipping Weight	Unit Size (HxWxD) inch	Shipping Size (HxWxD) inch
J-972	J4-972	Automatic	Surface	Stainless Steel, Polished Finish	7.5 lbs	9.0 lbs	10.7" x 8.9" x 6.5"	14.5" x 11.5" x 8.25"

KJR-973K-1 Optional Recess Kit *	Recessed 	Stainless Steel, Brushed	8.4 lbs	11.9 lbs	25.0" x 15.0" x 4.0"	30" x 15" x 7.88"
----------------------------------	--	--------------------------	---------	----------	----------------------	-------------------

Surface Mounted



Recessed Mounted



Placement Instruction

- Hand dryers should be spaced at least 2 feet apart, near but not over the wash basin
- In congested areas, dryers should be located to create a flow from wash basin to dryer to exit
- Airforce should be placed more than 18" above or away from reflective surfaces which may interfere with the automatic sensor operation.
- Dryer Quantity Recommendation:
Average Traffic: 1 dryer per 2 wash basins
Heavy Traffic: 1 dryer per wash basin
Industrial 54" Circular wash fountains: 4 dryers per sink
- Recommended mounting heights from floor to dryer bottom edge

Men's washrooms	46" (117 cm)
Women's washrooms	44" (112 cm)
Children's washrooms, ages 4-7	32" (81 cm)
Children's washrooms, ages 7-10	36" (91 cm)
Children's washrooms, ages 10-13	40" (102 cm)
Children's washrooms, ages 13-17	44" (112 cm)
Handicap Mounting Height	37" (94 cm)

Installation Guide

- Airforce hand dryers require a dedicated 15 AMP circuit and must be properly grounded
- GFI circuit protection is recommended.
- One side of dryer should be mounted to a stud

Certification Approved



Warranty



5 year limited warranty, 3 years motor & sensor



Allied Hand Dryer, LLC
760 W Summt Ave
San Antonio, TX 78212
800-535-4393
sales@handdryer.com
www.handdryer.com

