

# Model DXA5-973 Hand Dryer



**Most Durable Standard Automatic Hand Dryer**

**WORLD DRYER**

World Model DXA5-973 hand dryer is an automatic hand dryer with the longest motor life and the best washroom solution for all high traffic applications.

**Product Benefits**

- Automatic operation
- Longest life of all dryers
- Lowest sound level
- Durable and vandal resistant
- Classic style design

**Design Features**

**Dryer**

- Activated by infrared sensor
- Automatic drying cycle
- Incorporates a 2100 (optional 1500) watt Nichrome wire heating element Protected by an automatic-resetting, thermal cutoff
- Provides a 70°F temperature rise
- IPX1 ingress protection

**Motor**

- Thermally-protected, universal brush-type motor operating at 7,500 RPM
- Delivering 200 CFM air flow at a velocity of 7,300 LFM

**Materials**

- Cover Material: 14GA Stainless Steel with a #304 brushed finish
- The wall-mounted base is constructed of die-cast aluminum
- The nozzle is constructed of die-cast zinc alloy finished in bright chrome



**Architecture & Engineering Specifications**

World Dryer Model DXA5-973 hand dryers shall include a cover made of 14GA Stainless Steel with a #304 brushed finish. Motor shall be universal type, 1/10 HP at 7500 RPM. Dryers shall deliver 200 cubic feet per minute of air volume (7300 LFM). Infrared sensor detect hands initiates and terminates drying cycle. High-tech sensor control to provide 1,000,000 dry cycles. Hand dryers shall be listed under reexamination service of Underwriters Laboratories, Inc.

**Model DXA5-973 Product Specifications**

**Electrical**

	115 V	115 V	208 - 230 V		277 V
Amps	20	15	10		8.5
Watts	2300	1725	2300		2300
Hz	60	60	60		60

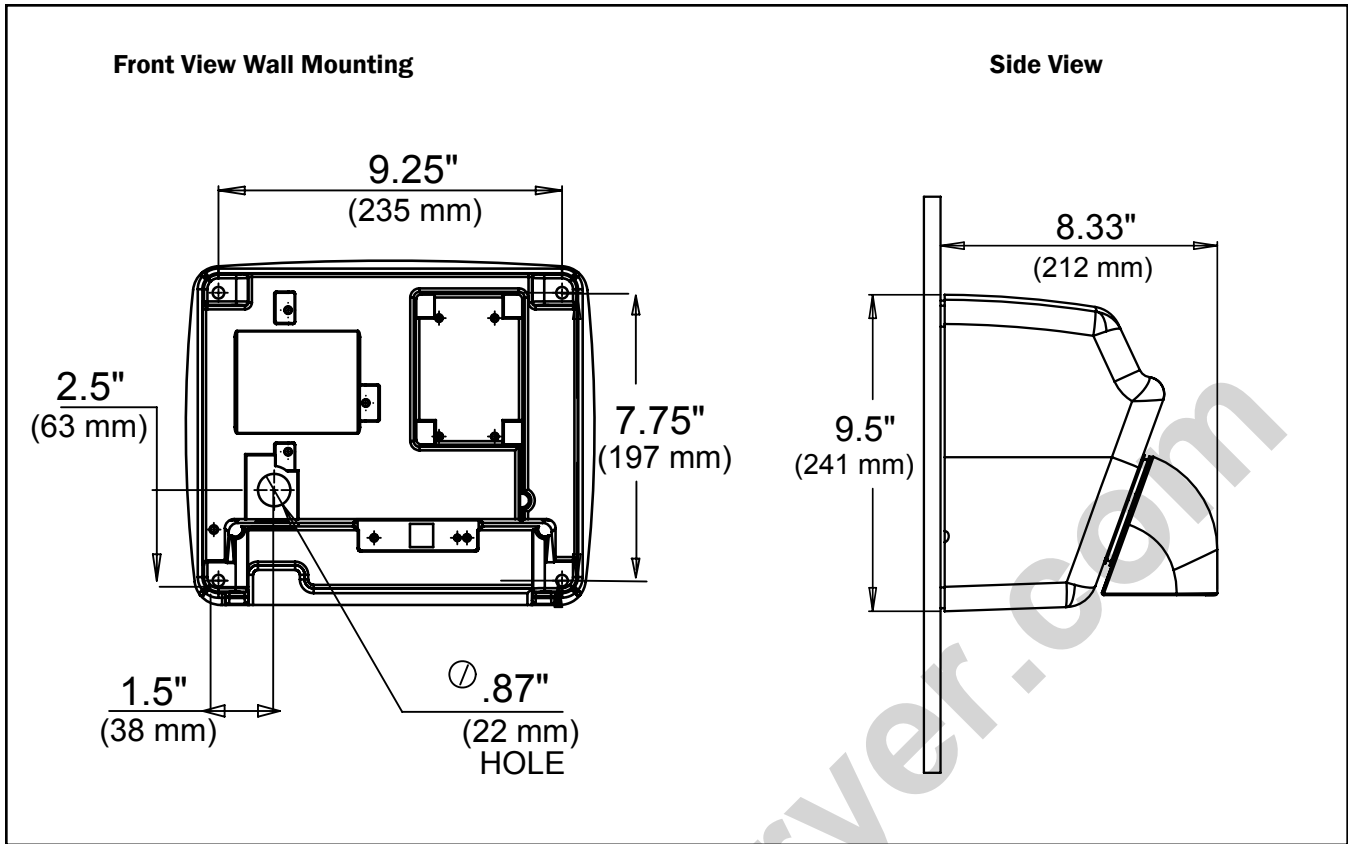
**Unit Size (HxWxD) inch/mm -**

9.5" x 11.3" x 8.3" 241 mm x 287 mm x 211 mm

**Shipping Size (HxWxD) inch/mm**

12.5" x 14.4" x 10.1" 317 mm x 366 mm x 256 mm

Stock #	Cover Finish	Cover Material	Electrical	Unit Weight
DXA5-973	Brushed	Stainless Steel	115V (20 Amp)	18 lbs / 8.16 kgs
DXA52-973	Brushed	Stainless Steel	115V (15 Amp)	18 lbs / 8.16 kg
DXA54-973	Brushed	Stainless Steel	208V - 230V	18 lbs / 8.16 kg
DXA57-973	Brushed	Stainless Steel	277V	18 lbs / 8.16 kg



**Placement Instruction**

- Hand dryers should be spaced at least 2' apart, near but not over the wash basin
- Automatic dryers should be located more than 18" above or away from any reflective surface that may interfere with the sensor operation.
- In congested areas, dryers should be located to create a flow from wash basin to dryer to exit
- Dryer Quantity Recommendation:  
 Average Traffic: 1 dryer per 2 wash basins  
 Heavy Traffic: 1 dryer per wash basin  
 Industrial 54" Circular wash fountains: 4 dryers per sink
- Recommended mounting heights from floor to dryer bottom edge

Men's washrooms	46" (117 cm)
Women's washrooms	44" (112 cm)
Children's washrooms, ages 4-7	32" (81 cm)
Children's washrooms, ages 7-10	36" (91 cm)
Children's washrooms, ages 10-13	40" (102 cm)
Children's washrooms, ages 13-17	44" (112 cm)
Handicap Mounting Height	37" (94 cm)

Measured from floor to the bottom of the unit.

**Installation Guide**

- Model DXA5-973 hand dryers require a dedicated 20 AMP circuit and must be properly grounded.
- GFI circuit protection is recommended.
- One side of dryer should be mounted to a stud

**Certification Approved**



**IPX1**



**Warranty**



10 year limited warranty  
5 year on sensor



Allied Hand Dryer, LLC  
 760 W Summt Ave  
 San Antonio, TX 78212  
 800-535-4393  
 sales@handdryer.com  
 www.handdryer.com