

Model A5 Hand Dryer

Most Durable Standard Push-Button Hand Dryer



WORLD DRYER

World Model A5 hand dryer is "the standard" hand dryer with the longest motor life and the best washroom solution for all high traffic applications.

Product Benefits

- 30 second drying time
- Longest life of all dryers
- Lowest sound level
- Durable and vandal resistant
- Classic style design

Design Features

Dryer

- Activated by electro-mechanical timer with 25 Amp switch
- 30 second drying cycle
- Incorporates a 2100 (optional 1500) watt Nichrome wire heating element Protected by an automatic-resetting, thermal cutoff
- Provides a 70°F temperature rise
- IPX1 ingress protection

Motor

- Thermally-protected, universal brush-type motor operating at 7,500 RPM
- Delivering 200 CFM air flow at a velocity of 7,300 LFM

Materials

- Cover Material: white porcelain enamel finish on 1/4" thick cast iron.
- The wall-mounted base is constructed of die-cast aluminum
- The nozzle is constructed of die-cast zinc alloy finished in bright chrome



Architecture & Engineering Specifications

World Dryer Model A5 hand dryers shall include a cover made of 1/4" thick cast iron with white porcelain enamel finish. Motor shall be universal type, 1/10 HP at 7500 RPM. Dryers shall deliver 200 cubic feet per minute of air volume (7300 LFM). Timer shall be electro-mechanical cam-style with 25 AMP rated switch to operate dryer for 30 second period. Hand dryers shall be listed under reexamination service of Underwriters Laboratories, Inc.

Model A5 Product Specifications

Electrical

	115 V	115 V	208 - 230 V		277 V
Amps	20	15	10		8.5
Watts	2300	1725	2300		2300
Hz	60	60	60		60

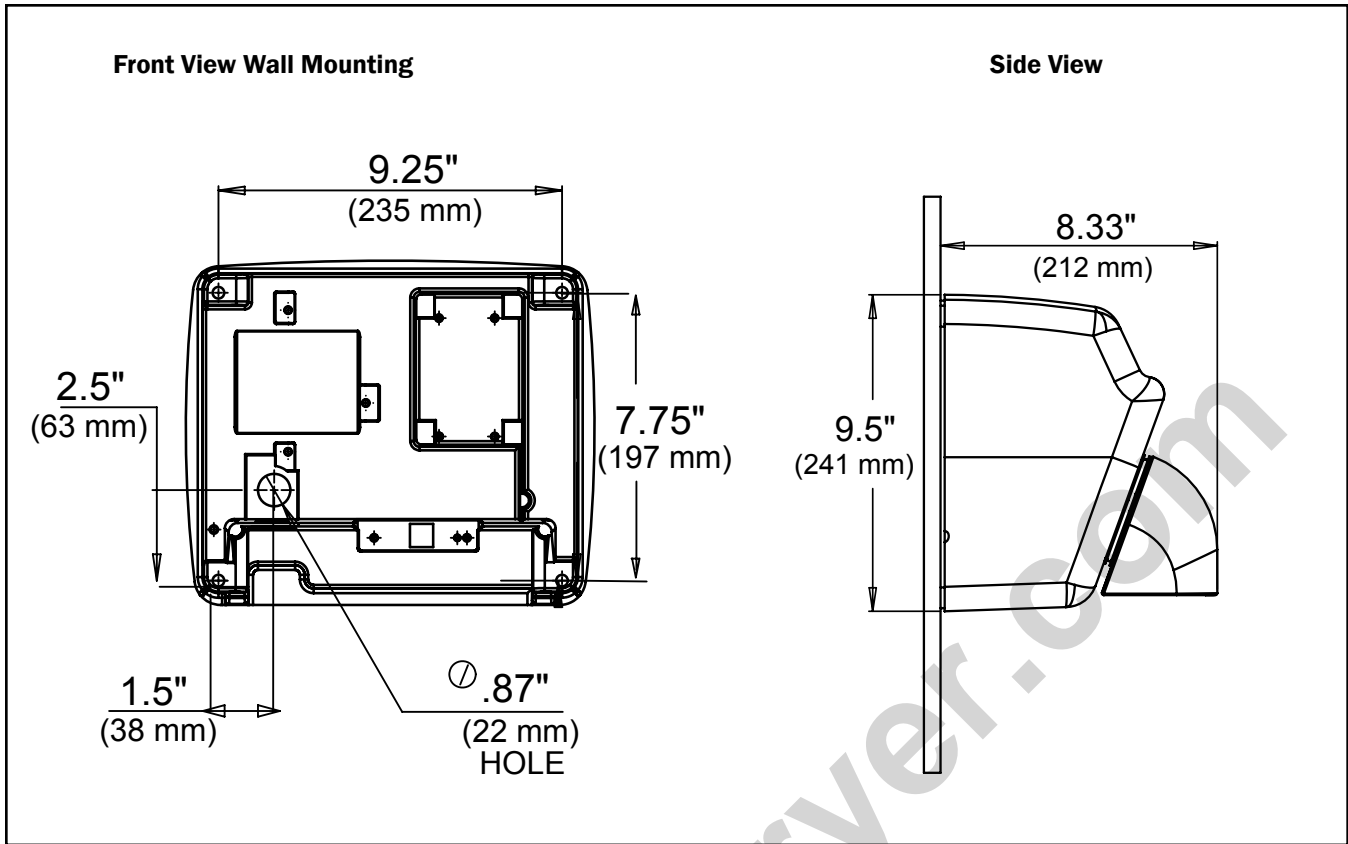
Unit Size (HxWxD) inch/mm -

9.5" x 11.3" x 8.3" 241 mm x 287 mm x 211 mm

Shipping Size (HxWxD) inch/mm

12.5" x 14.4" x 10.1" 317 mm x 366 mm x 256 mm

Stock #	Cover Finish	Cover Material	Electrical	Unit Weight
A5-974	White	Cast Iron	115V (20 Amp)	29 lbs / 13.15 kgs
A52-974	White	Cast Iron	115V (15 Amp)	29 lbs / 13.15 kgs
A54-974	White	Cast Iron	208 - 230V	29 lbs / 13.15 kgs
A57-974	White	Cast Iron	277V	29 lbs / 13.15 kgs



Placement Instruction

- Hand dryers should be spaced at least 2' apart, near but not over the wash basin
- In congested areas, dryers should be located to create a flow from wash basin to dryer to exit
- Dryer Quantity Recommendation:
 Average Traffic: 1 dryer per 2 wash basins
 Heavy Traffic: 1 dryer per wash basin
 Industrial 54" Circular wash fountains: 4 dryers per sink
- Recommended mounting heights from floor to dryer bottom edge

Men's washrooms	46" (117 cm)
Women's washrooms	44" (112 cm)
Children's washrooms, ages 4-7	32" (81 cm)
Children's washrooms, ages 7-10	36" (91 cm)
Children's washrooms, ages 10-13	40" (102 cm)
Children's washrooms, ages 13-17	44" (112 cm)
Handicap Mounting Height	37" (94 cm)

Measured from floor to the bottom of the unit.

Installation Guide

- Model A5 hand dryers require a dedicated 20 AMP circuit and must be properly grounded.
- GFI circuit protection is recommended.
- One side of dryer should be mounted to a stud

Certification Approved



IPX1



Warranty



10 year limited warranty



Allied Hand Dryer, LLC
 760 W Summt Ave
 San Antonio, TX 78212
 800-535-4393
 sales@handdryer.com
 www.handdryer.com