

## Ultronic™ Touchless Automatic Hand Dryers

### Features

- › Quiet for a high speed hand dryer at 82 dB(a)
- › Advanced touchless technology turns unit on and off as hands are sensed
- › Unit is not programmed to run for a pre-determined time
- › Rugged construction
- › Fast drying
- › Five-year warranty
- › Trouble free operation
- › Easy installation



**Ultronic™ S**  
Stainless Steel  
Metallic Finish

### Models

Model	Ultronic™ 1 S	Ultronic™ 2 S
Item number	231584	231586
Phase	Single	Single Single
Voltage	120 V	240 V 208 V
Wattage	985 W	1000 W 775 W
Amperage	8.5 A	4.3 A 3.85 A
Min. required breaker size	15 A	15 A
Min. required wire size	14 AWG	14 AWG
Degree of protection	IP 23	IP 23
Sound level	82 dB	82 dB
Air speed	210 mph / 94 m/s	210 mph / 94 m/s
Air volume	170.7 CFM	170.7 CFM
Drying time (approx.)	15 sec.	15 sec.
Height	11 <sup>3</sup> / <sub>8</sub> " / 289 mm	11 <sup>3</sup> / <sub>8</sub> " / 289 mm
Width	10 <sup>1</sup> / <sub>8</sub> " / 257 mm	10 <sup>1</sup> / <sub>8</sub> " / 257 mm
Depth	9 3/16" / 234 mm	9 3/16" / 234 mm
Weight	9.7 lb / 4.4 kg	9.7 lb / 4.4 kg
Color	Stainless steel	Stainless steel
Housing	Cast aluminum	Cast aluminum



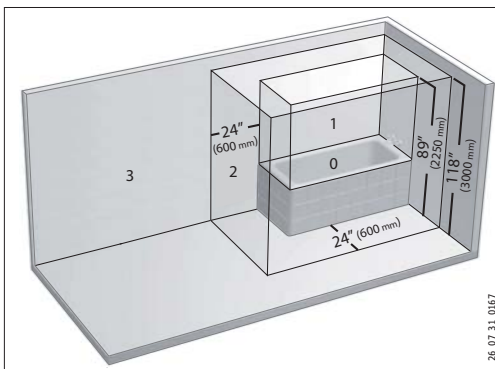
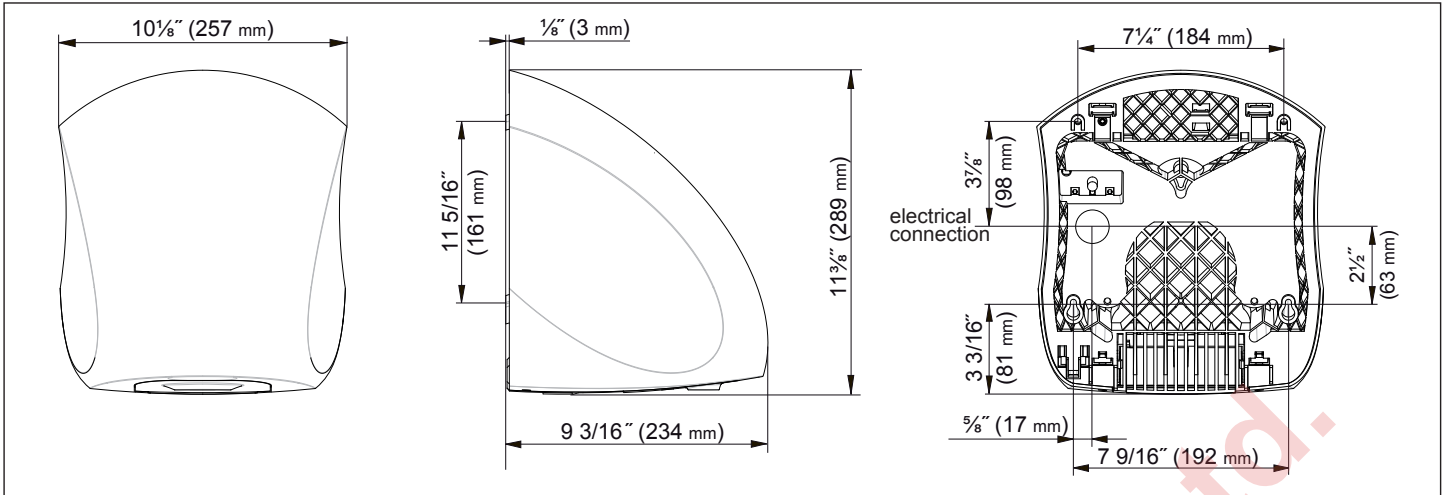
Intertek

Certified to ANSI/UL  
Std. 507  
Conforms to CAN/  
CSA C22.2 No. 113

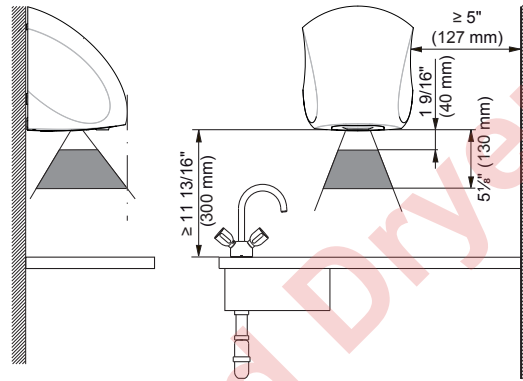
**ISO 9001**  
CERTIFIED



# Dimensions



- 0 DANGER ZONE: do not install unit in bathtubs, showers, or wash basins.
- 1 DANGER ZONE: do not install directly above bathtubs or showers.
- 2 DANGER ZONE: do not install within 24" of bathtubs or showers.
- 3 SAFE AREA: unit must be installed in this area, outside of DANGER ZONES 2, 1 and 0.



## Recommended mounting heights

Age	Age	Height
Adult man		54" (1350 mm)
Adult woman		48" (1250 mm)
Preschool / kindergarten	3 - 5	32" (810 mm)
Elementary school	6 - 10	36" (910 mm)
Middle school	10 - 13	44" (1120 mm)
High school	13 - 18	48" (1250 mm)

# Specification

Ultronic™ hand dryers shall be manufactured by Stiebel Eltron, Inc. to include a cover of cast aluminum. Motor shall be thermally protected brush type with a single shaft. Unit shall have an IP degree of protection of 23. Dryer shall deliver 170 cubic feet per minute of air volume at an air speed of 210 mph and shall be activated by an infrared sensor automatically detecting hands when present. Hand dryer shall be listed under of ETL as conforming to ANSI/UL Std. 507 and certified to CAN/CSA Std. 22.2 No. 113.