

M14A-UL / M14ACS-UL / M14AB-UL

General Description

- High speed "Hands in" hand dryer, with an inovative design, recommended for high traffic areas. Surface ADA-compliant.
- 2 pair of IR Sensors on both sides of the upper covers
- Lowest noise level in its category
- 30 second safety timer.
- Easy maintenance - removable water tank with Biocote protection.
- HEPA filter included as standard.
- GreenSpec approved & offering LEED Credits.



Components & Materials

- **M14A-UL:** High impact ABS UL 94V0 Cover; White. Antimicrobial agent applied in several areas of the dryer and water tank, using silver ion technology from Biocote, resisting the growth of microbes. e.g. bacteria, mould, and fungus, complementing the cleaning routines.
- **M14ACS-UL:** High impact ABS UL 94V0 Cover; Satin. Antimicrobial agent applied in several areas of the dryer and water tank, using silver ion technology from Biocote, resisting the growth of microbes. e.g. bacteria, mould, and fungus, complementing the cleaning routines.
- **M14AB-UL:** High impact ABS UL 94V0 Cover; Black. Antimicrobial agent applied in several areas of the dryer and water tank, using silver ion technology from Biocote, resisting the growth of microbes. e.g. bacteria, mould, and fungus, complementing the cleaning routines.
- **ADJUSTABLE MOTOR:** High pressure universal brush motor, class A isolated, fully adjustable (19,000-28,000 rpm) potentiometer allowing electricity consumption to be regulated, Class A; The motor includes a self resettable thermal cut off that it opens at 239°F. Automatic disconnection system after 30 seconds of continuous use.
- **HEATING ELEMENT:** 250 Watts. It can be easily switched off by means of ON/OFF button.
- **FILTER:** Cartridge that holds an HEPA filter medium that filters suspended solid particles (pollen, dust mites, cigarette smoke, etc.), notably improving the air quality.
- **WATER TANK:** Fully removable water tank with Biocote protection, and an outside valve for easy emptying. It is possible to connect the water outlet to the waste pipe directly.
- **LED DISPLAY:** Luminous frontal leds for a quick diagnosis of the hand dryer status, including an acoustic and optical warning of full water tank. (green color: device working, blue color, when water collection tank needs emptying; red color: check the motor)

Technical Specifications

Voltage - 100-120V; 208V; 220-240V	Total power - 350-1,300 W
Frequency - 50/ 60 Hz	Motor power - 350-1,050 W
Insulation - Grounding required (Class I)	Heating element power - 0 or 250 W
Dimensions - 26 1/8"H x 12 5/8"W x 9"D	Consumption - 8-10 A (120 V): H. Element "ON" 6-8 A (120 V): H. Element "OFF"
Weight - 18,3 Lbs.	r.p.m. - 19,000-28,000 rpm
Effective airflow - 55 - 89 CFM	Air temperature - (at 4" distance/ T _{amb} . 70 °F) 104 °F
Max air velocity: 233 mph/ 20,468 LFM	Drying time - 10-15 sec
Protection level - IPX4	Noise level (at 79") - 62-72 dBA

Operation

Place hands into cavity of hand dryer. Slowly move hands up and down until dry. An electronic system based on infrared sensors will detect them and the unit will start automatically working and go on with no interruption during 30 seconds. When hands are removed the dryer will stop.

Please mark the selected item



code

M14A-UL

material
high impact
ABS UL 94V0
cover
finish
white



code

M14ACS-UL

material
high impact
ABS UL94V0
cover
finish
satin



code

M14AB-UL

material
high impact
ABS UL94V0
cover
finish
black



Saniflow Corp reserves the right to make changes and/or modifications to the products and their specifications without warning or notice.

ALLIED HAND DRYER, LLC
San Antonio, TX 78212

Phone 800.535.4393
Fax 210.308.5924

www.handdryer.com
sales@handdryer.com

Installation

Verify all rough-in dimensions prior to installation. Hand dryers require a dedicated circuit and must be properly grounded. A GFCI (Ground fault circuit interrupter) is recommended. The ideal location is between the wash-basin and exit. It is recommended that hand dryers be distributed throughout the washroom area to avoid overcrowding.

Certificates & Qualifications

Fulfill ADA requirements for a barrier-free washroom. GreenSpec approved & offering LEED Credits. UL and CSA approved according to UL 499 and CSA C22.2 standards.

N° dryers to be fitted

- In toilet areas with a normal frequency of use and only one wash-basin: 1 dryer.
- In toilet areas with a normal frequency of use and more than one wash-basin: 1 dryer for each 2-3 wash basins.
- In toilet areas with multiple wash basins: 4 wash basins: 2 dryers; 1 row of 6 wash basins: 2-3 dryers; 1 row of 8 wash basins: 3 dryers.

Ideal location

Between the wash-basin and exit. It is not recommended to install dryer between wash-basins, next to urinals, lavatories and showers. It is recommended that hand dryers be distributed throughout the washroom area to avoid overcrowding.

Guide specification

Surface-mounted ADA-compliant hand dryer shall have a high impact 1/8" thick ABS cover in white (M14A-UL) satin finish (M14ACS-UL) and black (M14AB-UL). Hand dryer shall include a fully adjustable (19,000 -28,000 RPM) universal-type brush motor, with a heating element (switch on/off option) power of 250W. Noise level should be from 62-72 dBA while delivering 55-89 CFM of air at 104°F and 233 mph as maximum air velocity (Max - 20,451 LFM) during user controlled drying cycle. Dryer shall have a total power of 350-1,300 W with a consumption of 8 to 10 A with the heating element "On". Protection level against water splashes should be rating IPX4.

Unit shall be UL and CSA approved, according to UL 499, 13th Edition, CSA C22.2 standards, and GreenSpec approved.

Overall dimensions:

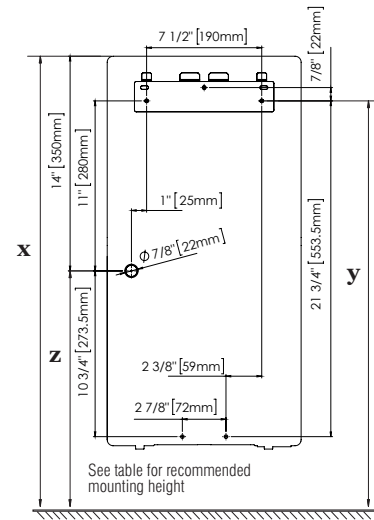
M14A-UL, M14ACS-UL, M14AB-UL: 26 1/8"H x 12 5/8"W x 9"D (665 mm x 320 mm x 228 mm)
Weight: 18.3 Lbs. (8.3 kg)

Recommended heights from floor

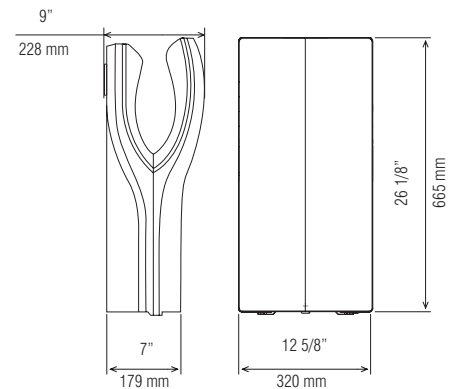
	Male	Female	Child	Disabled
x To top of machine	36 1/4" / 92 cm	36 1/4" / 92 cm	34 1/4" / 84 cm	34 1/4" / 84 cm
y To mounting brackets	33 1/2" / 85 cm	33 1/2" / 85 cm	31 1/2" / 80 cm	31 1/2" / 80 cm
z To electrical entry point	22 1/2" / 57 cm	22 1/2" / 57 cm	20 1/2" / 52 cm	20 1/2" / 52 cm



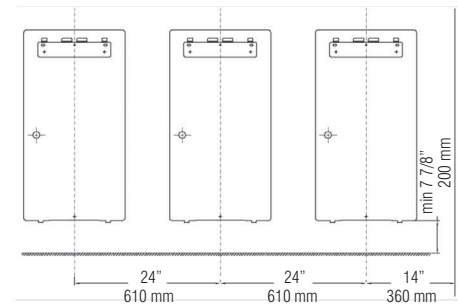
MOUNTING



M14A-UL / M14ACS-UL / M14AB-UL



Serial mounting



Job:

Architect / Engineer:

City / State / Country:

Model number:

Contractor:

Date:

Variations:

Customer / Wholesaler:

Quantity:

Saniflow Corp reserves the right to make changes and/or modifications to the products and their specifications without warning or notice.

ALLIED HAND DRYER, LLC
San Antonio, TX 78212

Phone 800.535.4393
Fax 210.308.5924

www.handdryer.com
sales@handdryer.com