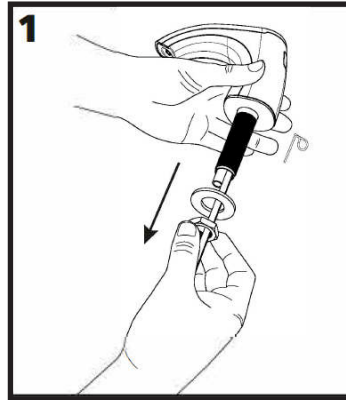


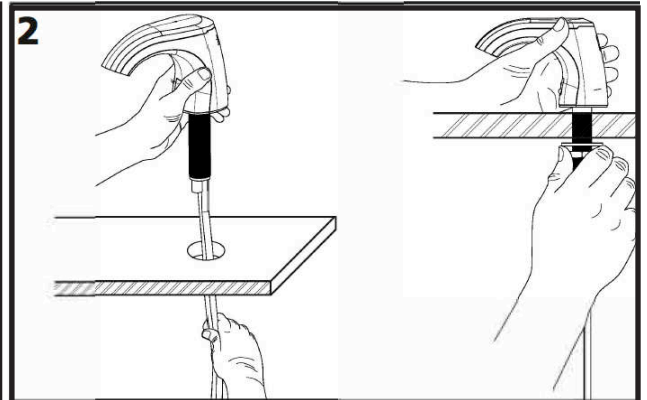
TOP FILL SOAP DISPENSER INSTALLATION GUIDE

Counter prep:

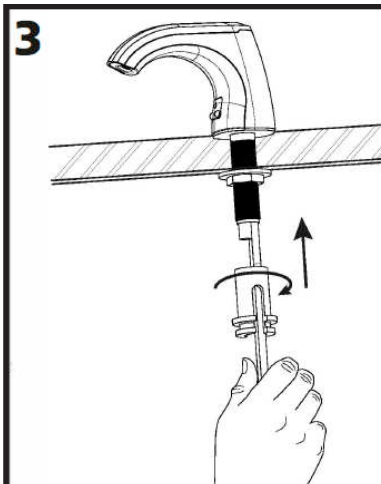
- If there is a dispenser currently installed:
 - Remove the existing dispenser
 - Clean the counter surface of debris or residue.
 - Verify the diameter of the existing counter hole is 15/16" to 1-1/4"
- If there is no hole in the counter:
 - Prior to drilling, examine below the counter to ensure adequate clearance for the new unit.
 - Drill a 1" diameter hole in the counter top.
 - The hole can be drilled to either the right or the 2 left of the faucet. Ensure adequate clearance below the counter.



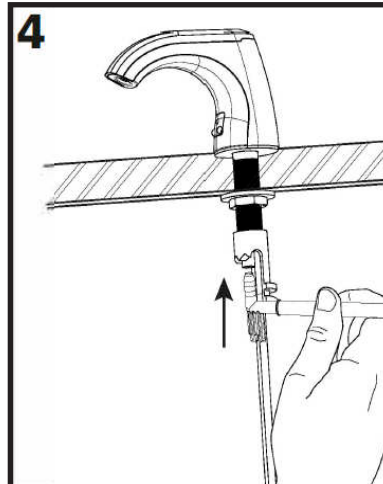
1 Remove Stem Extender, Nut and Washer from Stem.



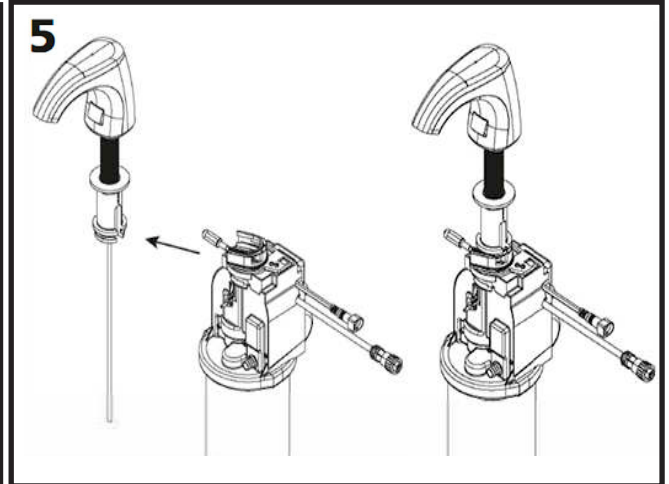
2 Insert Spout into counter hole. Align the Spout in the desired position. From the underside of the counter, assemble the Washer, then the nut onto the Stem and tighten. For proper installation, counter thickness cannot exceed 2-5/8".



3 Thread the Stem Extender onto the Stem until it stops.



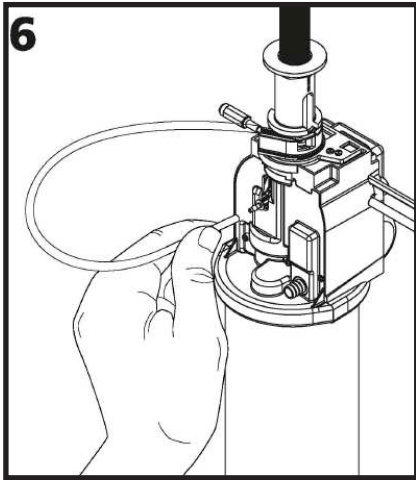
4 Insert the Fill Tube Extender into the large tube as shown (A 1/4" nut driver maybe used to help insert the Fill Tube Extender).



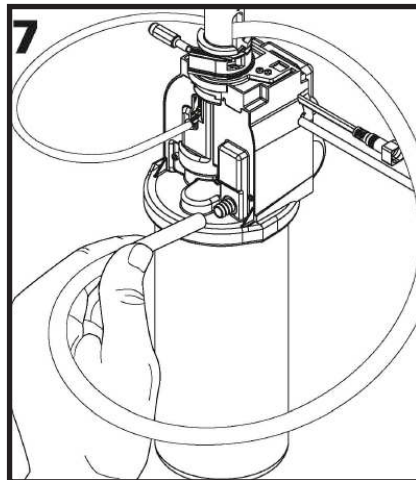
5 Slide Pump Assembly onto pump extender.

SLOAN LIMITED WARRANTY SUMMARY

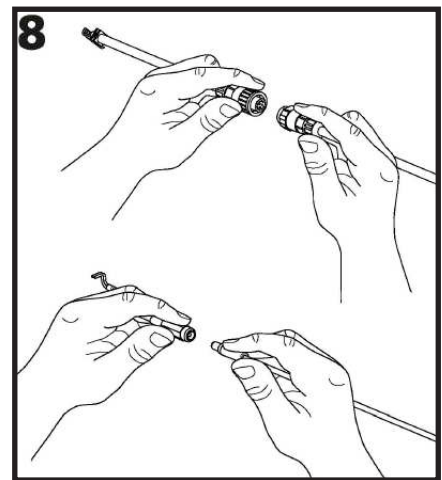
Sloan Valve Company ("Sloan"), warrants its products against defects in materials and workmanship, excluding damage caused by matters beyond Sloan's reasonable control. Instructions for filing claims can be found in the Limited Warranty which can be obtained at www.Sloan.com or by requesting a free copy by telephone at 888.756.2614. Sloan will repair or replace your defective product, or provide a refund, as your exclusive remedy. This is only a general summary of Sloan's Limited Warranty so it is important to note that the specific terms, conditions, limitations and exclusions, including the duration of warranty coverage for your particular Sloan product, are contained in the actual Sloan Limited Warranty. The Limited Warranty is subject to applicable laws in your country, state, province or other jurisdiction—and disputes arising under the Limited Warranty are to be resolved by binding arbitration unless you provide Sloan with an opt-out notice no later than 30 days after your purchase date. In case of a conflict with this summary, the terms and conditions set forth in the complete Limited Warranty will prevail.



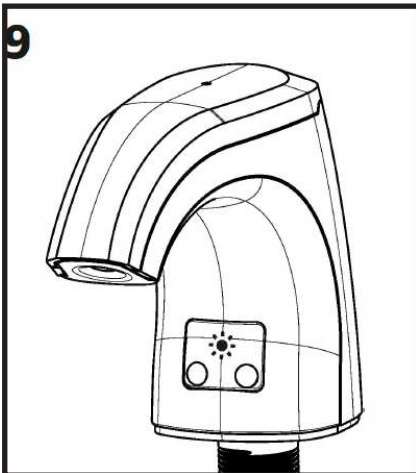
Insert the small tube over the pump outlet.



Insert the Fill Tube over the Pump Assembly connector.



Connect the Yellow Data Connector.
Connect the Power Connector to battery box or AC adaptor.



The Spout indicator light will alternate between RED and YELLOW for 15 seconds.

10
See next page for filling instructions

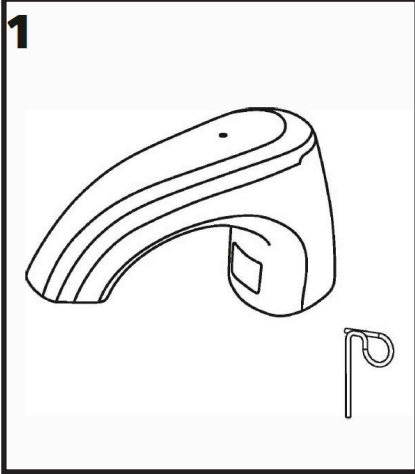
CLEANING THE DISPENSER

If the tip of the soap nozzle is clogged, the dispensing capability may fail or function partially. Clean the nozzle according to the following procedure:

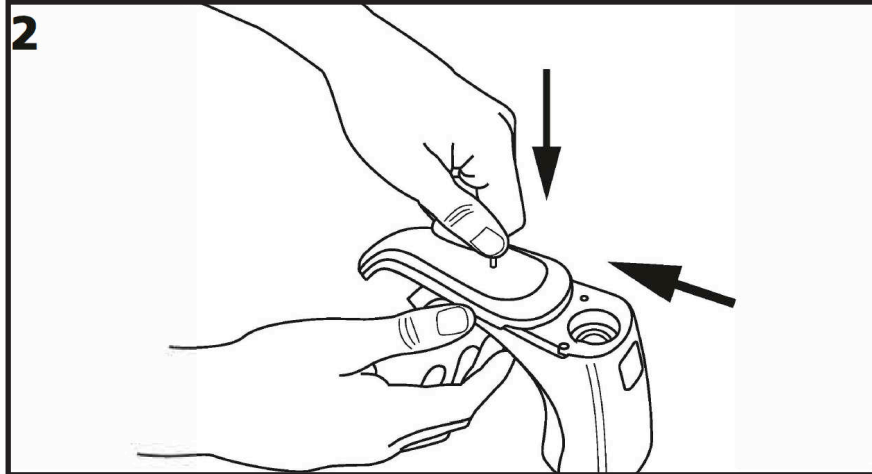
- Press the operation switch to OFF (the operation light goes off).
- Remove the nozzle using a 2.5 mm Hex key. Next, remove the internal mesh. Wash it with lukewarm water.
- Insert the mesh and then the nozzle back into the spout and tighten with the hex key.
- Turn ON the operation switch (the operation light goes on). Check the foam soap spraying state.
- Repeat as needed

SLOAN®

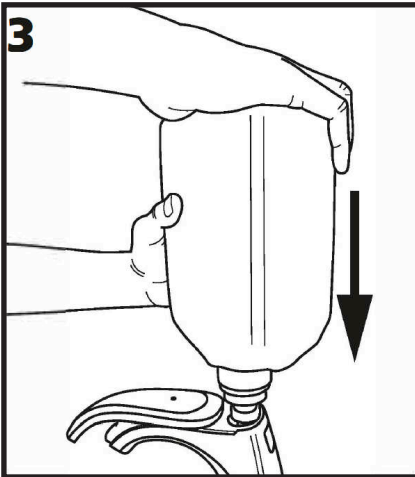
FIXTURE FILLING INSTRUCTIONS



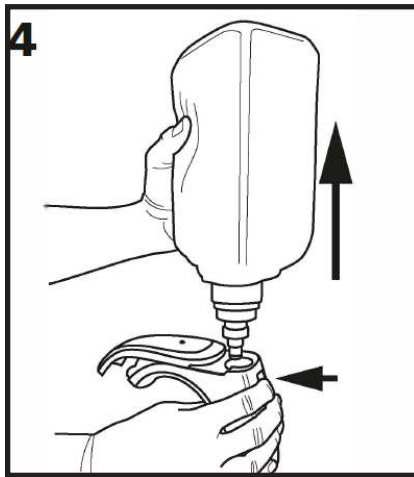
Spout and key.



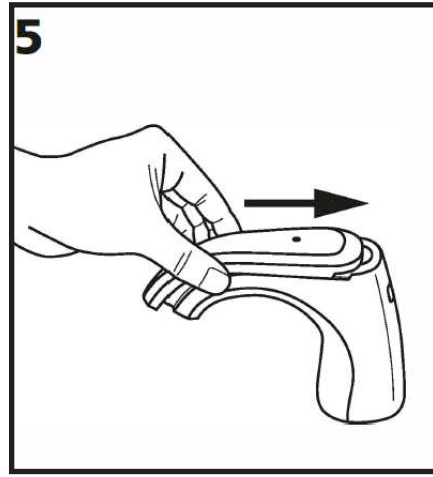
Insert Key into hole in top of Spout, then slide Spout door forward.



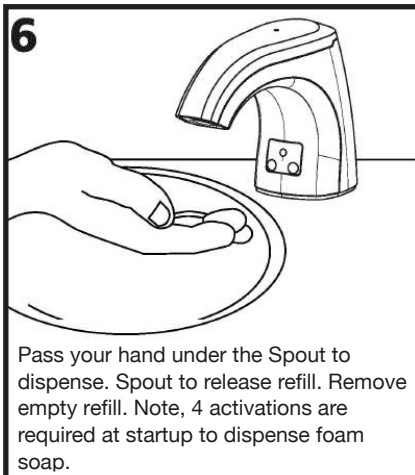
Remove Dust Cap from Soap Refill, then insert into Spout opening until the Refill clicks into place. Orange light indicates soap is flowing into dispenser. If orange light does not illuminate, adjust position of refill until it comes on.



Depress Refill Release Button on back of Spout to release refill. Remove empty refill.



Push Spout door back into locked position.



Pass your hand under the Spout to dispense. Spout to release refill. Remove empty refill. Note, 4 activations are required at startup to dispense foam soap.

To Order Replacement Soap Cartridges:

800.321.9647

GOJO Industries

Refills are also available through your local plumbing or janitorial supply distributor.

When the soap bottle is empty, a new bottle must be used. The bottle furnished with the unit is not designed to be refilled. Altering the bottle and refilling it with soap will void the warranty of the product.

ALLIED HAND DRYER, Ltd. • 706 W SUMMIT AVE • SAN ANTONIO, TX 78212

Phone: 1.800.535.4393 or 1.210-733-5918 • Fax: 1.210.308.5924 • www.handdryer.com

Copyright © 2022 SLOAN VALVE COMPANY



FIXTURE FILLING INSTRUCTIONS

REPAIR ITEMS LIST		
Part Number	Material Number	Description
ESD-124	33461026	Spout with 2L Reservoir and Motor
ESD-113	03460019	Battery Pack
ESD-347	33461021	Soap Refills-Must purchase in quantities of 4
ESD-117	33461023	AC Plug
ESD-118	03460021	Hardwire Kit

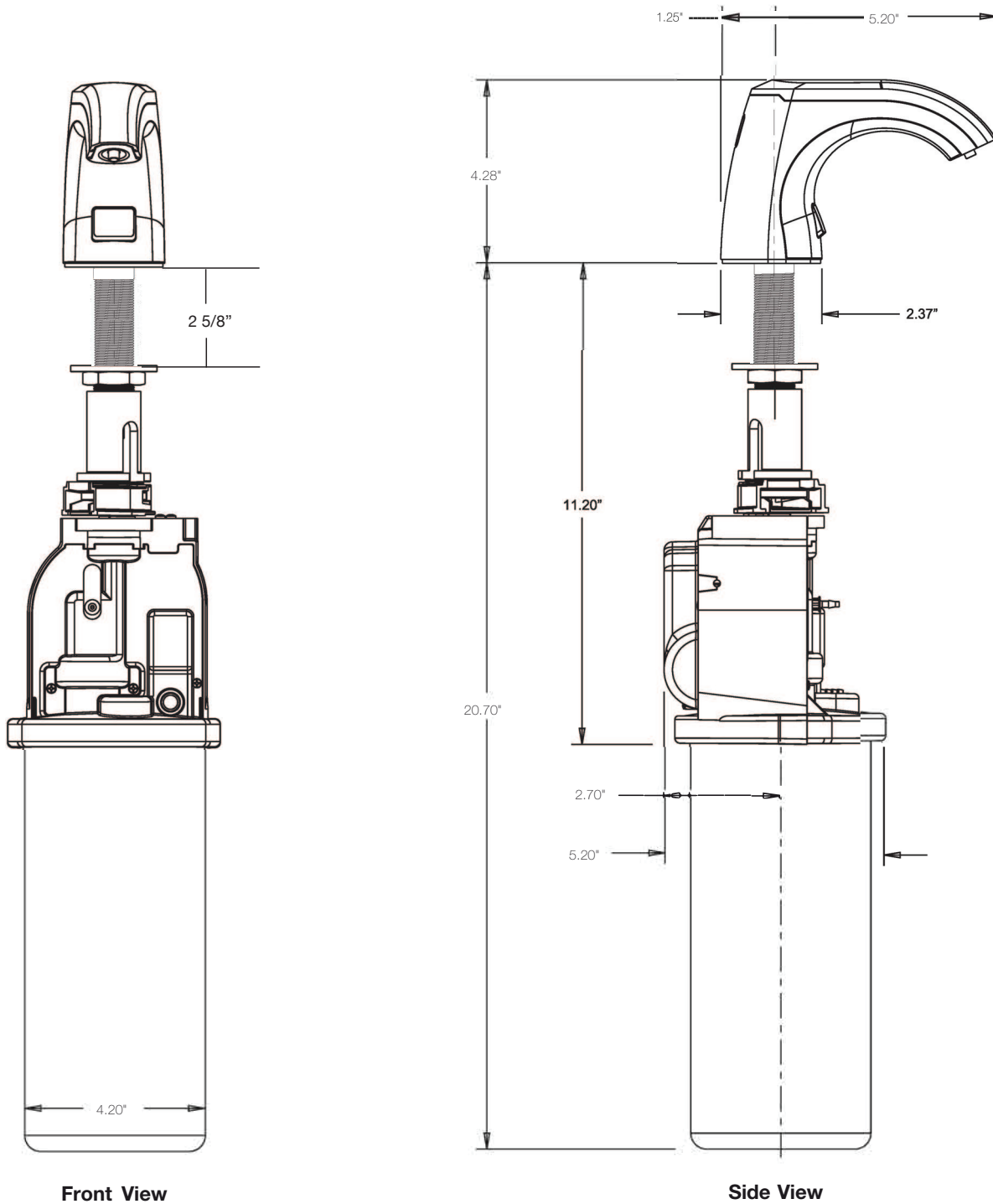
ALLIED HAND DRYER, Ltd. • 706 W SUMMIT AVE • SAN ANTONIO, TX 78212

Phone: 1.800.535.4393 or 1.210-733-5918 • Fax: 1.210.308.5924 • www.handdryer.com

Copyright © 2022 SLOAN VALVE COMPANY

SLOAN®

Use the dimensions provided to ensure proper fit and placement of your counter mount dispensing fixture and energy options.



SLOAN®

Phone: 800.535.4393 • Fax: 1.308.5947 • www.handdryer.com