

CODE NUMBER

3366139

DESCRIPTION

Recess Kit for the Sloan® XLERATOR® and Sloan® XLERATOReco® Sensor Activated, Surface-Mounted Hand Dryer (hand dryer not included).

FEATURES & SPECIFICATIONS

- Recess Kit makes the Sloan® Xlerator® and Sloan® XLERATOReco® hand dryers complaint with the ADA 4" protrusion requirement.
- Wall Box fabricated from 22 GA 18-8 Type 304 Stainless Steel with #4 Brushed (Satin) Finish on Stainless Steel. All welded construction.
- Mounting Plate fabricated from 16 GA 18-8 Type 304 Stainless Steel.
- Overall Dimension: Depth 3.375 in x Height 26 in x Width 14.375 in Weight: 11 lbs.
- Rough Wall Opening: Depth 4 in x Height 24.375 in x Width 14.5 in
- When installed, the bottom of the hand dryer will be 10 in above the bottom of rough opening. Therefore, the bottom of the rough opening should be 10 in below the suggested mounting height (see suggested mounting height table below).



COMPLIANCES & CERTIFICATIONS

- Proposition 65 and ADA Compliant

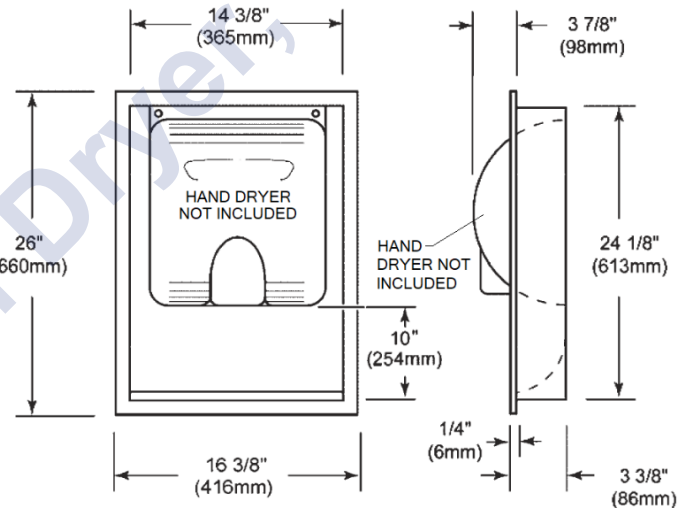


**SUGGESTED MOUNTING HEIGHTS
(FROM FLOOR TO BOTTOM OF DRYER)**

Men's	45 in (114cm)
Ladies'	43 in (109cm)
Teenagers'	41 in (104cm)
Children	35 in (89cm)
Accessible	37 in (94cm)

NOTE

All information contained within this document subject to change without notice.



Allied Hand Dryer