

Model DB-972 AirStyle Hair Dryers



Durable Commercial Hair Dryers

WORLD DRYER

World Airstyle Model DB-972 series commercial hair dryers are designed for health clubs, locker rooms and schools. Featuring high-power 80 second drying cycle, Airstyle is one of the safest and high-vandal resistant hair dryer in the market.

Product Benefits

- High power 80 second drying cycle
- Quiet operation for sound sensitive areas
- Durable and vandal resistant
- Designed for use in health clubs, locker rooms and schools
- Push-button operation
- Surface mounted
- Adjustable swivel nozzle
- Classic style design

Design Features

- IPX1 ingress protection
- Thermally-protected, universal brush-type motor operating at 7,500 RPM
- Delivering 200 CFM air flow at a velocity of 7,300 LFM of warm air
- Cover material: 14GA thick #304 stainless steel with a polished finish

- Cam-operated timer designed to operate the hair dryer for no less than 80 seconds after activation
- Chrome plated nozzle to revolve 360°



Architecture & Engineering Specifications

Airstyle™ Model DB-972 hair dryers shall be manufactured by or for World Dryer to include a cover made of 14 gauge #304 Stainless Steel with a polished (bright) finish. Motor shall be universal type, 1/10 HP at 7500 RPM. Dryers shall deliver 200 cubic feet per minute of air volume (7300 LFM). Dryers shall be activated by means of a pushbutton control device. Timer shall be electro-mechanical cam-style with 25 AMP rated switch to operate for no less than 80 seconds after activation. Chrome plated nozzle to revolve 360°. Hair dryer shall be listed under reexamination service of Underwriters Laboratories, Inc.

Model B Series Product Specifications

Electrical

	115 V	115 V	208 - 230 V	220 - 240 V	277 V *
Amps	20	15	10	50 Hz Not Available in North America	8.5
Watts	2300	1725	2300		2300
Hz	60	60	60		60

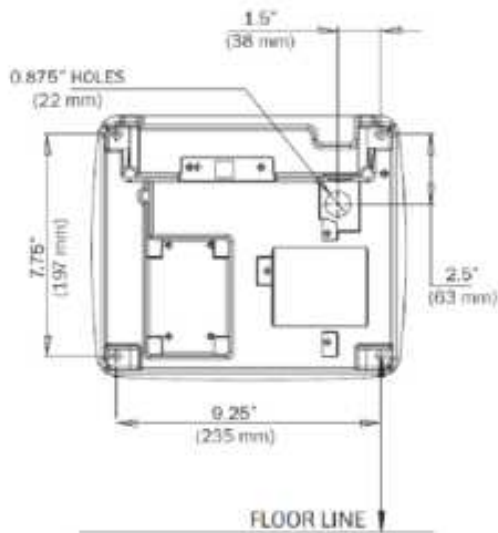
* 277 Volts unit available for additional fee

Surface Mounted

Unit Size (HxWxD) 9.6" x 11.3" x 9.4" (244 mm x 287 mm x 238 mm)
Shipping Size (HxWxD) 11.3" x 15" x 13" (285 mm x 385 mm x 330 mm)

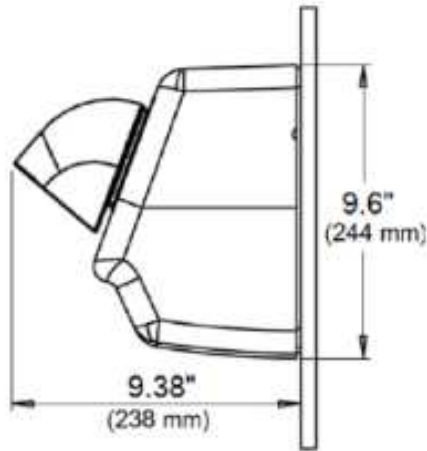
Stock #	Cover Finish	Cover Material	Electrical	Unit Weight
DB-972	Polished	Stainless	115V (20 Amp)	15.6 lbs / 7.1 kgs
DB1-972	Polished	Stainless	115V (15 Amp)	15.6 lbs / 7.1 kgs
DB3-972	Polished	Stainless	208V - 230V	15.6 lbs / 7.1 kgs
DB7-972*	Polished	Stainless	277V*	15.6 lbs / 7.1 kgs

* 277 Volts unit available for additional fee



Front View Wall Mounting

(Looking Thru Dryer)



Side View



Front View

Placement Instruction

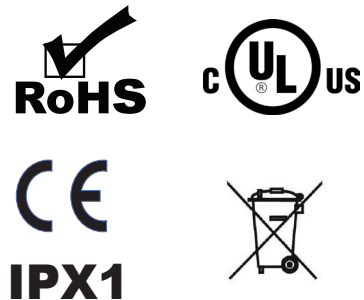
- Hair dryers should be spaced at least 2' apart
- Dryer Quantity Recommendation:
Average Traffic: 1 dryer per 2 shower heads
Heavy Traffic: 1 dryer per shower heads
- Recommended mounting heights from floor to dryer bottom edge

Recommended Mounting Heights from Floor to Dryer Bottom Edge	in. (cm.)
Men's washrooms	68" (173 cm)
Women's washrooms	59" (150 cm)
Children's washrooms, ages 4-7	41" (104 cm)
Children's washrooms, ages 7-10	48" (122 cm)
Children's washrooms, ages 10-13	54" (137 cm)
Children's washrooms, ages 13-17	59" (150 cm)
Handicap Mounting Height	40" (102 cm)

Installation Guide

- Model B hair dryers require a dedicated 20 AMP circuit and must be properly grounded
- GFI circuit protection is recommended in wet or damp locations
- One side of dryer should be mounted to a stud

Certification Approved



Warranty



10 year limited warranty



Allied Hand Dryer, LLC
760 W Summit Ave
San Antonio, TX 78212
800-535-4393
sales@handdryer.com
www.handdryer.com

