

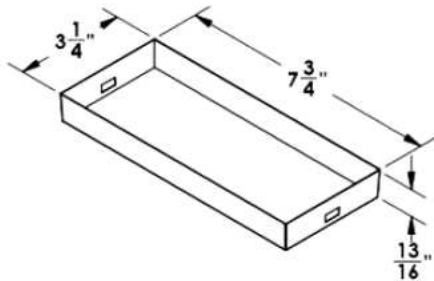
XLERATOR®/XLERATOReco® HAND DRYER HEPA PRE-FILTER (Replacement Only) - Part #94



PRE-FILTER (ONLY)

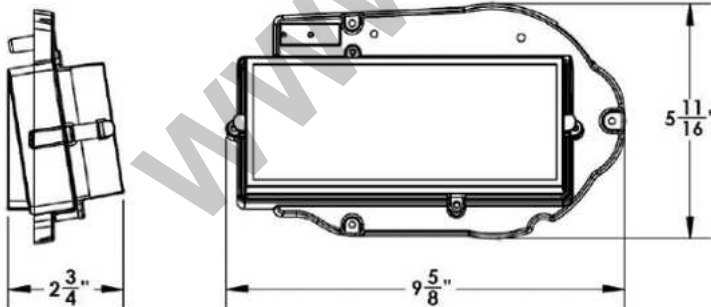
PART # 94

HEPA Filter #40520 & Filter Adapter Not Included



FULL HEPA FILTER ASSEMBLY

Pre-Filter #94 Shown with
HEPA Filter #40520 with Spring Clips & Filter Adapter



(HEPA Filter #40520 with Spring Clips & Filter Adapter Not Included)

Part ID Description

94 XLERATOR HEPA Pre-Filter (Replacement Only)

Corrosion resistant, reusable stainless steel mesh screen that traps large particles and protects the HEPA Filter media. The Pre-Filter is designed with an easy detaching clip system, allowing it to be removed without any tools for rinsing and cleaning of debris, and then reattached with a simple snap fit. These springs clips come as an integral part of the replacement HEPA Filter (Part #40520) and/or with the HEPA Filter Retro Kit (Part #40525).

COMPONENTS REQUIRED BUT NOT INCLUDED WITH THE HEPA PRE-FILTER #94 (SEE PART #40525 RETRO KIT)

- HEPA Filter (Not Included)**
Filters 99.97% of bacteria at 0.3 microns from the air stream. Replacement HEPA Filters are available separately (Part #40520) or come included with the HEPA Filter Retro Kit (Part #40525).
- Filter Adapter (Not Included)**
This component serves as the connecting piece between the HEPA Filter #40520 and the motor. It creates an airtight seal to the motor and the HEPA Filter using perimeter closed-cell gaskets. This piece is only available as part of the HEPA Filter Retro Kit (Part #40525).
- Pre-Filter Spring Clips (Not Included; Integral to HEPA Filter)**
Corrosion resistant clips that easily flex outward to remove the Pre-Filter (Part #94) for cleaning. The Pre-Filter is designed to snap easily into place. The spring clips come pre-attached to the HEPA Filter (Part #40520) when purchased separately or included with the HEPA Filter within the HEPA Filter Retro Kit (Part #40525).

MAINTENANCE

⚠ WARNING: TO REDUCE THE RISK OF ELECTRIC SHOCK, FIRE & PERSONAL INJURY, INSIDE CLEANING MUST BE PERFORMED BY QUALIFIED SERVICE PERSONNEL.

The expected lifespan of this HEPA Filter (Part #40520) can be significantly increased with the proper use & maintenance of this Pre-Filter (Part #94). It is generally recommended that the durable and removable stainless steel mesh Pre-Filter be inspected & cleaned any time the XLERator's performance diminishes. In environments that contain excessive amounts of lint, dust, or other particles in the ambient air, regular periodic cleaning is recommended. With proper maintenance of the Pre-Filter, the HEPA Filter can last over 5 years.

⚠ DO NOT CLEAN THE HEPA FILTER OR ALLOW IT TO COME INTO CONTACT WITH WATER

NOTE: The complete HEPA filtration system is available as an installed option on the XLERATOR and XLERATOReco (when specified at the time of purchase) or can easily be retrofitted into existing units with the #40525 HEPA Filter Retro Kit.



TIME TO THROW IN THE TOWEL®

ALLIED HAND DRYER, LLC
San Antonio, TX

1.800.535.4393
1.210.733.5918

www.handdryer.com
sales@handdryer.com

APRIL
2017

16HFS0007