

Galaxy™ Hand Dryers - Touchless Automatic**Features**

- › Ultra quiet hand dryer at 53 dB(a)
- › Advanced touchless technology turns unit on and off as hands are sensed
- › Unit is not programmed to run for a pre-determined time
- › Rugged construction
- › Contemporary design
- › Fast drying
- › Five-year warranty
- › Trouble free operation
- › Easy installation

Applications**Ideal for:**

- › Restaurants
- › Office buildings
- › Banks
- › Hospitals
- › Athletic stadiums
- › Malls
- › Department stores
- › Gas stations
- › Prisons
- › Hotels
- › Schools
- › Airports
- › Professional offices

**Models & Specifications**

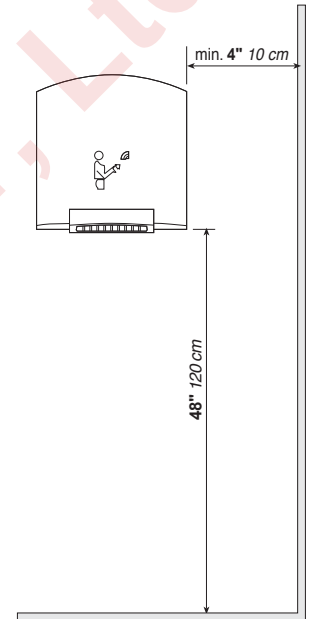
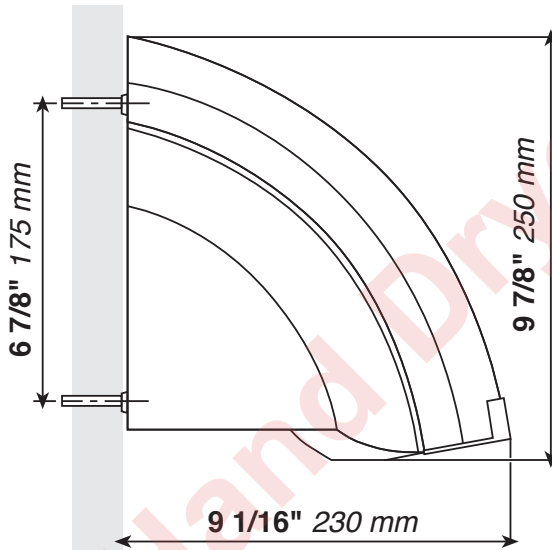
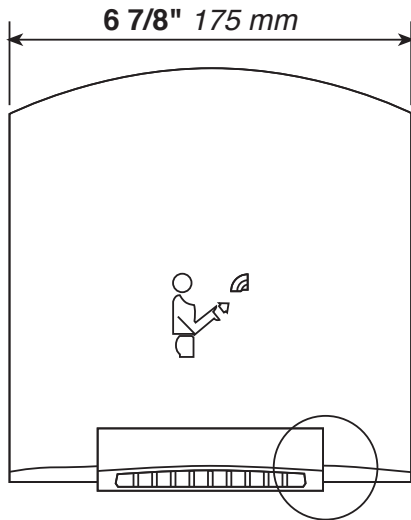
Model	Galaxy™ 1	Galaxy™ 2	
Item number	073009	073010	
Phase	Single	Single	Single
Voltage	120 V	240 V	208 V
Wattage	1850 W	2000 W	1500 W
Amperage	15.42 A	8.34 A	7.21 A
Min. required breaker size	20 A	15 A	
Min. required wire size	12 AWG	12 AWG	
Degree of protection (IP)	IP 23	IP 23	
Sound power level	53 dB(a)	53 dB(a)	
Air speed	NA	NA	
Air volume	90.0 CFM	95.0 CFM	
Drying time (approx.)	30 sec.	30 sec.	
Height	9.88" / 250 mm	9.88" / 250 mm	
Width	6.88" / 175 mm	6.88" / 175 mm	
Depth	9.06" / 230 mm	9.06" / 230 mm	
Weight	5.5 lb / 2.5 kg	5.5 lb / 2.5 kg	
Color	Alpine white	Alpine white	
Housing	ABS polycarbonate	ABS polycarbonate	



Certified to
ANSI/UL Std. 499
Conforms to
CAN/CSA
Std. 22.2 No. 36



Dimensions & Colors



Specification

Galaxy™ 1 & 2 hand dryers shall be manufactured by Stiebel Eltron, Inc. to include a cover of ABS polycarbonate designed for light to medium traffic areas. Motor shall be thermally protected brush type with a single shaft. Dryer shall deliver 90 cubic feet per minute of air volume and shall be activated by an infrared sensor automatically detecting hands when present. Hand dryer shall be listed under of ETL as conforming to ANSI/UL Std. 499 and certified to CAN/CSA Std. 22.2 No. 36.

Engineer/Architect _____	Date _____		
Job Name/Customer _____	Location _____		
Contractor _____	Representative _____		
Qty	kW	Voltage	Amps
Galaxy™ model _____			

rev. 2014.1 Due to our continuous process of engineering and technological advancement, specifications may change without notice.