

XLERATOR®/XLERATOReco® HAND DRYER HEPA FILTER (Replacement Only) - Part #40520



HEPA FILTER (ONLY)

PART # 40520

Filter Adapter & Pre-Filter #94 Not Included



Part ID Description

40520 XLERATOR HEPA Filter (Replacement Only)

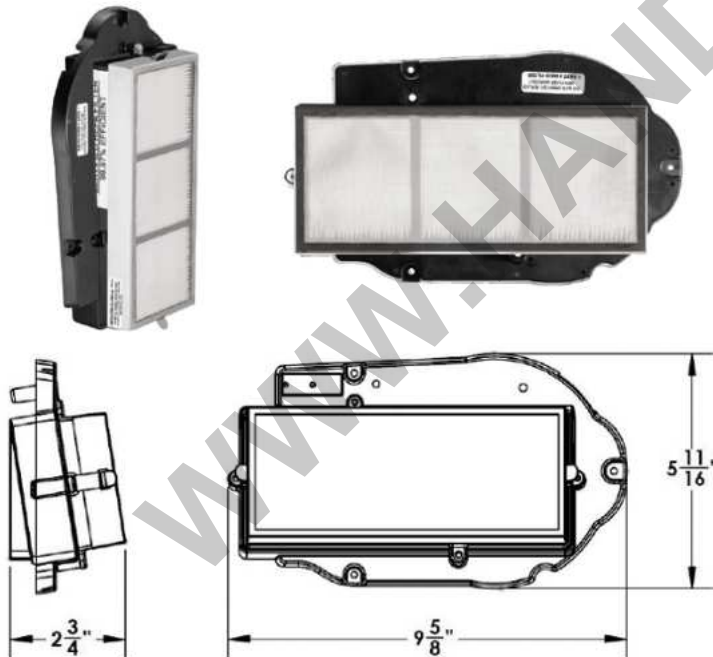
Filters 99.97% of bacteria at 0.3 microns from the air stream. Replacement HEPA Filters may be purchased separately (Part #40520) or as a part of the HEPA Filter Retro Kit (Part #40525).

COMPONENTS REQUIRED BUT NOT INCLUDED WITH THE HEPA FILTER #40520 (SEE PART #40525 HEPA RETRO KIT)

- ✔ **HEPA Pre-Filter (Not Included)**
 Corrosion resistant, reusable stainless steel mesh screen that traps large particles and protects the HEPA Filter media. The Pre-Filter is designed with an easy detaching clip system, allowing it to be removed without any tools for rinsing and cleaning of debris, and then reattached with a simple snap fit. Replacement Pre-Filters may be purchased separately (Part #94) or as a part of the HEPA Retro Kit (Part #40525).
- ✔ **Filter Adapter (Not Included)**
 This component serves as the connecting piece between the HEPA Filter #40520 and the motor. It creates an airtight seal to the motor and the HEPA Filter using perimeter closed-cell gaskets. This piece is only available as a part of the HEPA Filter Retro Kit (Part #40525).
- ✔ **Pre-Filter Spring Clips (Included; Built Into 40520 HEPA Filter)**
 Corrosion resistant clips that easily flex outward to remove the Pre-Filter (Part #94) for cleaning. The Pre-Filter is designed to snap easily into place. The spring clips come pre-attached to the HEPA Filter (Part #40520) when purchased as a replacement or included with the HEPA Filter within the HEPA Filter Retro Kit (Part #40525).

FULL HEPA FILTER ASSEMBLY

HEPA Filter #40520 Shown with Filter Adapter & Pre-Filter #94



(Filter Adapter and Pre-Filter #94 Not Included)

MAINTENANCE

⚠ WARNING: TO REDUCE THE RISK OF ELECTRIC SHOCK, FIRE & PERSONAL INJURY, INSIDE CLEANING MUST BE PERFORMED BY QUALIFIED SERVICE PERSONNEL.

The expected lifespan of this HEPA Filter (Part #40520) can be significantly increased with the proper use & maintenance of the Pre-Filter (Part #94) mentioned above. It is generally recommended that the durable and removable stainless steel mesh Pre-Filter be inspected & cleaned any time the XLERator's performance diminishes. In environments that contain excessive amounts of lint, dust, or other particles in the ambient air, regular periodic cleaning is recommended. With proper maintenance of the Pre-Filter, the HEPA Filter can last over 5 years. Replacement Pre-Filters may be purchased separately (Part #94) or as a part of the HEPA Filter Retro Kit (Part #40525).

⚠ DO NOT CLEAN THE HEPA FILTER OR ALLOW IT TO COME INTO CONTACT WITH WATER

NOTE: The complete HEPA filtration system is available as an installed option on the XLERATOR and XLERATOReco (when specified at the time of purchase) or can easily be retrofitted into existing units with the #40525 HEPA Filter Retro Kit.



TIME TO THROW IN THE TOWEL®

ALLIED HAND DRYER, LLC
San Antonio, TX

1.800.535.4393
1.210.733.5918

www.handdryer.com
sales@handdryer.com

APRIL
2017

16HFS0007