



** DISCONTINUED **

HDR110#SS

Sensor Activated Clean Dry™ High Speed Concealed Hand Dryer

FEATURES

- AC powered hand dryer, equipped with very fast and quiet motor providing 224 mph air speed with only 62 dB noise rating
- Takes only 12 seconds to dry hands
- Touch free infra red sensor activation with power saving function which turns the motor off automatically when hands are removed or after 60 seconds of use
- Drip tray to prevent water from trickling to the floor
- Hard wired
- Mounts flush with the wall for clean design
- Flush mounting deters vandalism
- Quality, attractive construction with stainless steel body

COLORS/FINISHES

- #SS Stainless Steel

CODES/STANDARDS

- Meets or exceeds UL507, CSA C22.2 #113-M1984
- Certifications: Intertek/ETL
- Code Compliance: NEC, CEC
- ADA compliant



PRODUCT SPECIFICATION

TOTO® Model No. _____
Automatic infrared sensor activated, high speed hand dryer. 120 V AC power hardwiring required. Decibel rating of 58dB for low noise level while providing 224 mph air speed for fast drying. Low power consumption of 510 Watts. Drain Tray to collect water from hands.

HDR110#SS

Sensor Activated Clean Dry™ High Speed Concealed Hand Dryer

SPECIFICATIONS

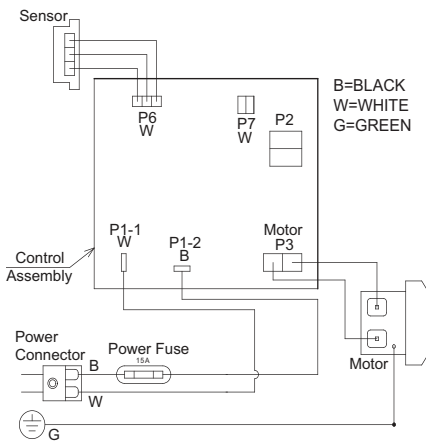
- Warranty One Year Warranty
- Material Stainless Steel
- Power Connection Hardwired
- Power Rating 120V AC, 4.25 Amps, 60 Hz, 510 W
- Power Saving Function Automatically turns OFF when hands are removed or after 60 seconds of use
- Decibel Rating 58dB
- Air Speed 224 mph (100 meters/second); 19,950 LFM (linear feet per minute)
- Dry Time 12 seconds*
- Drain Tray Capacity 0.27 gal (950 ml)
- Size 12-5/8" x 28-3/4" x 6-7/16"
- Weight 22 lbs (10 kg)
- Operating Temperature 32°-104°F (0°-40°C)

*Per tests performed at TOTO Lab.
These dimensions and specifications are subject to change without notice.

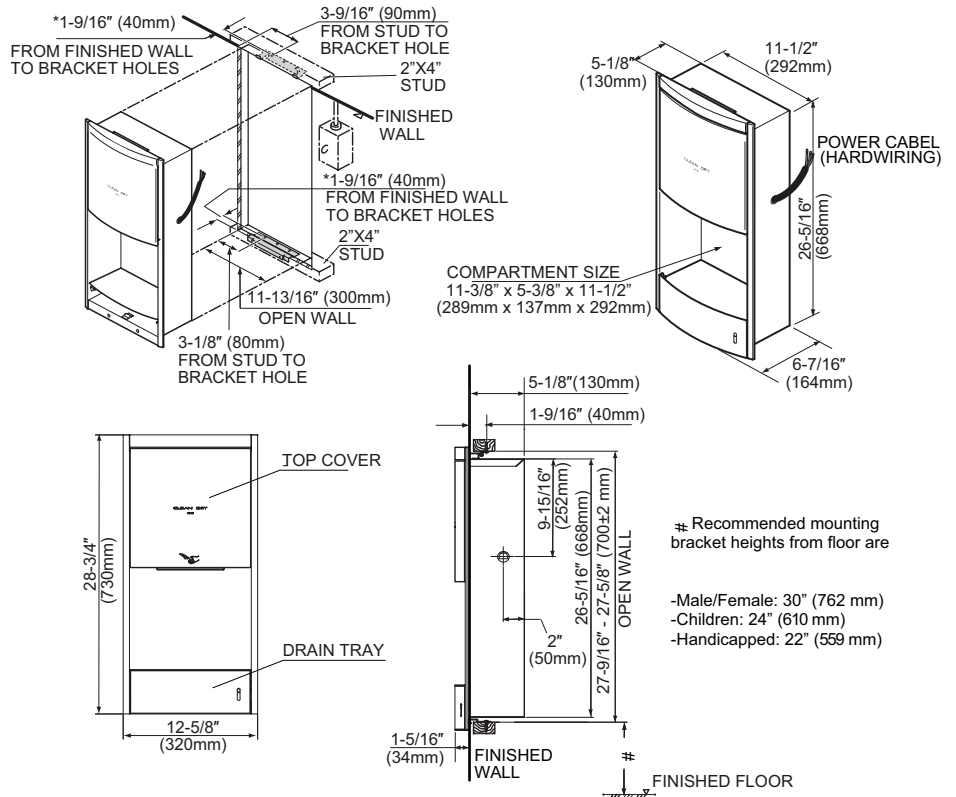
INSTALLATION NOTES

For handicapped installation, refer to codes. Maximum height of a blower outlet from finished floor is 47-1/4" (1200mm) to comply with ADA Guidelines ANSI A117.1 and CSA B651 requirements.

WIRING DIAGRAM



ROUGH-IN



*WALL THICKNESS REQUIREMENT: MIN 3/16 in (5mm) TO MAX. 1-3/16 (30mm)

TOTO®

These dimensions and specifications are subject to change without notice