

- Recommended for very high traffic areas.
- Standard Model 2922-287300 (aluminum - white) *Bradex***
- Standard Model 2922-287400 (stainless steel-satin finish) *Bradex***



Product Materials

2922-2873 COVER: die-cast aluminum finished with white epoxy paint with Steritouch®

2922-2874 COVER: one-piece stainless steel; satin finish

Cover fixed to the base plate with tamper proof screws.

ADJUSTABLE MOTOR: motor is a thermally-protected universal type operating at 23,400 RPM. Adjustable motor control switch has three settings; HI, MED and LOW.

HEATING ELEMENT: 400 watt heating element constructed of nichrome wire and protected by an automatic resetting thermal cutoff. Heater can be turned ON or OFF via internal switch.

SENSOR OPERATION: Automatic infrared sensor with a 3 second run-on time and a 30 second vandal shut-off.

BASE PLATE: Aluminum with four mounting holes and a .88" knockout.



Installation

Verify all rough-in dimensions prior to installation. Hand dryers require a dedicated 15 amp circuit and must be properly grounded. GFI Circuit protection is recommended. One side of dryer should be mounted to a stud. For proper mounting heights, see installation manual.

Operation

Place hands 3"-6" below nozzle to activate air flow. Dryer will stop after hands are removed from air flow.

Guide Specification

Surface-mounted hand dryer shall have a white cast aluminum cover with epoxy paint (2922-2873) or stainless steel cover with satin finish (2922-2874). All internal air flow paths shall incorporate SteriTouch antimicrobial technology. Hand dryer shall include aluminum base plate, adjustable universal type motor and infrared sensor. Dryer shall operate at 73 - 85 dB while delivering 78-100 CFM air at a velocity of 250 - 265 MPH or 22,000 - 23,320 LFM. Dryer shall produce air at 110 - 140°F. Dryer shall have total power of 400 - 1200 watts with a consumption of 3.3 - 10.0 A.

Overall dimensions: 12.5"H x 9.3"W x 7.6"D (319mm x 236mm x 192mm).

**Weight: Aluminum - 11.6 lb (5.2 kg)
Stainless Steel - 14.2 lb (6.4 kg)**

Description	Part Number
Recess Kit	P10-749

Product Specifications

Voltage:	100-120 V	Consumption:	3.3-10.0 A
Nominal power:	400-1200 W	RPM:	23,400
Airflow:	78-100 CFM	Heating element:	400 W
Noise level:	73-85 dB	Airspeed:	250-265 MPH
Frequency:	60 Hz	Insulation:	Grounding required
Temperature:	110°F-140°F (43°C-60°C)	Certificates:	UL 499 / CSA C22.2 (No. 36-08)
Drying time:	10-12 seconds	Mounting:	Surface; not ADA compliant With recess kit*; ADA compliant
Protection level:	IP24		

*Recess kit sold separately

Orders composed of products indicated as **Bradex** will be available to ship in three days after receipt of order at the factory. There is no pricing penalty for this service from Bradley.

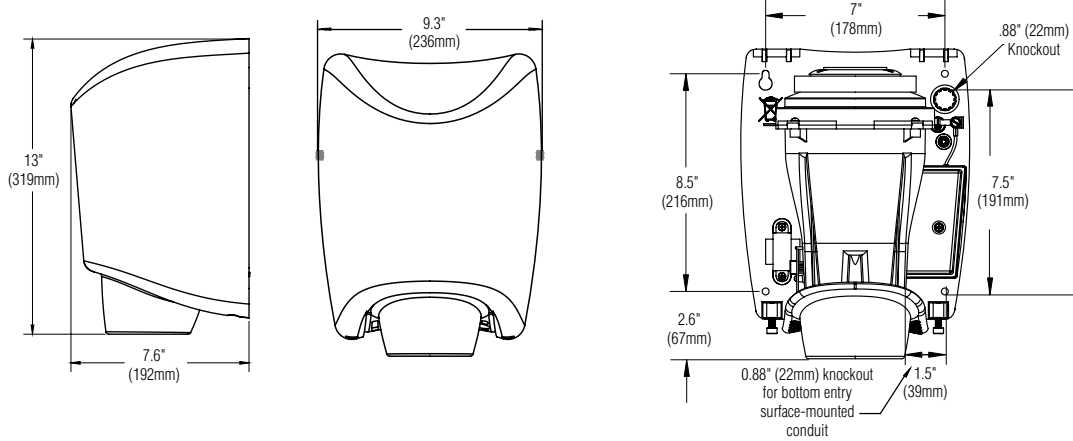
Page 1 of 2
5/29/2014
This information is subject to change without notice.
Bradley_HandDryer_2922-2873_2874

Distributed By:
Allied Hand Dryer
706 W. Summit Ave
San Antonio, TX 78212
1-800-535-4393
www.handdryer.com

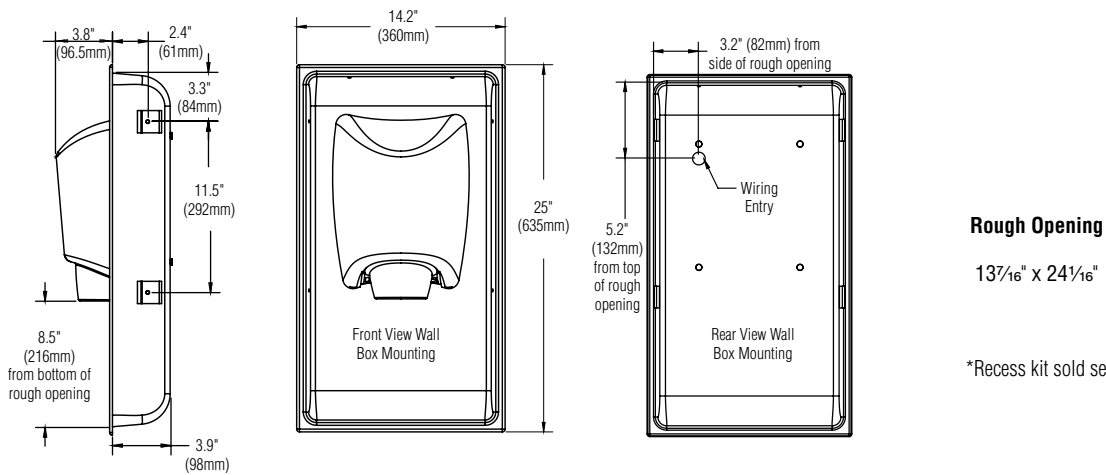
© 2014 Bradley
P.O. Box 309, Menomonee Falls, WI 53052-0309
800 BRADLEY (800 272 3539) +1 262 251 6000
bradleycorp.com

Dimensions

Surface Mounted



Recess Mounted*



Rough Opening

13 7/16" x 24 1/16"

*Recess kit sold separately

Orders composed of products indicated as **Bradex**® will be available to ship in three days after receipt of order at the factory. There is no pricing penalty for this service from Bradley.