



**Aerix+® Model 2923-28W001**  
(aluminum - white epoxy) **Bradex®**

Recommended for very high traffic areas.

**Product Materials**

**2923-28W COVER:** 1/8" (3 mm) thick one-piece aluminum; white epoxy finish. Cover fixed to the base plate with vandal-proof lock screws and lock with special key wrench.

**MOTOR:** High pressure universal brush (31,000 RPM). Motor shall have replaceable brushes for extending service life.

**FILTER:** HEPA filter reduces contaminants in the air when hand drying.

**HEATING ELEMENT:** Dryer will incorporate a nichrome wire heating element protected by an automatic resetting thermal cutoff.

**ACTIVATION:** Dryer shall be activated by an automatic infrared sensor with a 45 second vandal shut-off. Control board shall contain a HI/MED/LOW speed control switch. Dryer shall provide an exit air temperature of 130°F at an ambient temperature of 70°F.

**Overall Dimensions**

Height: 14-1/2" (368 mm)  
Width: 12-1/4" (311 mm)  
Depth: 3-7/8" (99 mm)

**Overall Weight**

White: 10.7 lb (4.8 kg)

**Product Compliance**



ADA / ICC ANSI A117.1, Citation 309.4



UL LISTED UL electrical components

Orders composed of products indicated as **Bradex®** will be available to ship in three days after receipt of order at the factory. There is no pricing penalty for this service from Bradley.

Page 1 of 2 9/1/2021  
This information is subject to change without notice.



**Guide Specification**

Surface-mounted hand dryer shall have an aluminum cover with a white epoxy finish (2923-28W). Hand dryer shall include a universal brush type motor (31,000 RPM). Dryer shall operate at 69dB while delivering 42 to 64 CFM air flow velocity at 150 to 225 MPH (13,200 to 19,800 LFM). Dryer shall provide an exit air temperature of 130°F at an ambient air temperature of 70°F. Dryer shall have a global universal voltage, accepting 120 to 277 VAC input. Dryer shall have a total power of 950W (120V, 208V, and 220V/240V) and 1150W (277V). Dryer is equipped with HEPA filter.

**Product Specifications**

Voltage:	120–277V	RPM:	31,000
Motor:	950W (120V & 208–240V) and 1150W (277V)	Nominal airflow:	42–64 CFM
Effective airflow:	42–64 CFM	Airspeed:	13,200–19,800 LFM
Noise level at 79":	69 dB	Frequency:	50/60 Hz
Exit Air Temp :	130°F	Ambient Temp:	70°F
Drying time:	12 seconds	Certificates:	UL 499 & CAN/CSA No. E60335-2-23
Protection level:	IP24 Splash Protection	Mounting:	Surface-mounted, ADA compliant



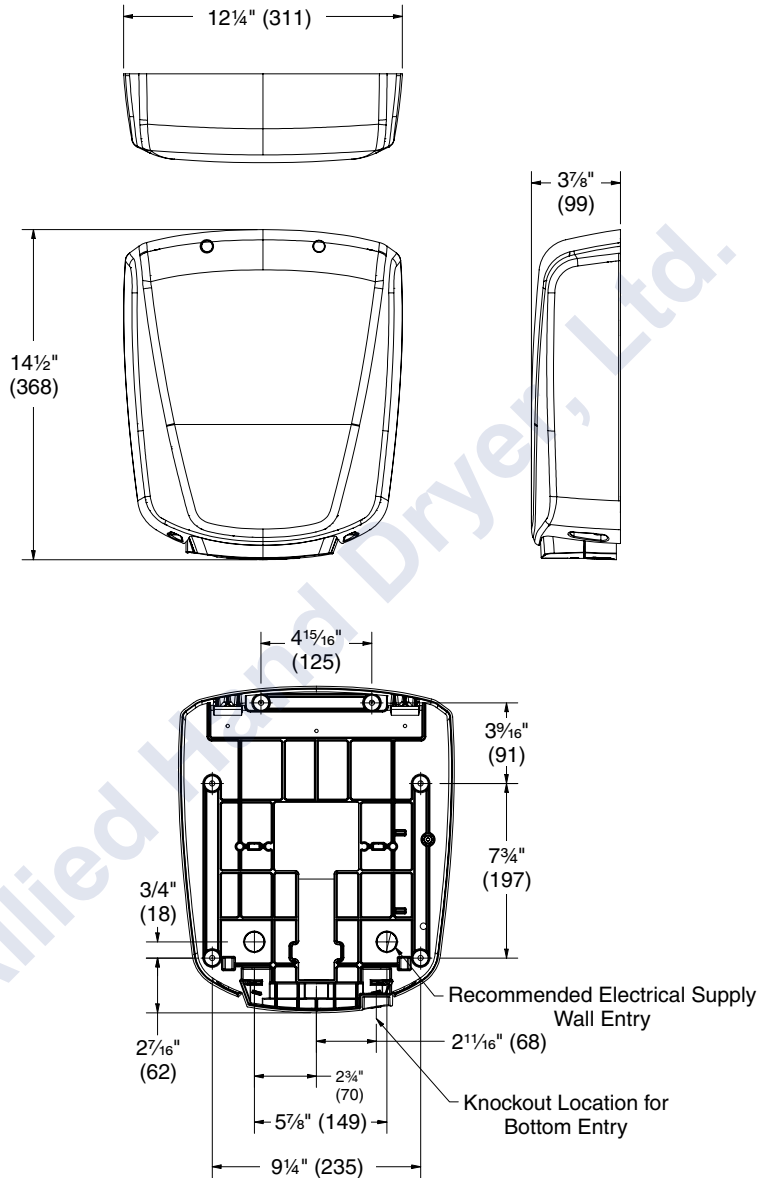
### Operation

Place hands 3"–6" below nozzle to activate air flow. Dryer will stop two seconds after hands are removed from air flow.

### Installation

Verify all rough-in dimensions prior to installation. Hand dryers require a dedicated circuit with a minimum of 15 amps and must be properly grounded. GFI Circuit protection is recommended. One side of dryer should be mounted to a stud.

### Dimensions



Orders composed of products indicated as **Bradex**® will be available to ship in three days after receipt of order at the factory. There is no pricing penalty for this service from Bradley.

Page 2 of 2 9/1/2021  
This information is subject to change without notice.

© 2021 Bradley