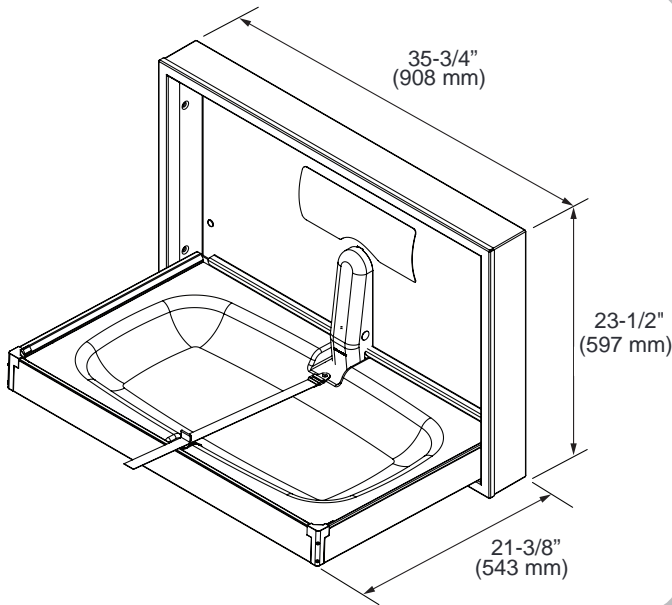




BABY CHANGERS MADE BY BABY EXPERTS.™

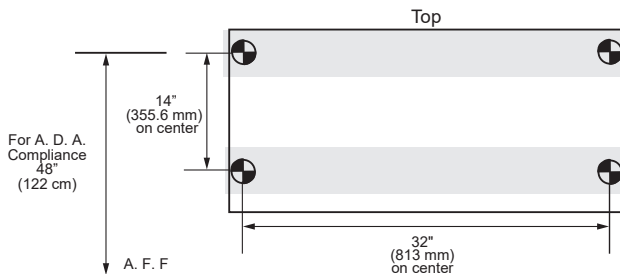
Submittal Sheet

Model 100SS-SM Horizontal Surface Full-Body Stainless Steel Diaper Changing Station



- Full body 16 gauge, 304 brushed stainless steel.
- ABS replaceable try liner / changing surface.
- Smooth nylon belt with Thermoplastic Polyurethane coating. Easy to sanitize and adjustable with one hand.
- Full stainless steel frame and hinges provide maximum durability.
- Easy to read ANSI compliant labels (ANSI Z535.3 and ANSI Z535.4), utilizing universal safety symbols.
- Pneumatic gas shock mechanism to ensure smooth, safe open and close motions.
- Surface-mounted installation. Hardware included.
- Limited Warranty: This product is warranted against manufacturer defects for a period of 5 years.
- Includes universal changing station door sign.

Recommended Blocking Surface Mount



Short Specifications

Full 304 brushed stainless steel exterior with replaceable vacuum-formed ABS changing surface. Surface-mounted.

1. A.D.A Compliant attached safety strap with cam-buckle.
2. Acceptable product: Foundations Worldwide, Inc.; Model 100SS-SM (Full SS Horizontal Surface Mount).
3. Characteristics:
 - a. Entire body 16 gauge, 304 brushed stainless steel, seamless welds.

4. Equipped with a pneumatic cylinder.
5. Smooth nylon belt with Thermoplastic Polyurethane coating. Easy to sanitize and adjustable with one hand.
6. Meets ASTM F2285 requirements for weight bearing Commercial Changing Stations.

7. A.D.A. Compliance:



- 306.3 Knee Clearance
 - 307.2 Maximum Protruding Objects
 - 308.2 Forward Reach
 - 308.3 Side Reach
 - 309.4 Operation
 - 902.3 Work Surface
- Compliant when properly installed.

8. ANSI compliant safety labels.
9. CPSIA compliant to applicable sections.

Installation Information

- Closed unit projects from wall 4" (100 mm).
- Open unit projects from wall 21-3/8" (543 mm) when in use.