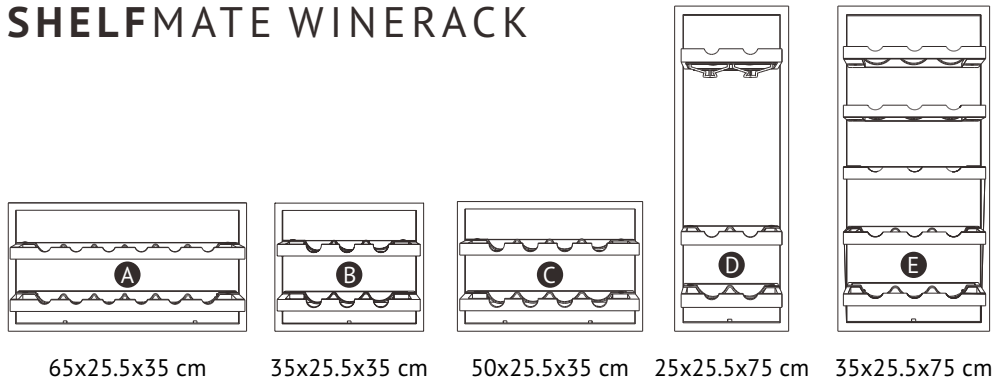
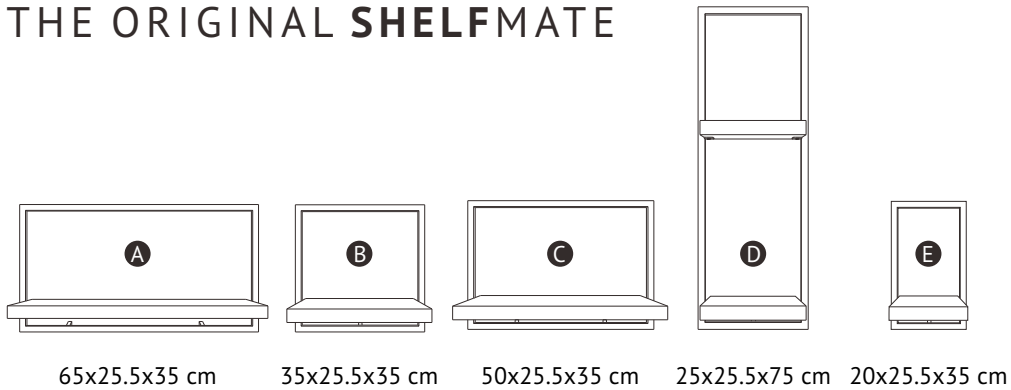


## MEET THE OTHER MATES

### SHELFMATE WINERACK



### THE ORIGINAL SHELFMATE



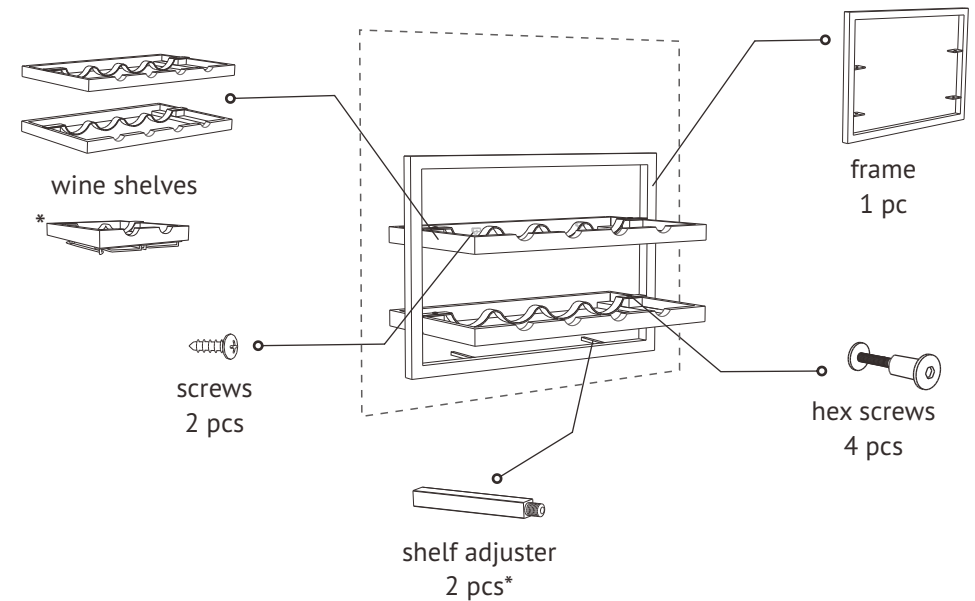
# SHELFMATE

## WINERACKS <sup>by</sup> d-Bodhi<sup>®</sup>

### ASSEMBLY INSTRUCTIONS

## LET'S GET STARTED!

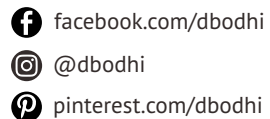
( check if all parts are in the box )



\* **note** :- SHELFMATE Winerack A and C have 2 adjusters. B, D and E have only 1  
- Only SHELFMATE Winerack D has a glass holder

### SHELFMATE WINERACK : a d-Bodhi product.

Hi there! We are d-Bodhi, a furniture and lifestyle company that works mainly with reclaimed and recycled materials. If you like SHELFMATE make sure to check out more of our products on: [d-Bodhi.com/shelfmate](https://d-Bodhi.com/shelfmate)



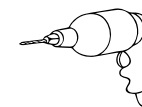
100%  
**RECLAIMED**  
TEAKWOOD

printed on recycled paper, of course ♻️

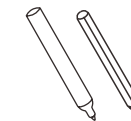
### TOOLS YOU NEED TO PREPARE



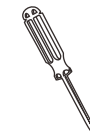
hex key  
(included)



drill



marker / pencil

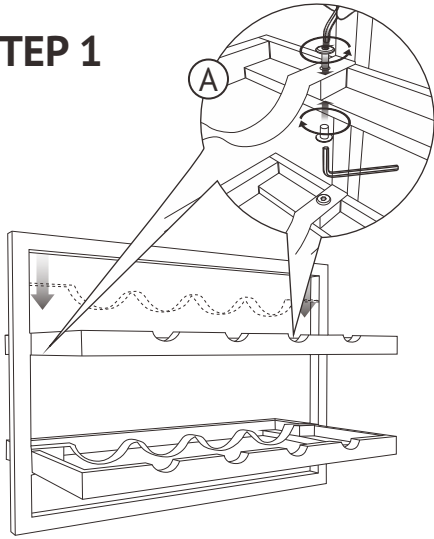


screwdriver



wall plugs

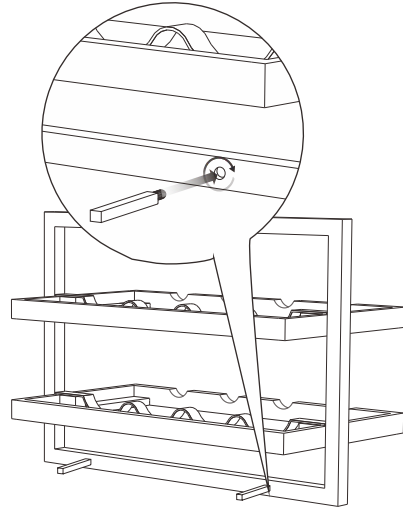
**STEP 1**



Install the wine holder and the shelf in their frame as pictured above, then tighten the hex screws (A)

*\*Unscrew the screws from the top and bottom with the L-key in order to put the frame into place.*

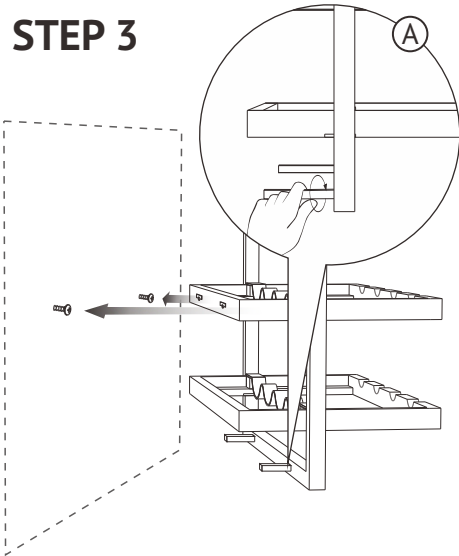
**STEP 2**



Place the adjuster(s)

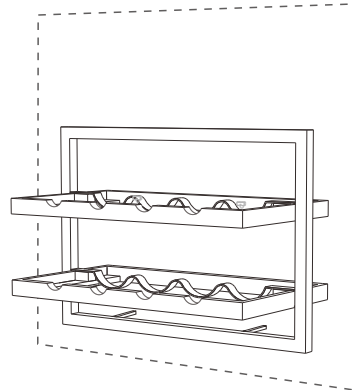
*note: Winerack A and C have 2 adjusters*

**STEP 3**



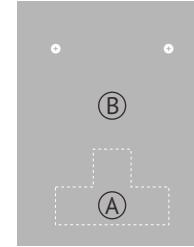
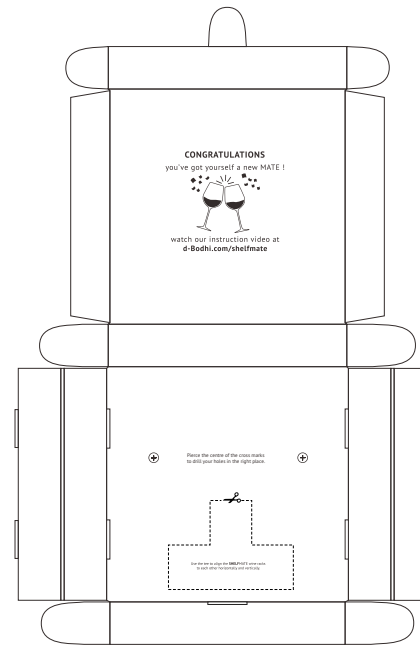
Attach screws to the wall. Hang the winerack and fine tune with adjuster(s) (A)

**STEP 4**



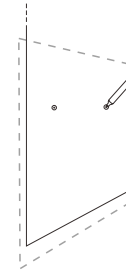
Congratulations!  
Your SHELFMATE WINERACK is ready

**MAKE IT EASY, USE THE TOOLKIT**



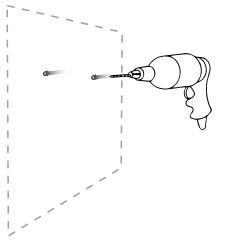
1. Cut out the measurement Tee (A) and use the inside of the box as a drill hole template (B)

2. Use the Tee (A) as spacer between the templates (see image below)

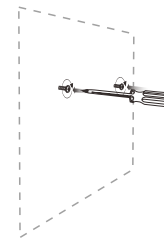


3. Position the template, pierce the drill marks and transfer the marks to the wall

4. Drill holes at the marked spots

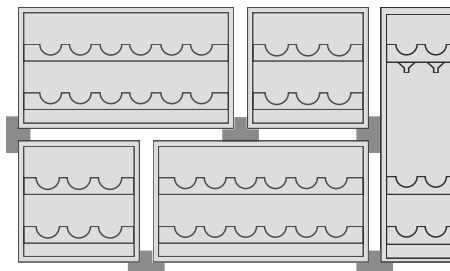


5. Screw the screw into the wall (use plugs if necessary)



More hanging tips on our website:  
[www.d-bodhi.com/shelfmate](http://www.d-bodhi.com/shelfmate)

**SPACING**



Use the Tee to position the SHELFMATE templates towards each other horizontally and vertically