

MOSS



design
Giuseppe Viganò 2016

STRUCTURE: wood

STRUCTURE UPHOLSTERY: expanded polyurethane of varied densities (D30 highly resilient + D32 elastic and non-deformable +D30 elastic) covered with synthetic lining 6mm and cotton fabric coupled with wadding 380 gr (Cothem)

SEAT CUSHION UPHOLSTERY: expanded polyurethane of varied densities (D35 elastic and non-deformable) covered with thermo bonded quilted cotton cover coupled with wadding 350gr

BACK CUSHION UPHOLSTERY: 100% white twilled cotton cover, filling in 50% goose down and 50% "Fiber Ball" (polyester fibres)

SPRINGING: elastic belts

SEAT HEIGHT: 40 cm

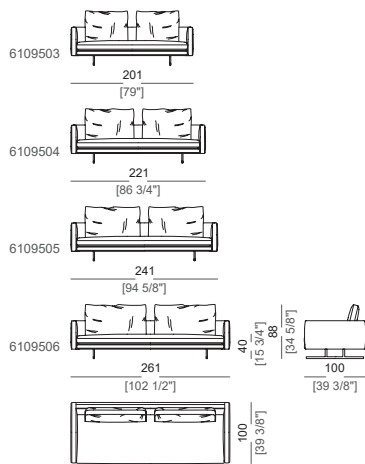
ARM HEIGHT: 62 cm

FEET: metal finish black nickel or varnished micaceous brown or oxy grey, h.16 cm

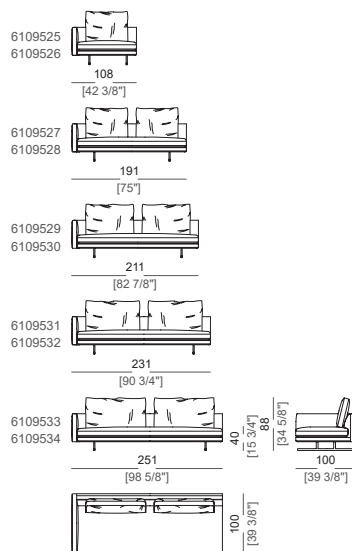
PIPING: available in the following colours: white (100), cream white (101), mustard (102), beige (103), green (104), brown (105), dark brown (106), burgundy (107), purple (108), light grey (109), dark grey (110), sand beige (111), olive grey (112), slate grey (113), light blue grey (114) and aquamarine blue (115)

MOSS

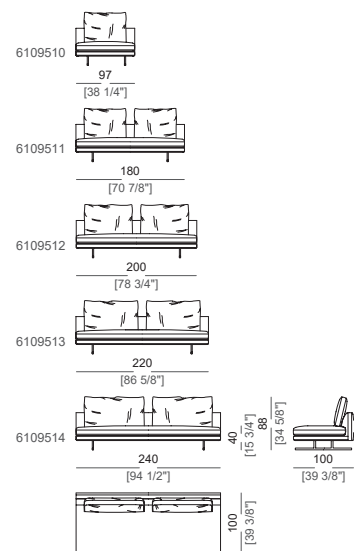
Sofa



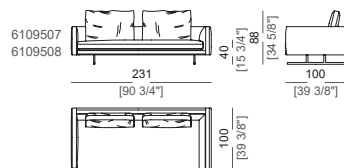
Right or left unit



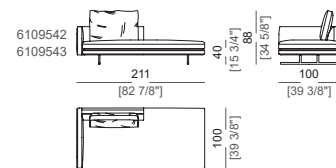
Central unit



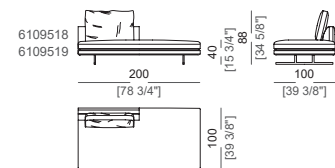
Right or left corner sofa



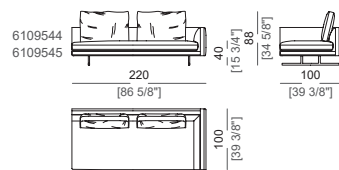
Unit with right or left pouf



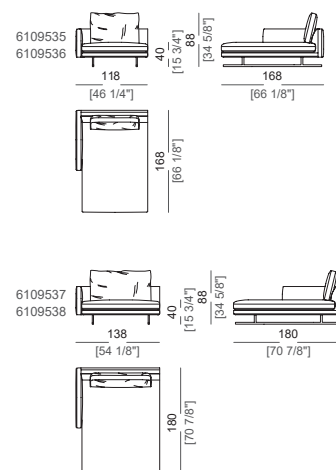
Central unit with right or left pouf



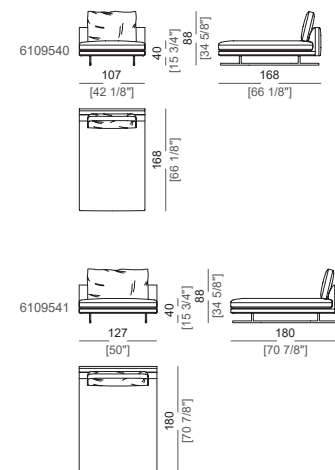
Right or left corner unit



Chaise-longue with right or left short arm

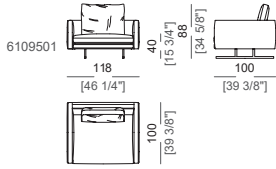


Dormeuse

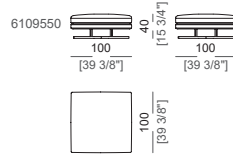


MOSS

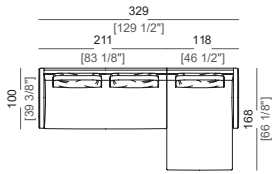
Armchair



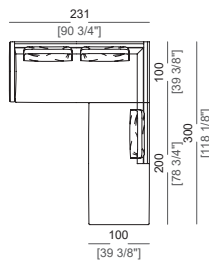
Pouf



Composition A



Composition B



Composition C

