

ARKETIPO / DINING-TABLES

ORACLE

designed by Gino Carollo 2016



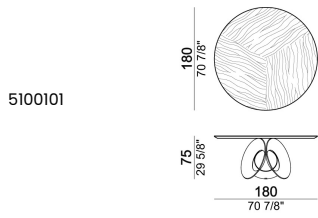
BASE: metal, finishes: brass or titanium or varnished micaceous brown or oxy grey.

TOP: MDF veneered in moka oak or sucupira or Emperador marble or "Niveo white" marble with rotating tray "Lazy Susan" or "Slate Grey" marble or glass with thickness 12 mm.

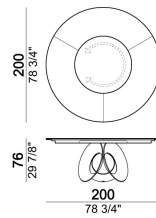
ATTENTION: marble is a natural material characterized by porosity and cracking, that, during the manufacturing process are filled with special resins or inserts in the same material. After the polishing the surface may present irregularities and natural micro holes, which, however, do not compromise the solidity of the product.

For the correct maintenance of all marble surfaces, it is recommended to use neutral detergents and no degreasers nor corrosive detergents. Acid substances may spoil the polished marble surface. It is also recommended to avoid contact with liquids and acid food and to remove immediately these substances if they accidentally come in contact with the surface.

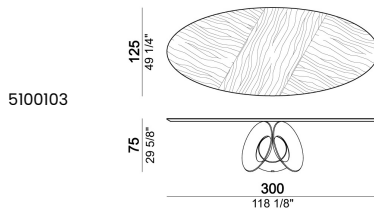
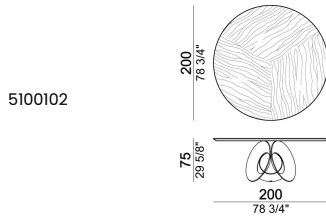
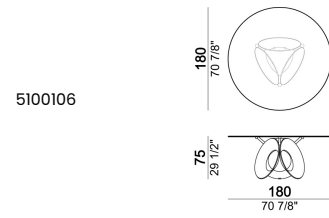
Dining table



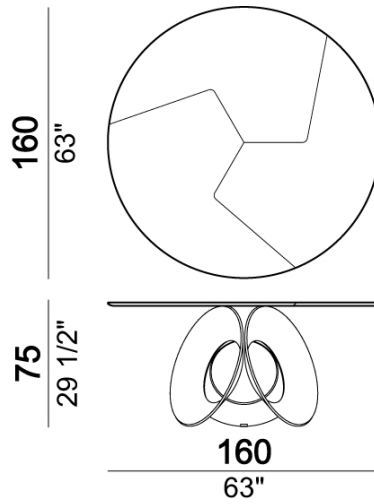
5100104



Dining table with glass top



TAVOLO ORACLE 5100107



TAVOLO ORACLE 5100108

