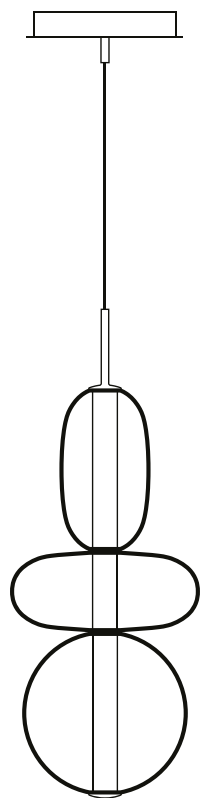


peleloles

Design by
Boris Klimek



bomma

bomma.cz

TECHNICAL SHEET

PEBBLES

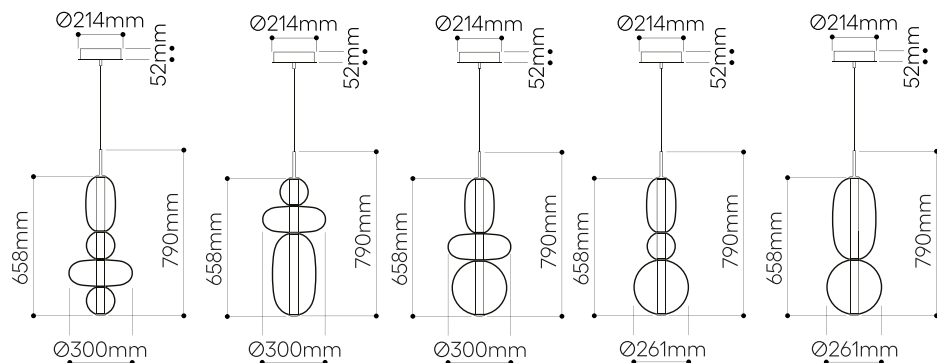
pendant small

Design by
Boris Klimek

Handmade glass attributes

All Bomma products are hand-made from mouth-blown lead-free crystal. Therefore any small bubbles, non-melts and irregularities in the glass are both proof and a characteristic feature of this traditional craft.

The Pebbles Collection is made by underlying colored glass technology. Thanks to the manual process of blowing underlay glass, each piece is an original. Individual products may vary slightly in intensity, hue or even color. This is an accompanying characteristic of the traditional underlay glass technology.



LIGHTING DESCRIPTION

| | |
|-----------------|--|
| Size | dia 300 mm, H 790 mm dia. 11,8 inch, H 31,1 inch |
| Cable | black textile braid cable 2,5 m 98,4 inch |
| Weight | +/- 7,5 kg / 16,5 lb |
| Glass | mouth-blown lead-free crystal in black, light grey, white, green and red |
| Mounting | black (aluminium black elox + matt powder coating) |
| Protection | IP 20 |
| Nominal voltage | 220-240V / A.C. 50 hz (EU) 110-120 V / A.C. 60 Hz (USA) |
| Class | I. EU / I. USA |

LIGHT SOURCE

| | |
|-------------|---|
| Type | LED module 18,6W, 350mA, 1860lm, 54V |
| Base | custom LED module |
| Voltage | 220-240V, AC (EU) / 110-120V, AC (USA) |
| Temperature | 2700 K |
| Color index | RA 90+ |
| Dimming | Dimmable with TRIAC, ELV, 0-10V, PUSH, DALI, CASSAMBI |

PACKAGING

| | |
|----------|--|
| Material | Cardboard |
| Size | 540 x 540 x 1030 mm 21,3 x 21,3 x 40,5 inch |

Origin: traditionally produced in the Czech Republic
Intellectual property license holder: Bomma Czech Republic (EU)
Represented by BMRC group s.r.o.

CERTIFICATES

