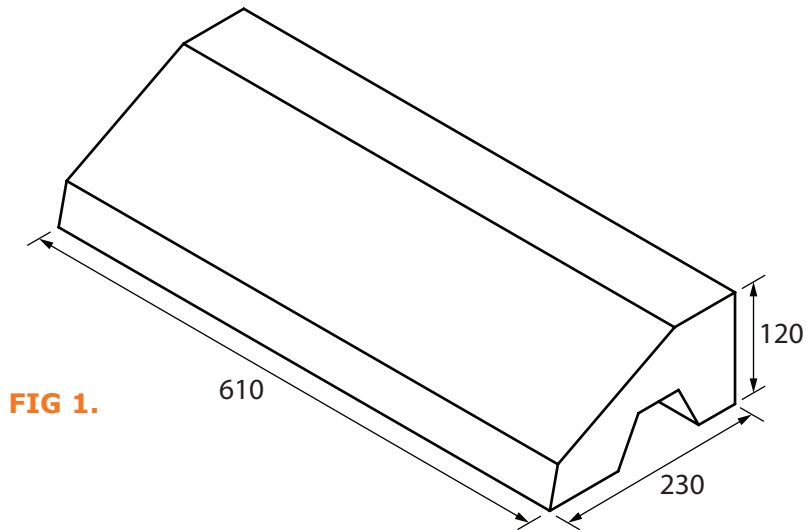
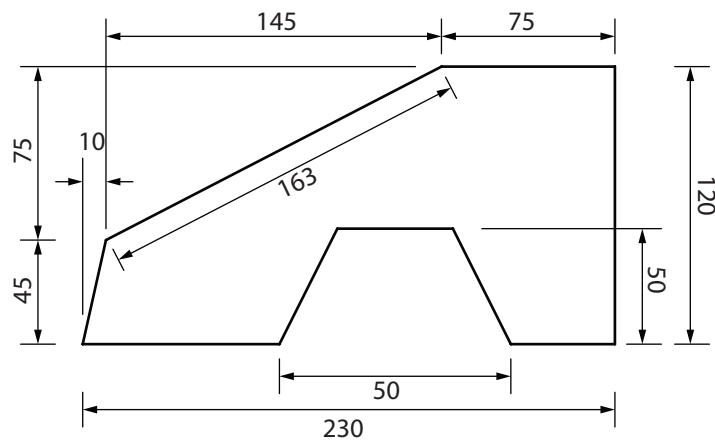


## MOUNTABLE KERB ROADING



### ISOMETRIC SIDE VIEW - MOUNTABLE KERB

ALL UNITS IN MILLIMETRES



**FIG 2.**

### RIGHT SIDE VIEW - MOUNTABLE KERB

SCALE : NTS