

HUTT CITY COUNCIL SUMP UNIT

HCC SUMP TOP & BASE



The Hutt City Council Sump is designed specifically for the Lower Hutt and Upper Hutt City Council's. The complete unit comes with a Sump Top and Sump Base. Also if needed we have available a Yard Top for when no Kerb and Channel is needed and both Storm Entry Sump and Hillside Entry Sump, for when a faster intake of water is needed.

INSTALLATION

HCP Sumps are supplied with Ductile Iron Grates. Also soft spots for connection to outlet pipes. Side soft spot specifically designed to fit Storm Entry Sump. Sump fit with 1.3T Swift Lift Foot Anchors for lifting. Alternatively HCC Sump Base will also fit HCC Yard Top if no kerb and channel needed.

MANUFACTURING STANDARDS

Precast manufactured to NZS 3109: 1997 standard with surface finishes for formed F4 and trowelled finish U2. Note bottom surfaces are trowelled.

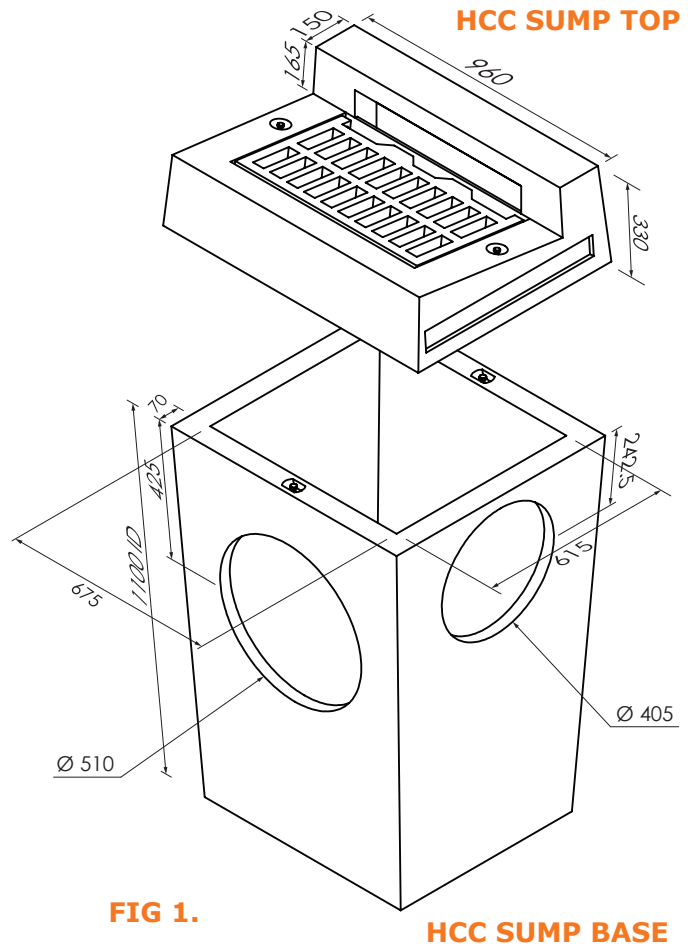


FIG 1.

HCC SUMP BASE

TABLE 1. HUTT CITY COUNCIL SUMP DETAILS

PRODUCT CODE	COMPONENT	DIMENSIONS Int.	MASS
		LxWxH (mm)	(kg)
HCCSUMPTOP	HCC SUMP TOP	760x1000x330	250
HCCSUMPBASE	HCC SUMP BASE	615x675x1100	500

HUTT CITY COUNCIL SUMP UNIT

HCC YARD TOP



The Hutt City Council Yard Top is designed to be used in carparks, driveways or flat areas where a sump is needed but does not require Kerb and Channel.

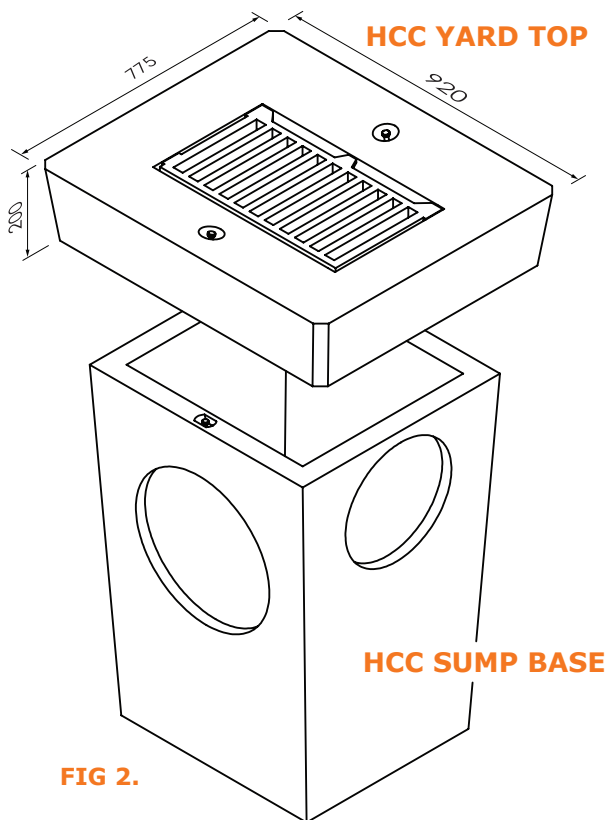


FIG 2.

HCC YARD TOP

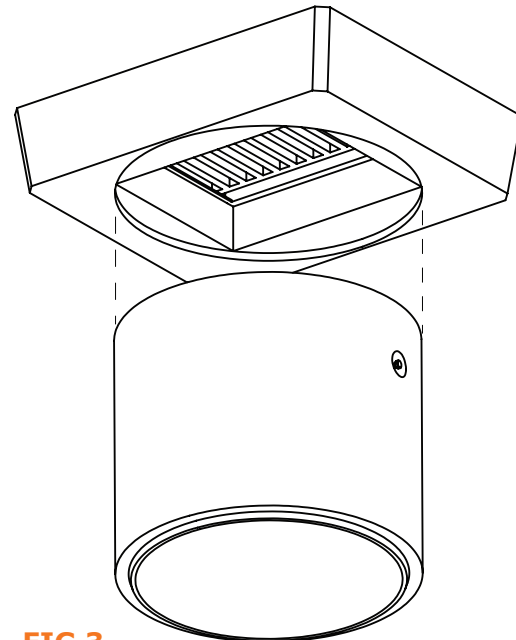


FIG 3.

SUMP BARREL 600X600

INSTALLATION

HCP Yard Top's are supplied with Cast Iron Grates. Yard Top fit with 1.3T Swift Lift Foot Anchors for lifting. HCC Yard Top is designed to fit HCC Sump Base or Sump Barrel 600x600.

MANUFACTURING STANDARDS

Precast manufactured to NZS 3109: 1997 standard with surface finishes for formed F4 and trowelled finish U2. Note Top surface of Yard Top is trowelled.

TABLE 2. HUTT CITY COUNCIL YARD TOP DETAILS

PRODUCT CODE	COMPONENT	DIMENSIONS Int. LxWxH (mm)	MASS (kg)
HCCYARDTOP	HCC YARD TOP	775x920x200	250

HUTT CITY COUNCIL SUMP UNIT - SIDE ENTRY SUMPS

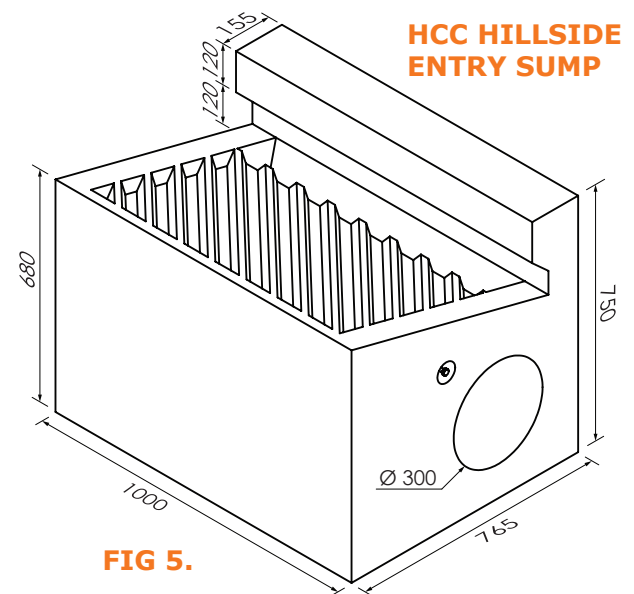
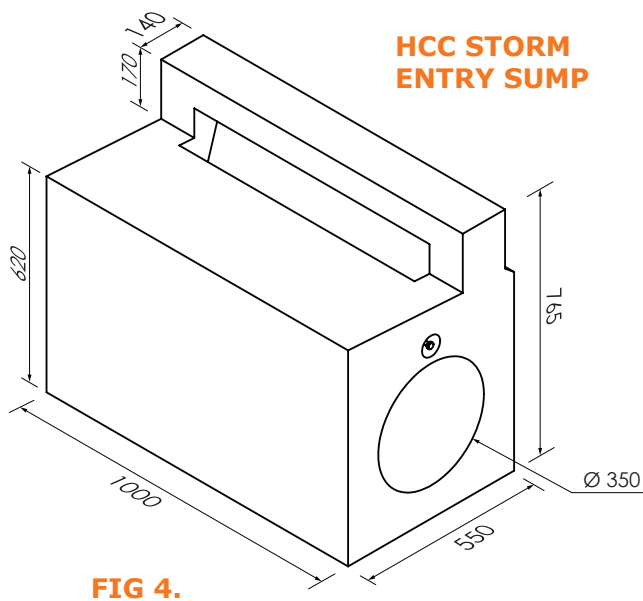
HCC STORM ENTRY SUMP



HCC HILLSIDE ENTRY SUMP



The Hutt City Council Storm and Hillside Entry Sump is designed to be installed in conjunction with the HCC Sump. When in a high water flow area and there is required a faster intake of water a Side Entry Sump allows for this.



INSTALLATION

HCP Side Entry Sumps are supplied with sump plugs to seal the non-functioning end. These are to be installed next to HCC Sump. Sump fit with 1.3T Swift Lift Foot Anchors for lifting. Note Hillside Sump comes in Right Hand and Left Hand depending on which side on the road it goes on.

TABLE 3. HUTT CITY COUNCIL SIDE ENTRY SUMP DETAILS

PRODUCT CODE	COMPONENT	DIMENSIONS	MASS
		LxWxH (mm)	(kg)
HCCSTORMENTRY	HCC STORM ENTRY SUMP	550x1000x765	500
HCCHILLSIDEENTRY	HCC HILLSIDE ENTRY SUMP	765x1000x750	1000

HUTT CITY COUNCIL SUMP UNIT - SIDE ENTRY SUMPS

STORM ENTRY SUMP INSTALLATION DRAWING

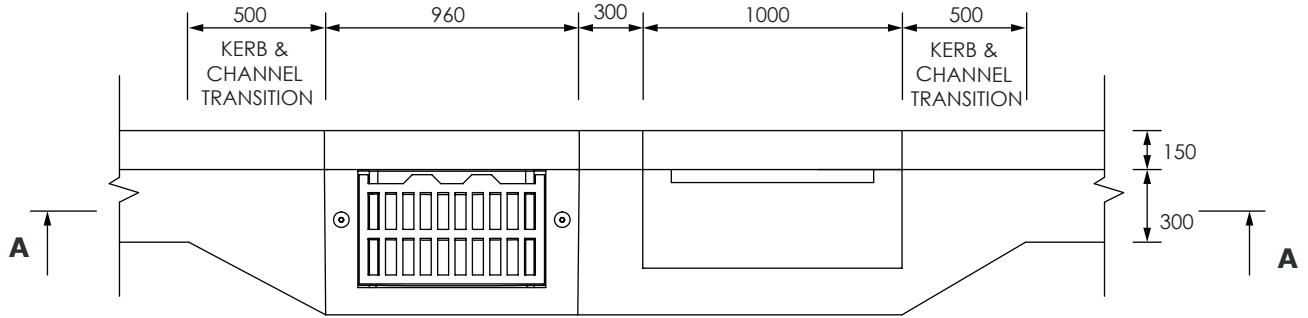


FIG 6.

OVERVIEW - HCC SUMP & STROM ENTRY SUMP

SCALE : NTS

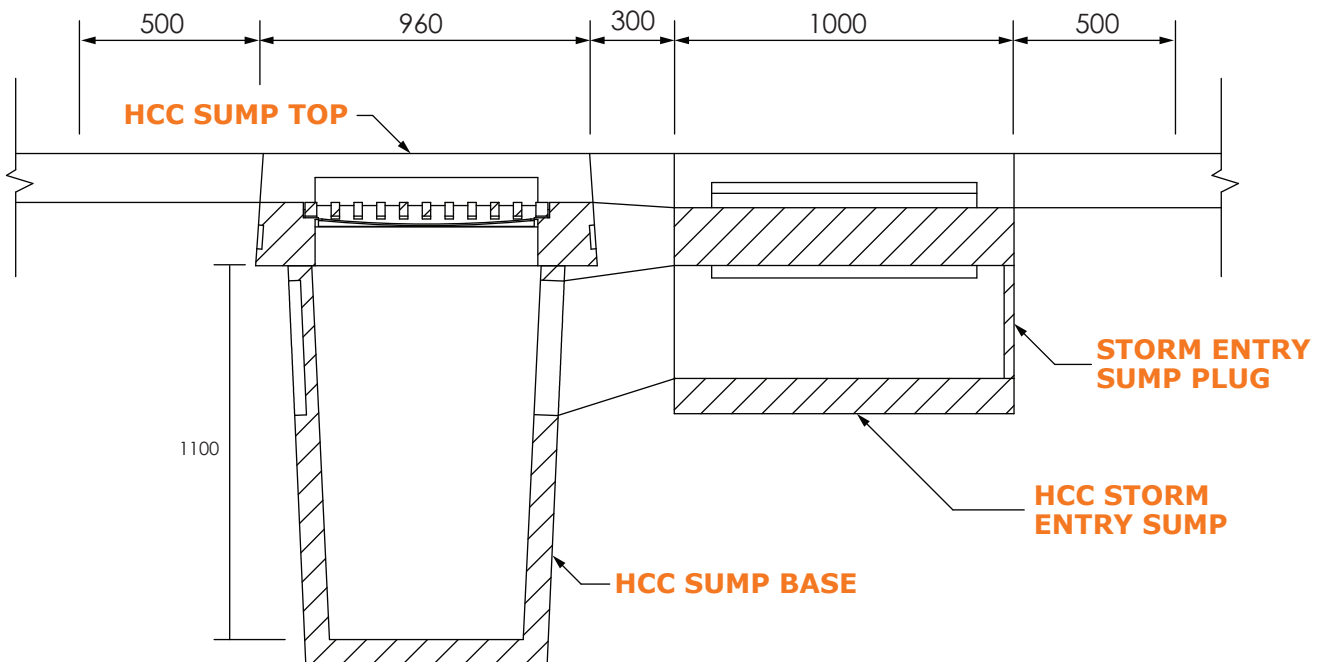


FIG 7.

SECTION A-A

SCALE : NTS

HUTT CITY COUNCIL SUMP UNIT - SIDE ENTRY SUMPS

HILLSIDE ENTRY SUMP INSTALLATION DRAWING

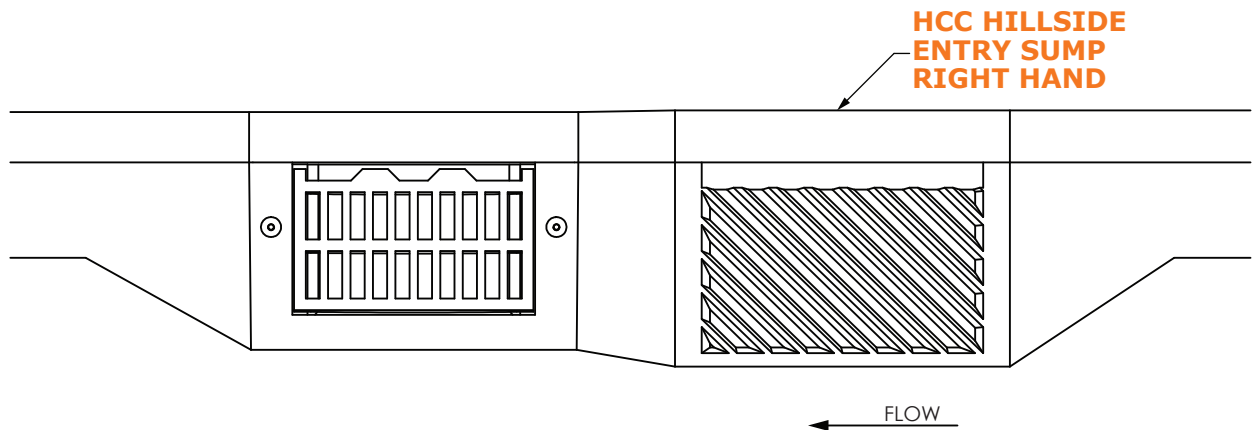


FIG 8.

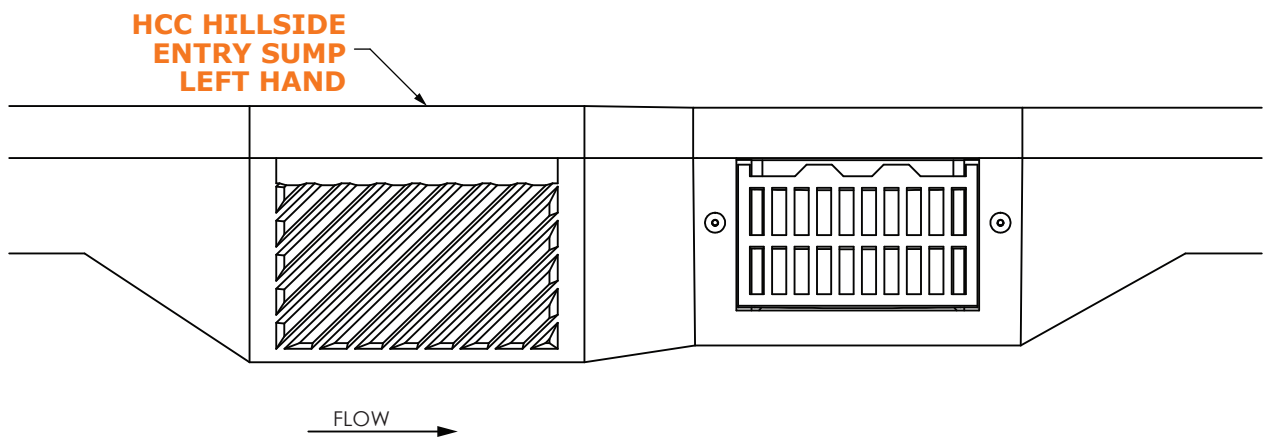


FIG 9.

DIRECTIONAL OVERVIEW - HCC SUMP & HILLSIDE ENTRY SUMP

SCALE : NTS