



US00D657158S

(12) **United States Design Patent**  
**McCarty et al.**

(10) **Patent No.:** **US D657,158 S**

(45) **Date of Patent:** **\*\* Apr. 10, 2012**

(54) **ADJUSTABLE ELECTRICAL BED**

(75) Inventors: **Philip Woods McCarty**, Natick, MA (US); **Philip Reid Sherman**, Melville, NY (US); **Chuan-Hang Shih**, Changhua County (TW)

(73) Assignees: **Ruoey Lung Enterprise Corp.**, Chang-Pin Industrial Park, Lu-Kang Town, Changhua County (TW); **PPJ. LLC**, Natick, MA (US)

(\*\*) Term: **14 Years**

(21) Appl. No.: **29/405,868**

(22) Filed: **Nov. 8, 2011**

(51) **LOC (9) Cl.** ..... **06-02**

(52) **U.S. Cl.** ..... **D6/392; D6/361; D6/595**

(58) **Field of Classification Search** ..... D6/595, D6/596, 601, 605, 382-384, 392, 361; 5/600, 5/607, 613, 616, 618, 620, 149, 420, 722  
See application file for complete search history.

(56) **References Cited**

U.S. PATENT DOCUMENTS

D255,402 S \* 6/1980 Lundgren ..... D6/382  
D271,729 S \* 12/1983 Dodrill ..... D6/392

5,926,877 A \* 7/1999 Lin ..... 5/618  
5,953,778 A \* 9/1999 Hiatt ..... 5/716  
2004/0074002 A1 \* 4/2004 Bannister ..... 5/613  
2004/0187213 A1 \* 9/2004 Wang ..... 5/618  
2008/0120777 A1 \* 5/2008 Rawls-Meehan ..... 5/600  
2010/0186168 A1 \* 7/2010 Harrison ..... 5/616  
2010/0287704 A1 \* 11/2010 Hibler ..... 5/613

\* cited by examiner

*Primary Examiner* — Janice Seeger

(57) **CLAIM**

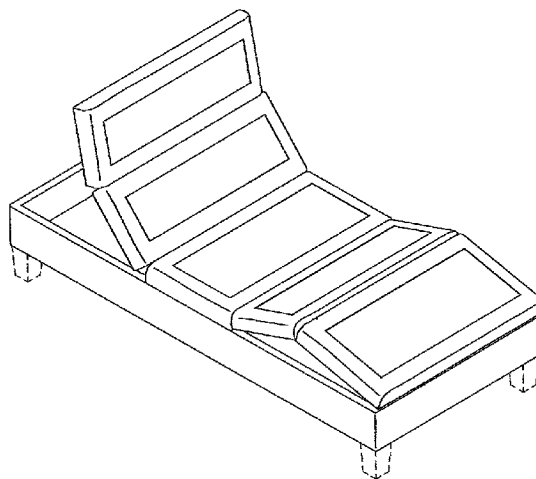
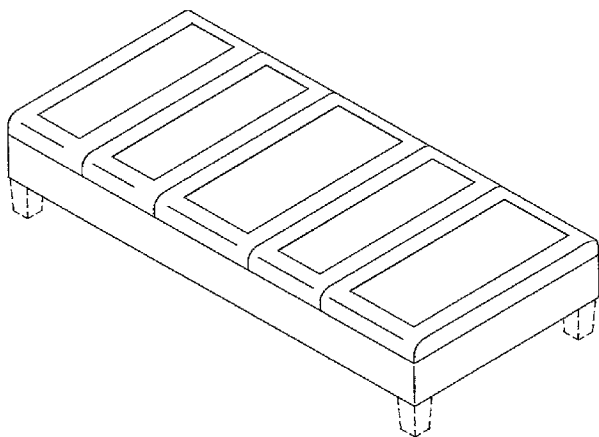
The ornamental design for an adjustable electrical bed, as shown and described.

**DESCRIPTION**

FIG. 1 shows a perspective view of the present design. FIG. 2 shows a top view of the present design. FIG. 3 shows a front view of the present design. FIG. 4 shows a right view of the present design; and, FIG. 5 is a perspective view showing the bed in a folded condition.

The broken lines showing of structural feature is indeed for the purpose of illustrating non-claimed subject matter and forms no part of the claimed design.

**1 Claim, 5 Drawing Sheets**



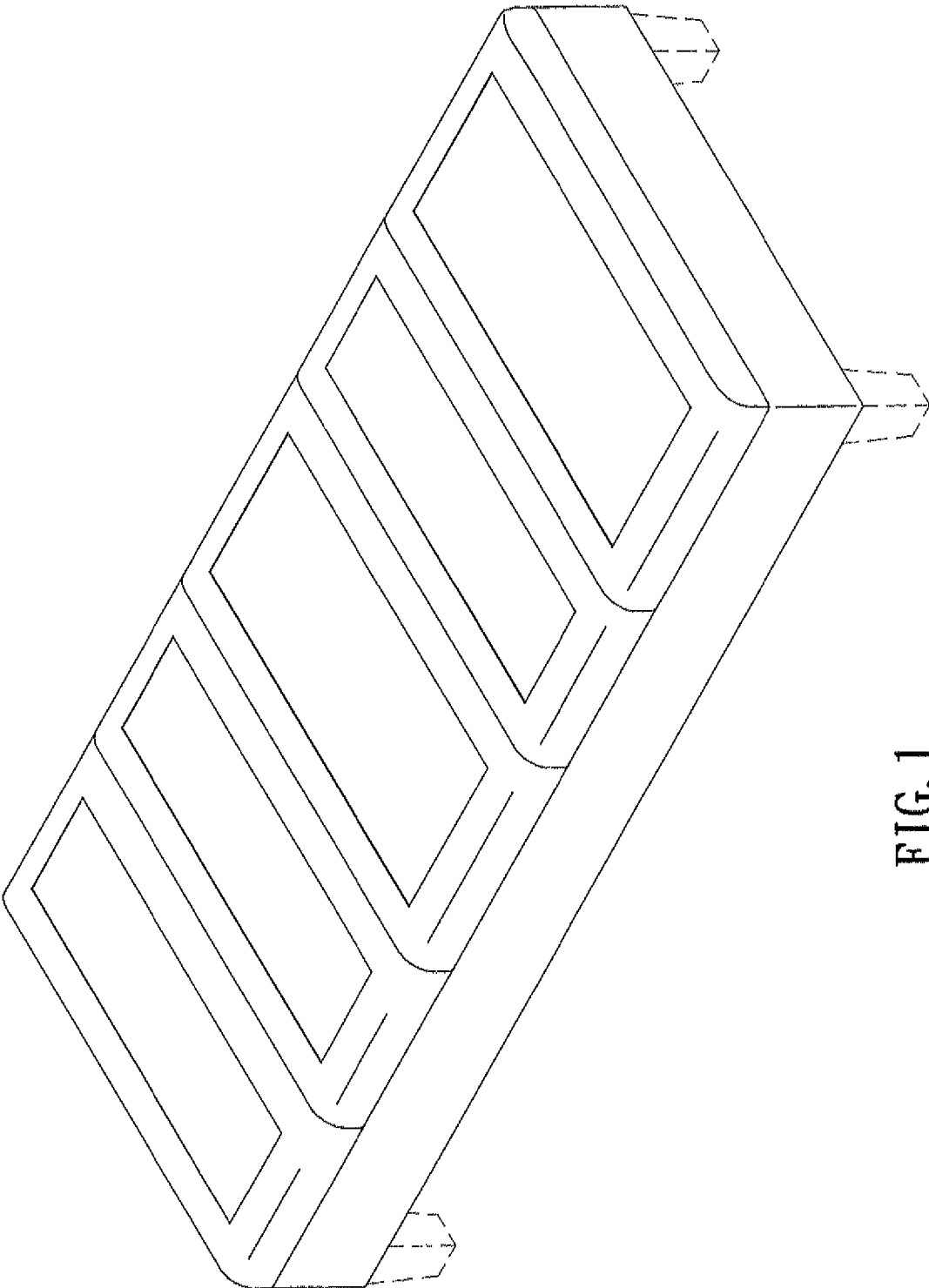


FIG. 1

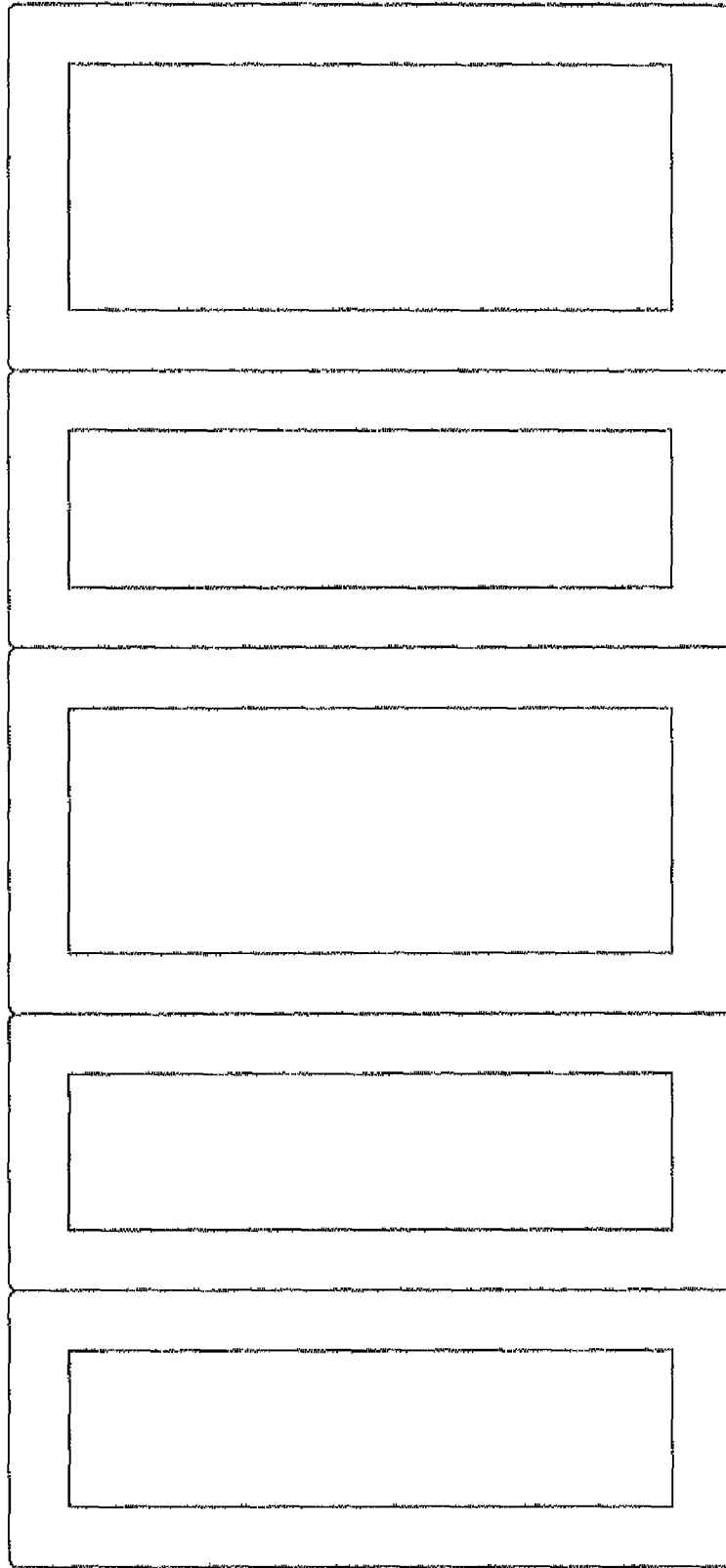


FIG. 2

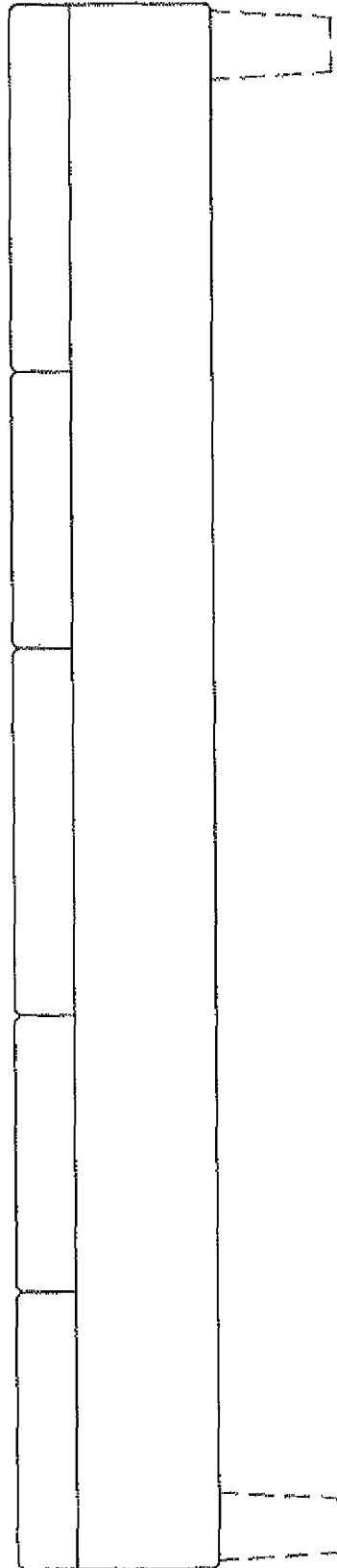


FIG. 3

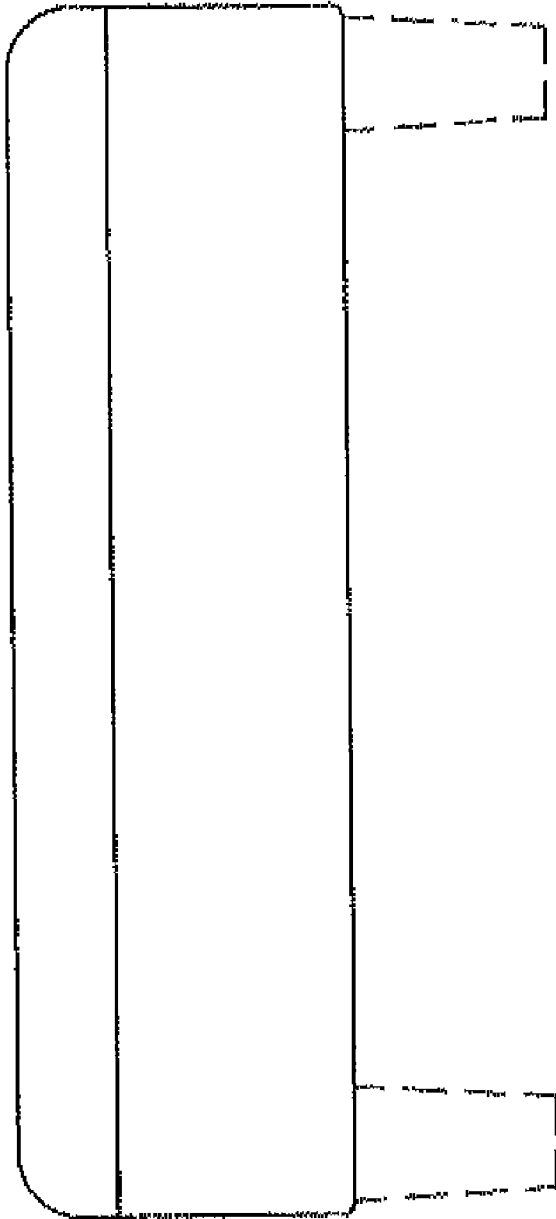


FIG. 4

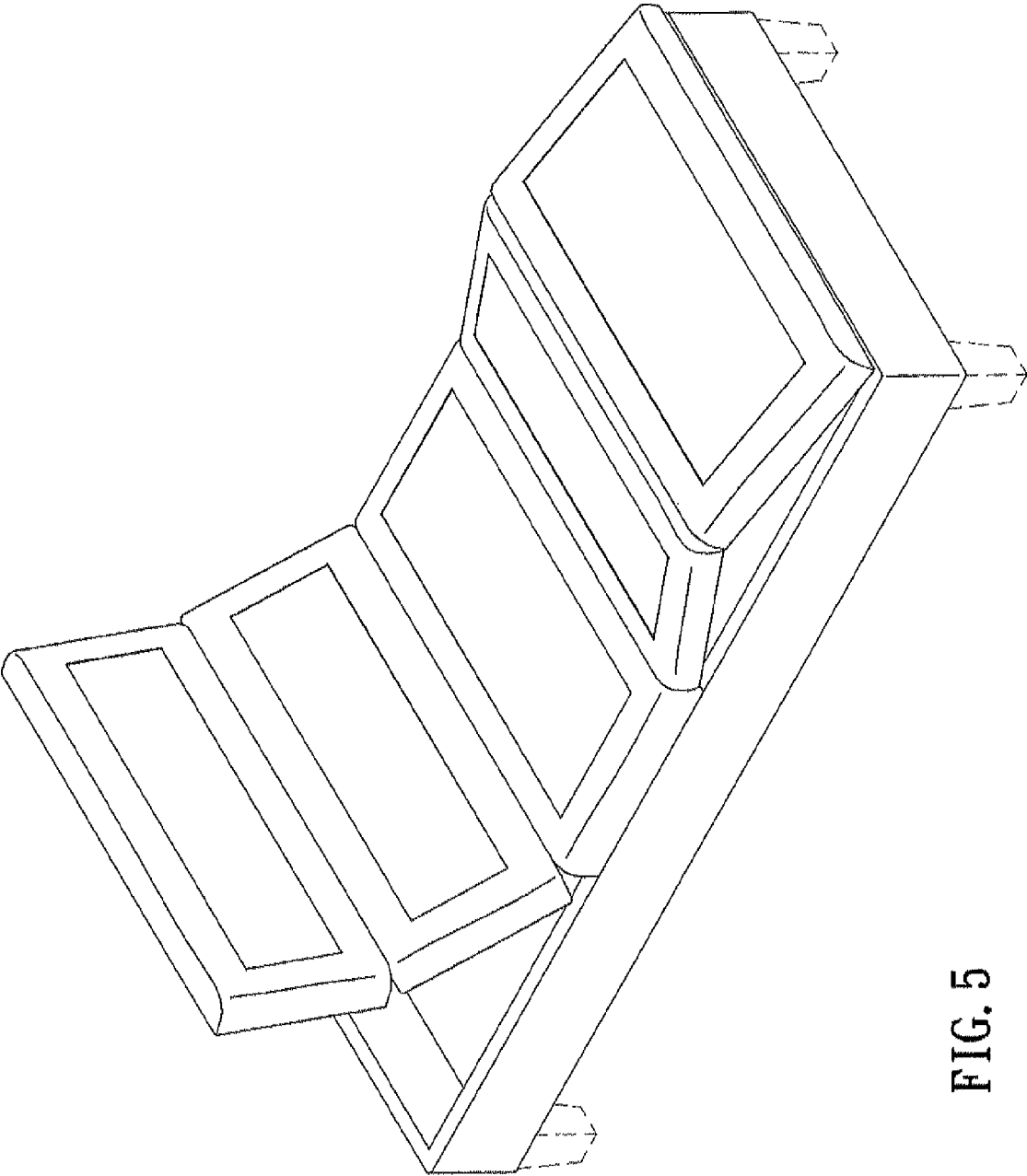


FIG. 5