



US00D663544S

(12) **United States Design Patent**
McCarty et al.

(10) **Patent No.:** **US D663,544 S**

(45) **Date of Patent:** **** *Jul. 17, 2012**

(54) **ADJUSTABLE ELECTRICAL BED**

(56) **References Cited**

(75) Inventors: **Philip Woods McCarty**, Natick, MA
(US); **Philip Reid Sherman**, Melville,
NY (US); **Chuan-Hang Shih**, Changhua
County (TW)

U.S. PATENT DOCUMENTS

| | | | | |
|--------------|------|--------|---------------|-------|
| 1,153,120 | A * | 9/1915 | Lackey | 5/722 |
| 1,592,146 | A * | 7/1926 | Miller et al. | 5/722 |
| 4,275,473 | A * | 6/1981 | Poirier | 5/420 |
| 5,109,558 | A * | 5/1992 | Di Blasi | 5/611 |
| 5,669,089 | A * | 9/1997 | Dees | 5/419 |
| 2004/0074002 | A1 * | 4/2004 | Bannister | 5/613 |
| 2008/0120777 | A1 * | 5/2008 | Rawls-Meehan | 5/600 |

(73) Assignees: **Ruoey Lung Enterprise Corp.**,
Changhua County (TW); **PPJ, LLC**,
Natick, MA (US)

* cited by examiner

(*) Notice: This patent is subject to a terminal dis-
claimer.

Primary Examiner — Janice Seeger

(**) Term: **14 Years**

(57) **CLAIM**

The ornamental design for an adjustable electrical bed, as
shown and described.

(21) Appl. No.: **29/405,881**

DESCRIPTION

(22) Filed: **Nov. 8, 2011**

FIG. 1 shows a perspective view of the present design.
FIG. 2 shows a top view of the present design.
FIG. 3 shows a front view of the present design.
FIG. 4 shows a right view of the present design; and,
FIG. 5 is a perspective view showing the bed in a folded
condition.

(51) **LOC (9) Cl.** **06-02**

(52) **U.S. Cl.** **D6/392**

(58) **Field of Classification Search** D6/595,

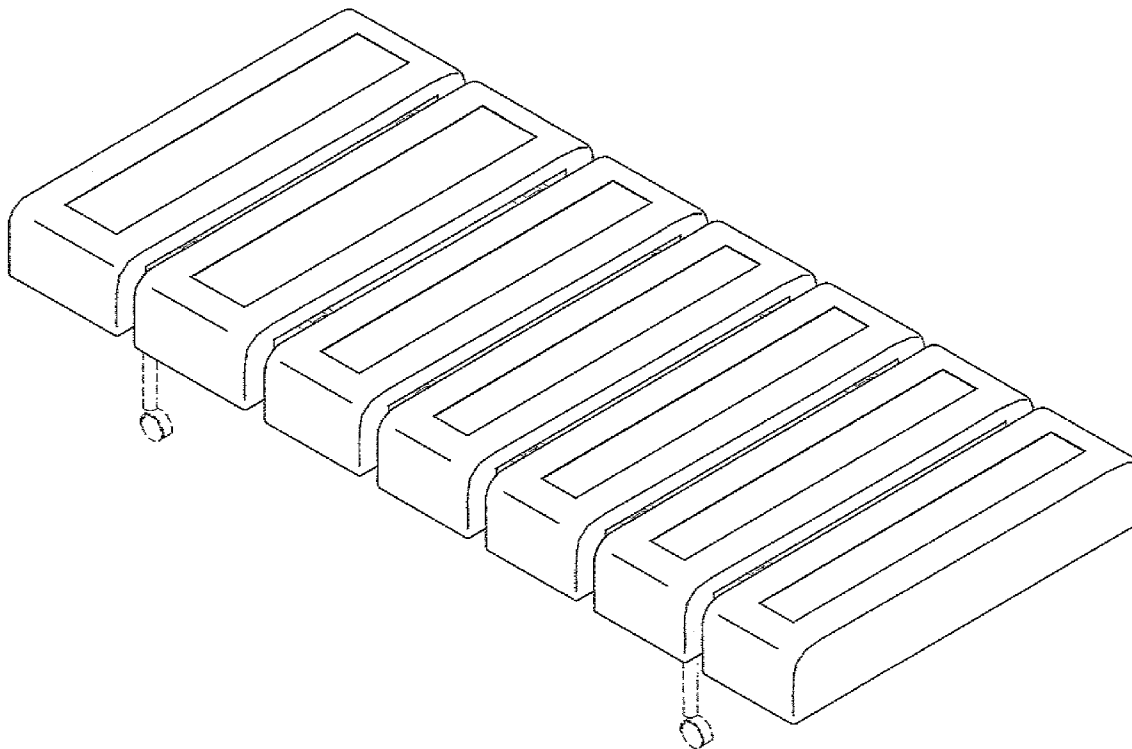
D6/596, 601, 605, 382-384, 392, 361; 5/600,

5/607, 613, 616, 618, 620, 149, 420, 722

The broken lines are for environmental purposes only and
form no part of the claimed design.

See application file for complete search history.

1 Claim, 5 Drawing Sheets



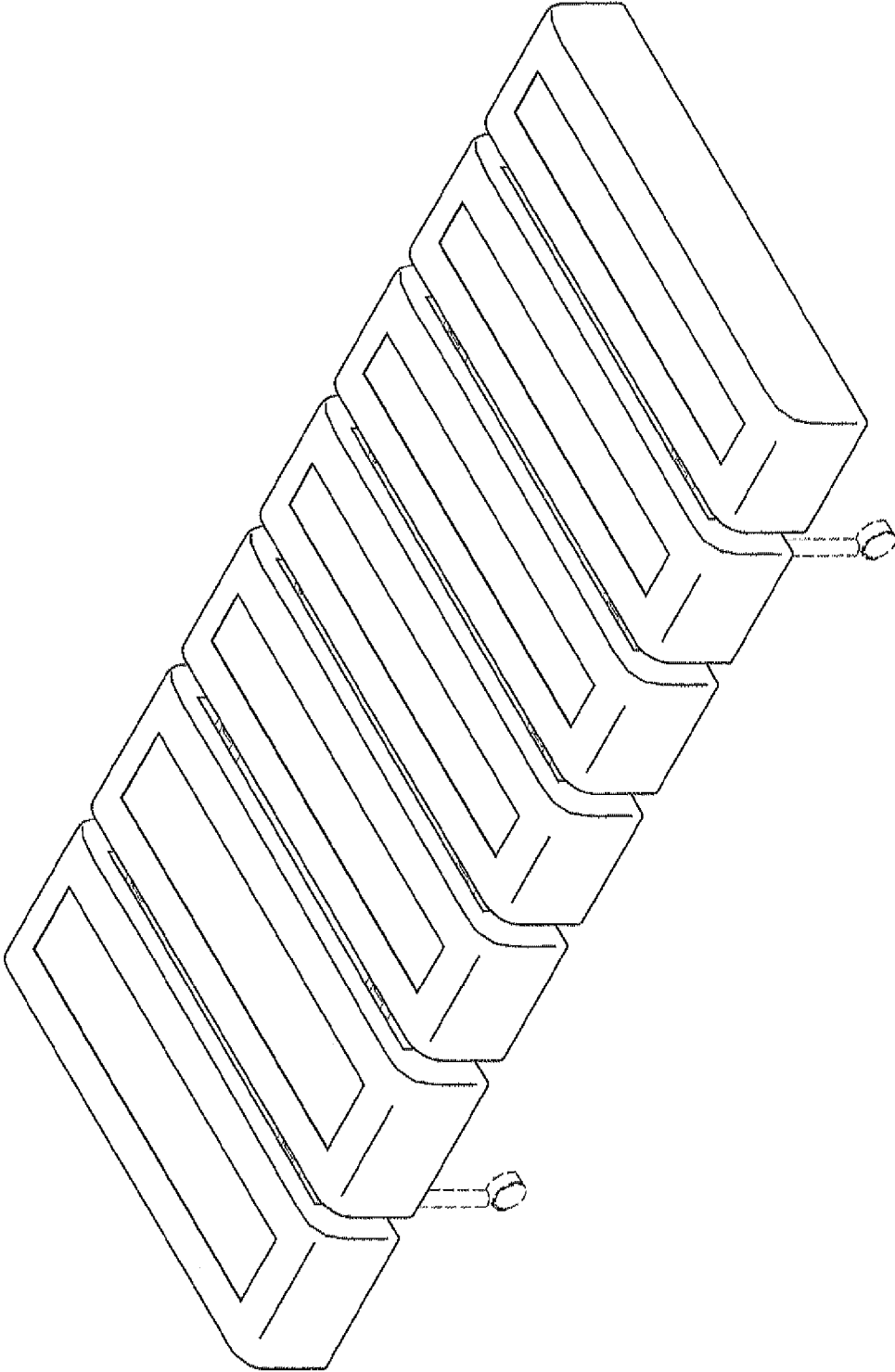


FIG. 1

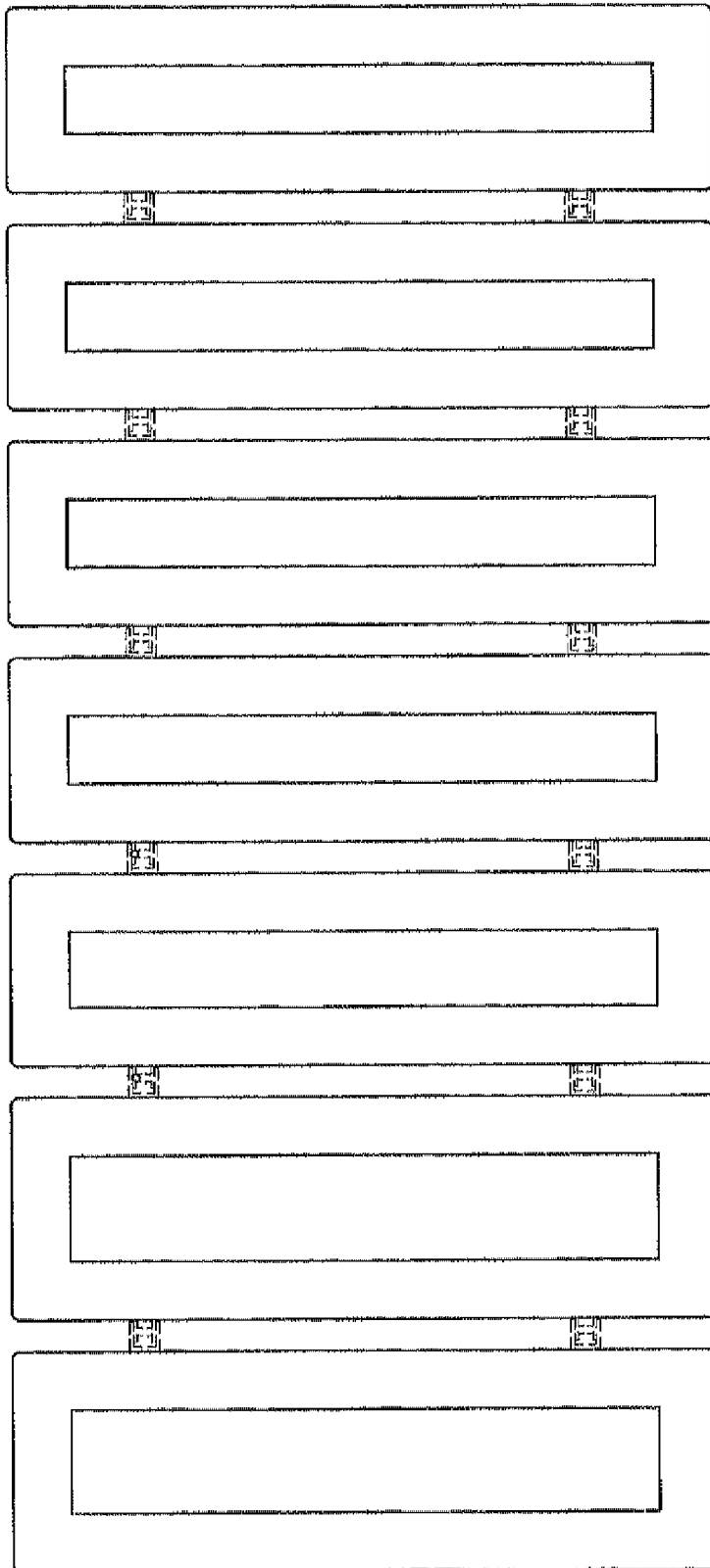


FIG. 2

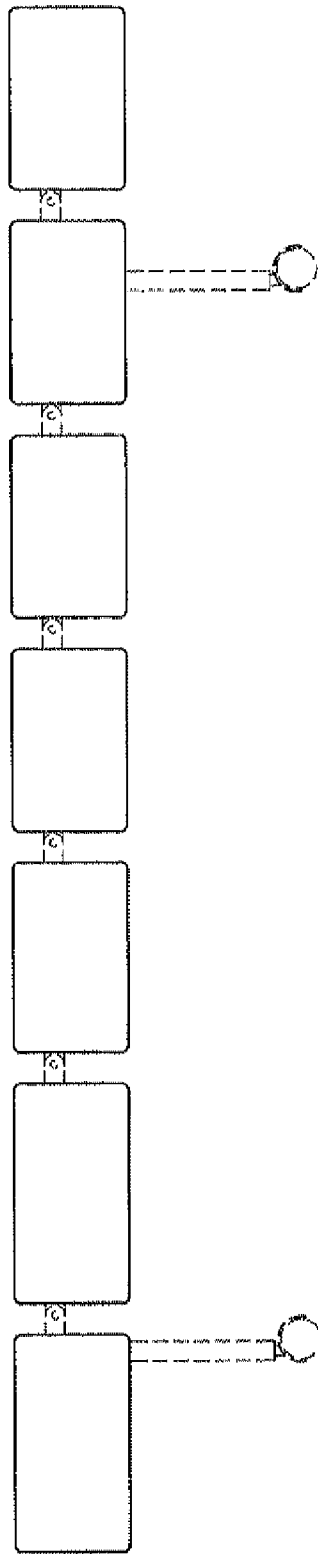


FIG. 3

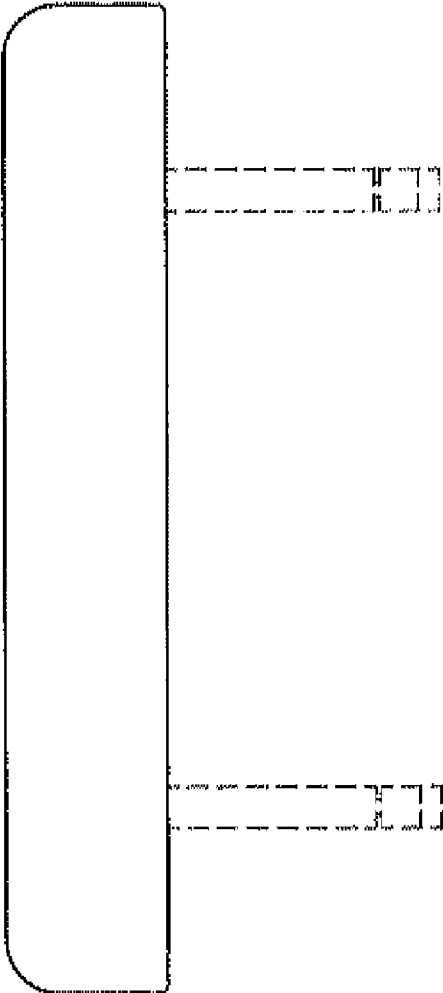


FIG. 4

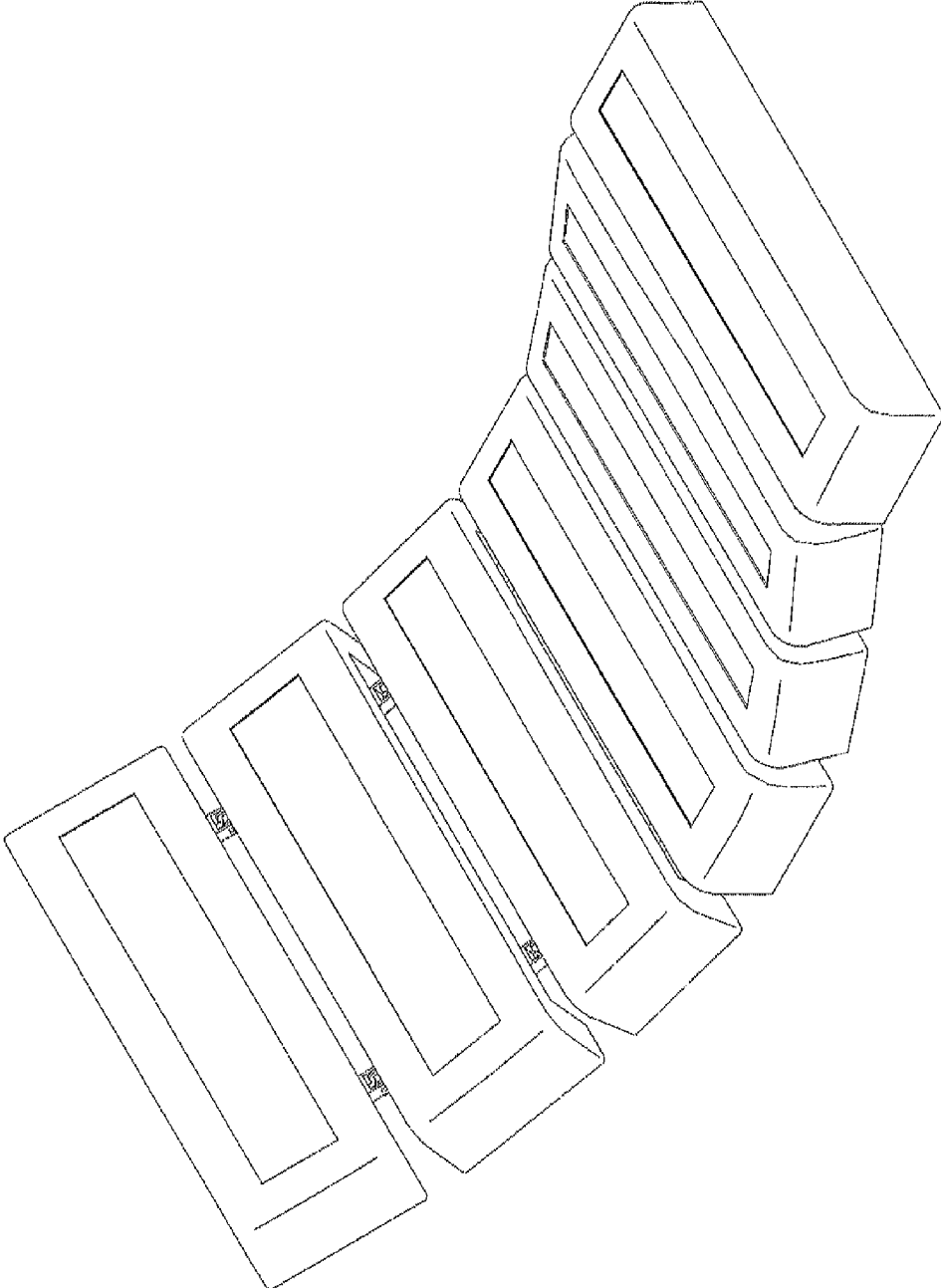


FIG. 5