



US00D663542S

(12) **United States Design Patent**
Shih

(10) **Patent No.:** **US D663,542 S**

(45) **Date of Patent:** **** Jul. 17, 2012**

- (54) **ELECTRICAL FOLDING BED**
- (75) Inventor: **Chuan-Hang Shih**, Changhua County (TW)
- (73) Assignees: **Ruoey Lung Enterprise Corp.**, Changhua County (TW); **PPJ, LLC**, Natick, MA (US)

5,109,558	A *	5/1992	Di Blasi	5/611
5,926,877	A *	7/1999	Lin	5/618
5,953,778	A *	9/1999	Hiatt	5/716
2004/0074002	A1 *	4/2004	Bannister	5/613
2004/0187213	A1 *	9/2004	Wang	5/618
2008/0120777	A1 *	5/2008	Rawls-Meehan	5/600
2010/0186168	A1 *	7/2010	Harrison	5/616
2010/0287704	A1 *	11/2010	Hibler	5/613

* cited by examiner

(*) Notice: This patent is subject to a terminal disclaimer.

Primary Examiner — Janice Seeger

(**) Term: **14 Years**

(57) **CLAIM**

(21) Appl. No.: **29/392,752**

The ornamental design for an electrical folding bed, as shown and described.

(22) Filed: **May 26, 2011**

DESCRIPTION

- (51) **LOC (9) Cl.** **06-02**
- (52) **U.S. Cl.** **D6/392; D6/601**
- (58) **Field of Classification Search** D6/595, D6/596, 601, 605, 382-384, 392, 361; 5/600, 5/607, 613, 616, 618, 620, 149, 420, 722
See application file for complete search history.

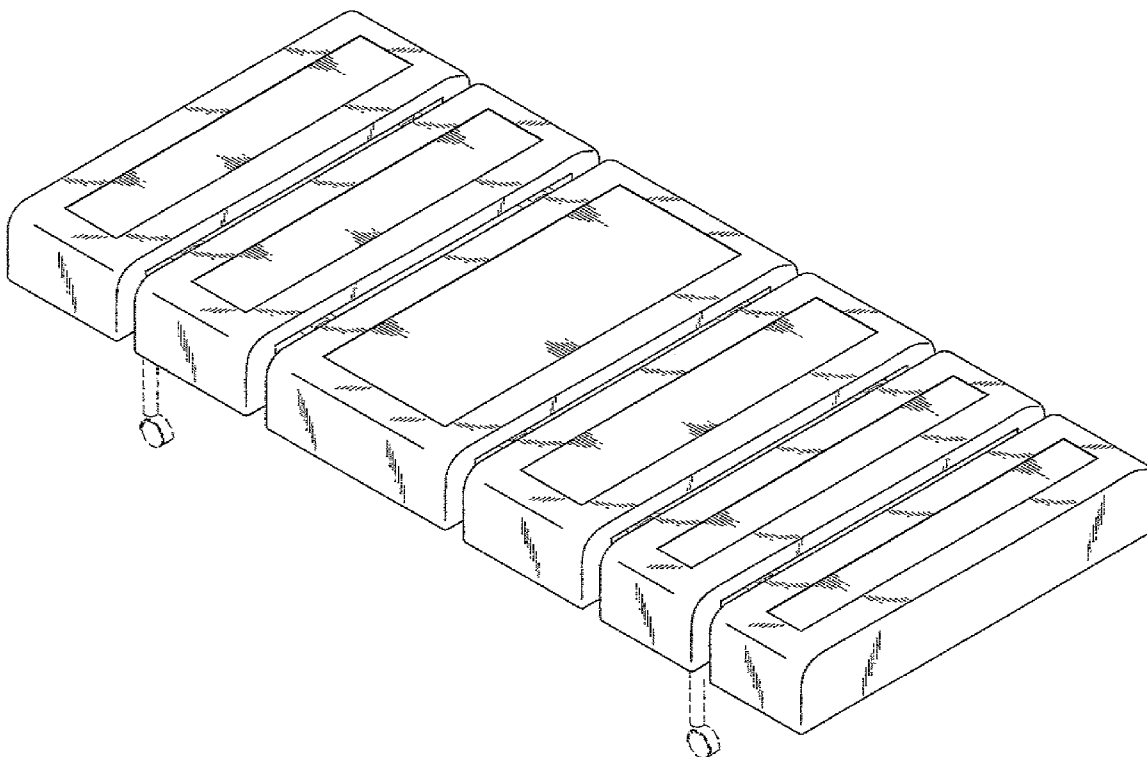
FIG. 1 shows a perspective view of the present design.
 FIG. 2 shows a top view of the present design.
 FIG. 3 shows a front view of the present design.
 FIG. 4 shows a right view of the present design; and,
 FIG. 5 is a perspective view showing the bed in a folded condition.
 The broken lines are for environmental purposes only and form no part of the claimed design.

(56) **References Cited**

U.S. PATENT DOCUMENTS

- D255,402 S * 6/1980 Lundgren D6/382
- D271,729 S * 12/1983 Dodrill D6/392

1 Claim, 5 Drawing Sheets



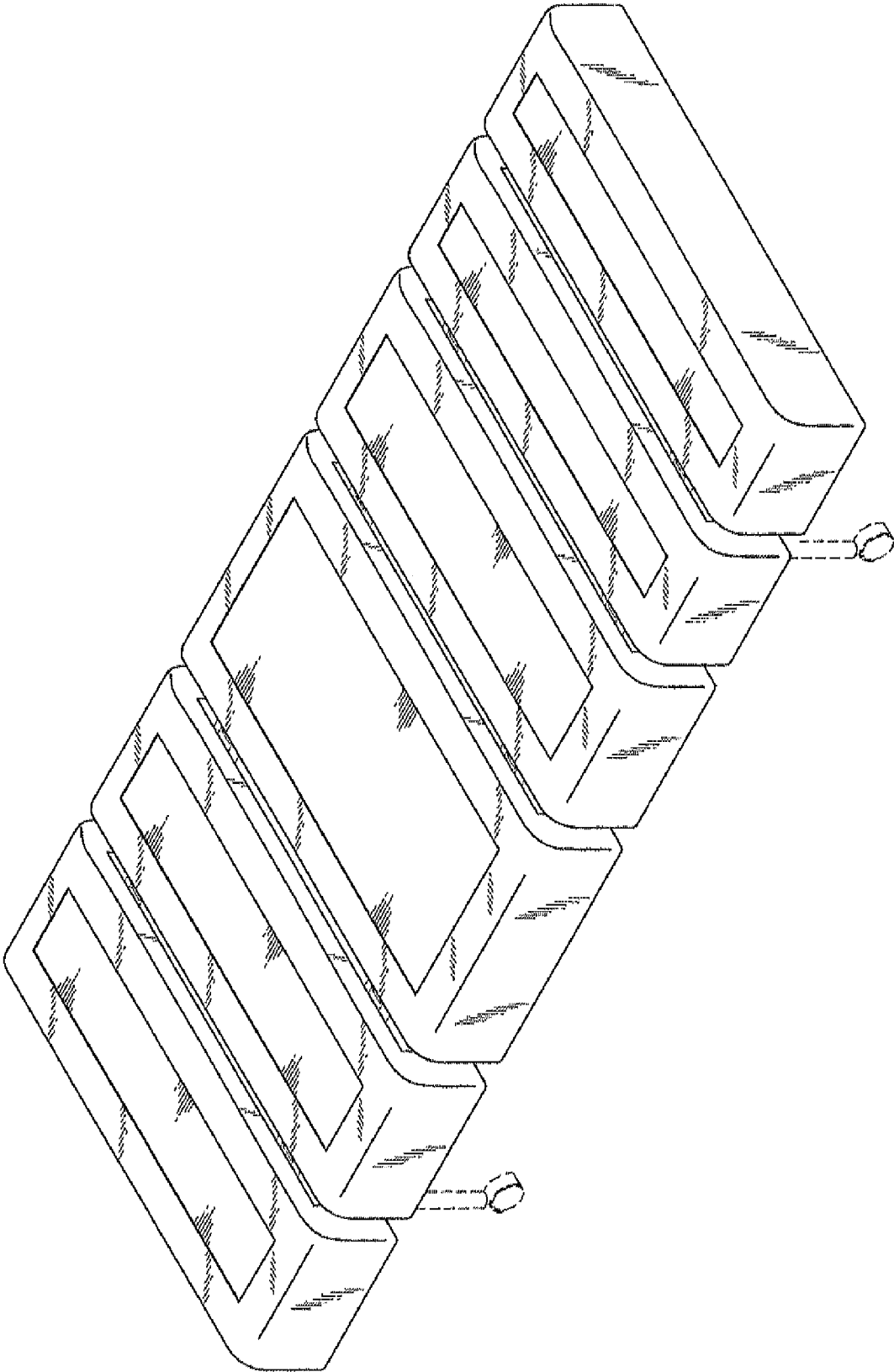


FIG. 1

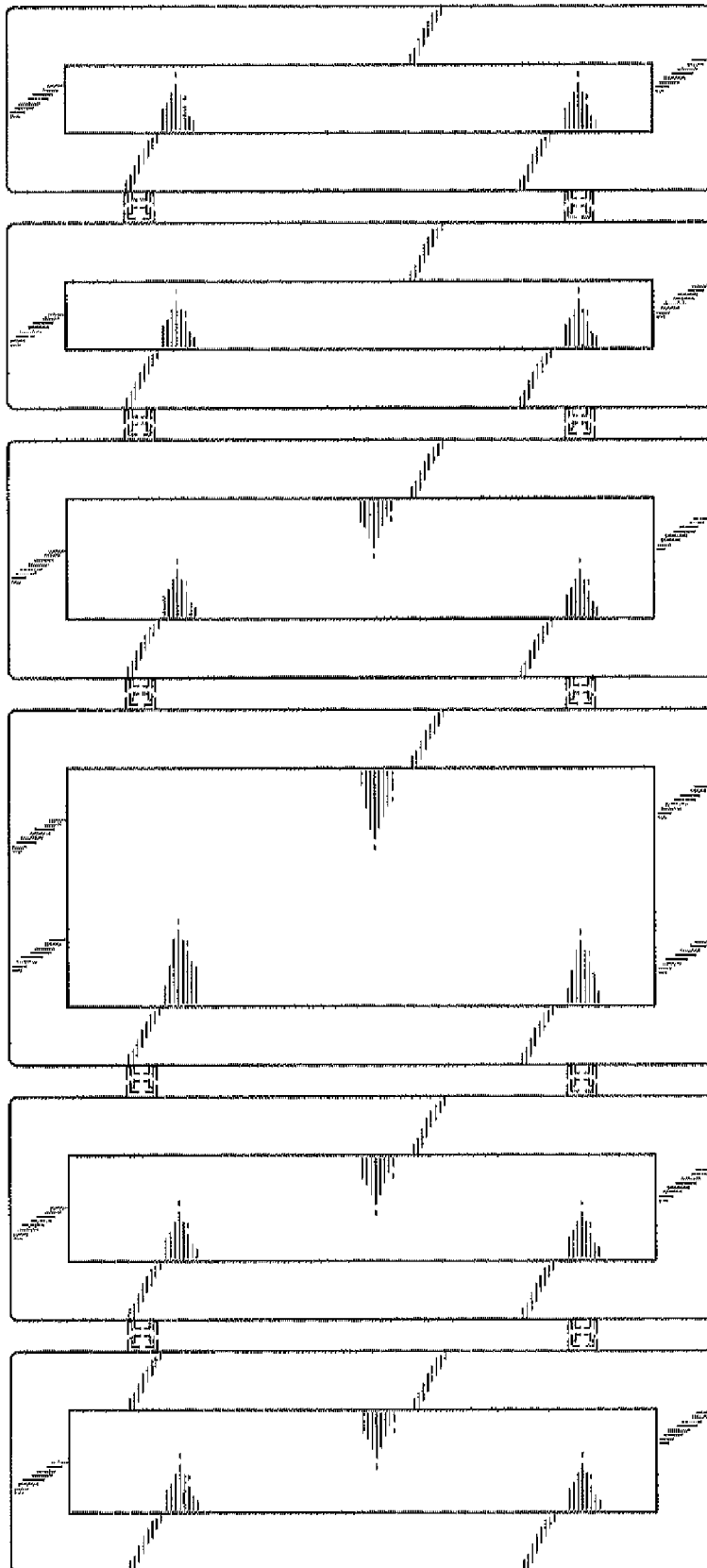


FIG. 2

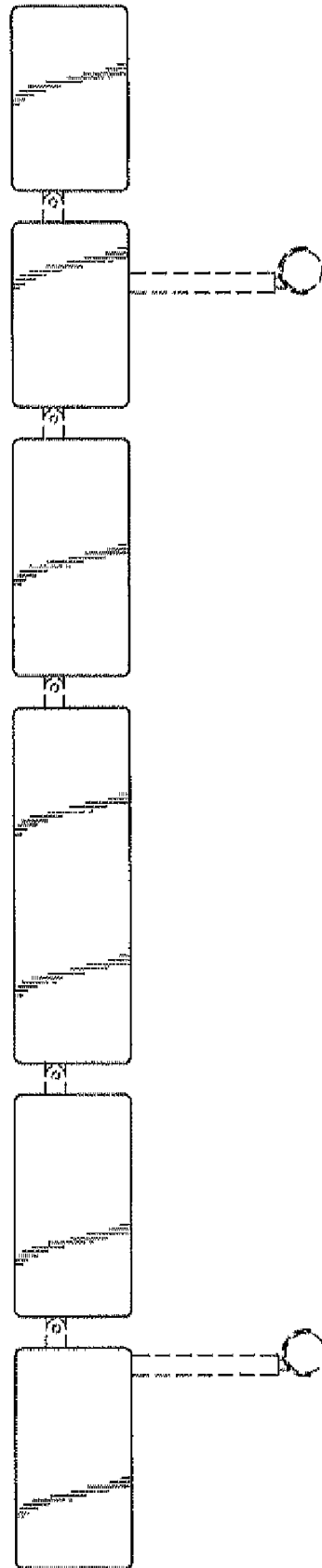


FIG. 3

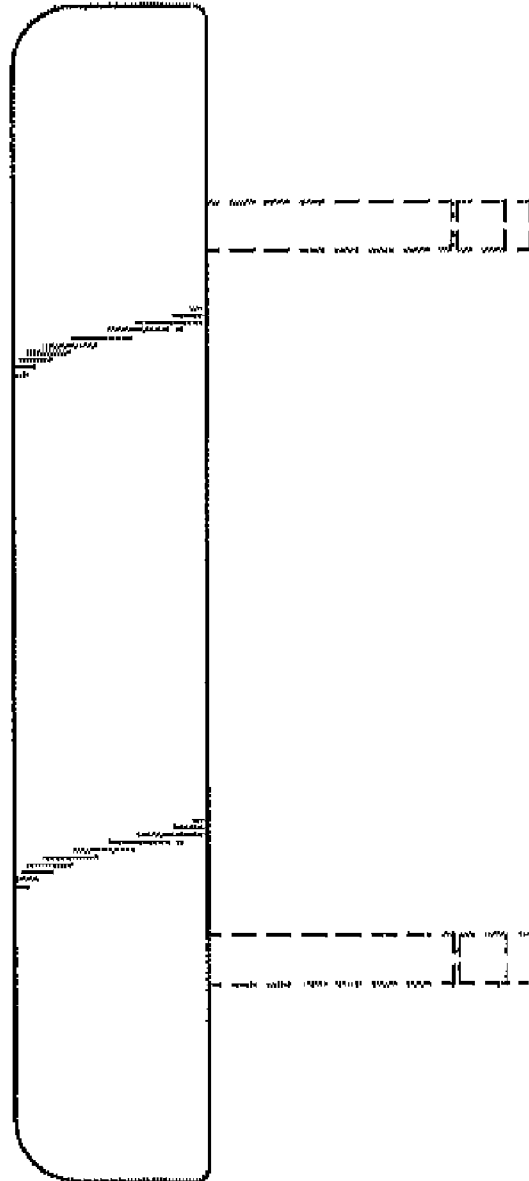


FIG. 4

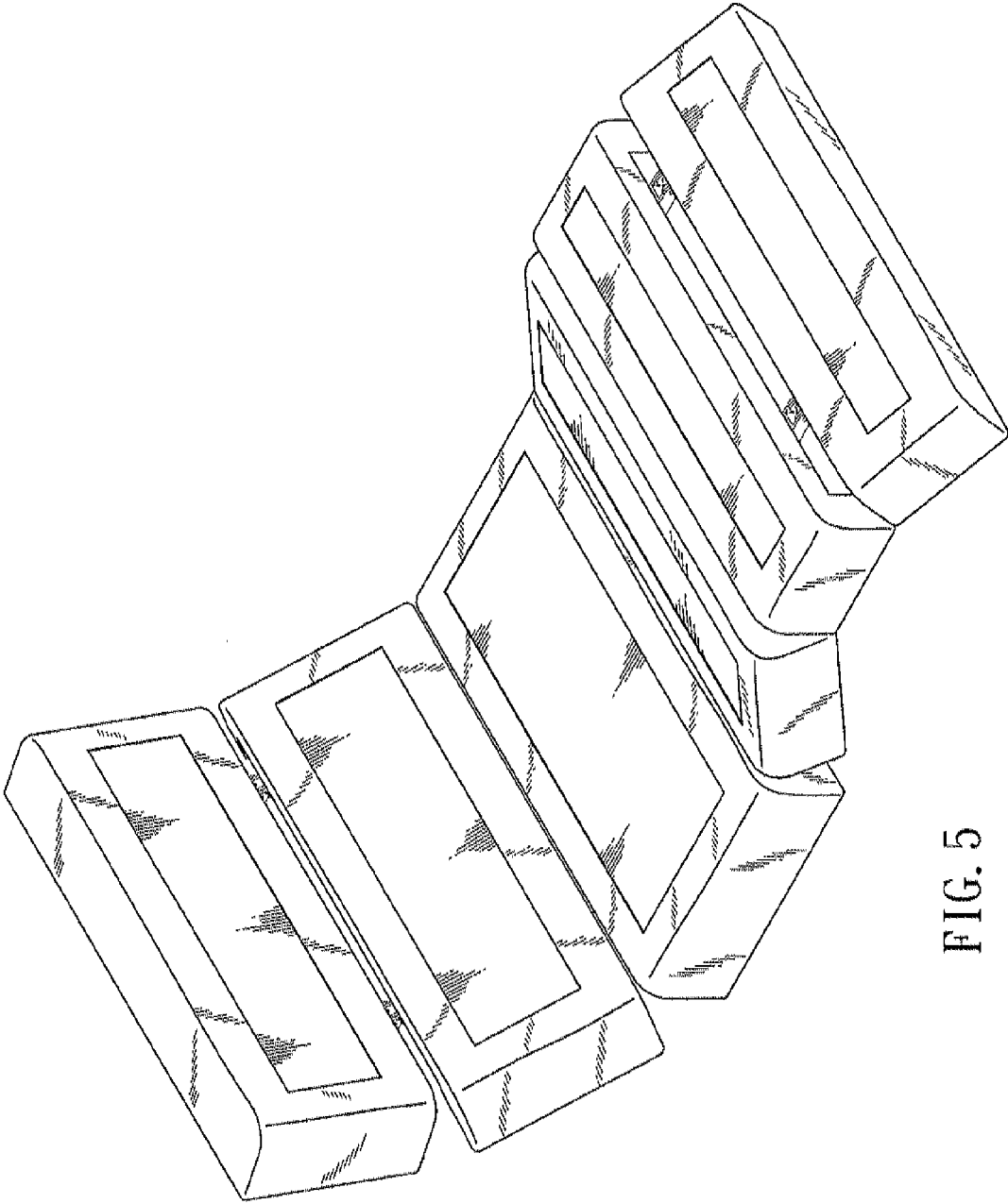


FIG. 5