

EST 1979

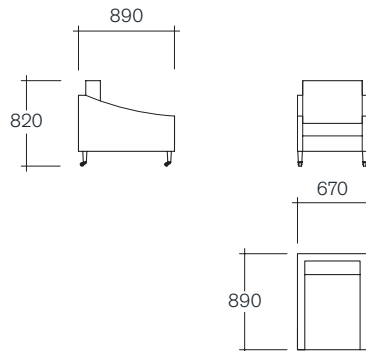
# COLLETTE CHAIR

Australian designed  
& manufactured



## Diane Bergeron for Arthur G Collette Chair

### Dimensions



### Specifications



**Materials**  
solid hardwood

**Insert**  
premium foam with  
dacron wrap or  
feather wrap

**Leg**  
Victorian Ash,  
castor

**Stain**  
various

**Upholstery**  
fabric, leather

**Optional**  
contrast piping,  
self piped

**Guarantee**  
10 year structural  
guarantee

GECA certified  
manufacturer