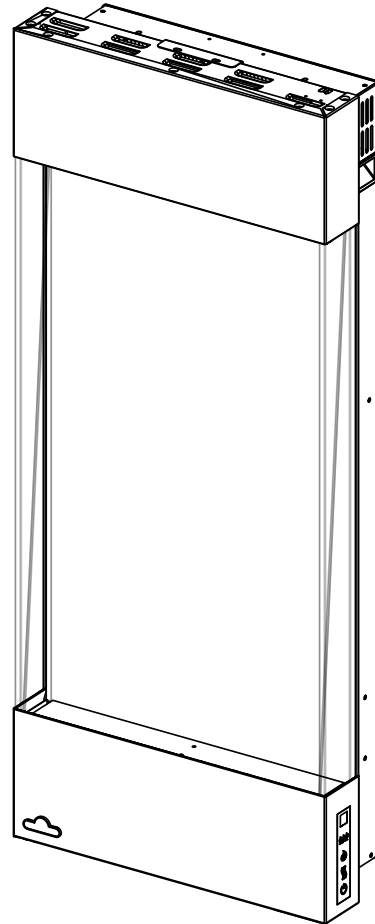




INSTALLATION AND OPERATION MANUAL

Allure™ Vertical Series

(NEFVC38H Illustrated)



This appliance has a remote that requires button batteries that are hazardous to young children.

SAFETY INFORMATION

⚠ WARNING

FIRE OR EXPLOSION HAZARD

If the information in these instructions are not followed exactly, a fire or explosion may result causing property damage, personal injury, or loss of life.

- Do not store or use gasoline or other flammable vapors and liquids in the vicinity of this or any other appliance.

INSTALLER:

Leave this manual with the appliance

CONSUMER:

Retain this manual for future reference

FOR INDOOR USE ONLY

CERTIFIED TO THE CANADIAN AND AMERICAN NATIONAL STANDARDS:
CSA 22.2 NO. 46 / UL 2021

APPLY SERIAL NUMBER LABEL FROM CARTON



Serial No. XXXXX00000
MODEL NO.



Wolf Steel Ltd., 24 Napoleon Rd., Barrie, ON, L4M 0G8 Canada / 103 Miller Drive, Crittenden, Kentucky, USA, 41030
Phone 1 (866) 820-8686 • www.napoleonfireplaces.com • hearth@napoleonproducts.com

! WARNING

- **If equipped with a heater, this appliance can be hot when operated and can cause severe burns if contacted.**
- Do not operate appliance before reading and understanding operating instructions. Failure to operate appliance according to operating instructions could cause fire or injury.
- Do not install damaged, incomplete or substitute components.
- Do not burn wood or other materials in this appliance.
- All electric appliances have hot and arcing or sparking parts inside. Do not use it in areas where a gas line, paint or flammable liquids are present.
- Any safety screen or guard removed for servicing must be replaced prior to operating the appliance.
- It is imperative that the control compartments, circulating blower and its passageway in the appliance are kept clean. The appliance should be inspected before use and at least annually by a qualified service person. More frequent cleaning may be required due to excessive lint from carpeting, bedding material, etc. The appliance area must be kept clear and free from combustible materials, gasoline and other flammable vapors and liquids.
- Under no circumstances should this appliance be modified.
- Do not use this appliance if any part has been under water. Immediately call a qualified service technician to inspect the appliance and to replace any part of the control system which has been under water.
- If equipped with a glass door, do not operate the appliance with the glass door removed, cracked or broken. Replacement of the glass should be done by a licensed or qualified service person. Do not strike or slam shut the appliance glass door.
- Keep the packaging material out of reach of children and dispose of the material in a safe manner. As with all plastic bags, these are not toys and should be kept away from children and infants.
- Servicing should be done only while the appliance is disconnected from the power supply circuit.
- Always unplug appliance when not in use.
- Do not operate this appliance with a damaged cord or plug after the appliance malfunctions, has been dropped or damaged in any manner. Return appliance to authorized service facility for examination, electrical or mechanical adjustment, or repair.
- Do not use outdoors.
- When installing this appliance in a room where water is present, the installation must comply with codes recognizing the increased hazard of electrical shock and electrocution.

note:

This appliance IS suitable for installation in a bathroom.


- Do not run cord under carpeting. Do not cover cord with throw rugs, runners, or the like. Arrange cord away from traffic area and where it will not be tripped over.
- Connect to properly grounded outlets only.
- Do not insert or allow foreign objects to enter any ventilation or exhaust opening as this may cause an electric shock or fire, or damage the appliance.
- It is normal for your electric appliance to produce noise, especially when installed in a quiet space such as a bedroom.

 **WARNING**

- To prevent a possible fire, do not block air intakes or exhaust in any manner. Do not use on soft surfaces, like a carpet, where openings may become blocked.
- Always plug appliances directly into a wall outlet/receptacle. Never use an extension cord or relocatable power tap (outlet/power strip).
- These appliances are tested and listed for use only with the optional accessories listed in these instructions. Use of optional accessories not specifically tested for this appliance could void the warranty and/or result in a safety hazard.

For appliances equipped with a heater:

- Risk of burns. Power to the appliance should be turned off and the appliance allowed to cool before servicing. To disconnect power to the appliance, turn controls to off, then remove plug from outlet.
- Young children should be carefully supervised when they are in the same room as the appliance. Toddlers, young children and others may be susceptible to accidental contact burns. A physical barrier is recommended if there are at risk individuals in the house. To restrict access to an appliance or stove, install an adjustable safety gate to keep toddlers, young children and other at risk individuals out of the room and away from hot surfaces.
- Clothing or other flammable material should not be placed on or near the appliance.
- Due to high temperatures, the appliance should be located out of traffic and away from furniture and draperies.
- Ensure you have incorporated adequate safety measure to protect infants/toddlers from touching hot surfaces.
- Even after the appliance is off, the glass and/or screen will remain hot for an extended period of time.
- Check with your local hearth specialty dealer for safety screens and hearth guards to protect children from hot surfaces. These screens and guards must be fastened to the floor.
- Ensure clearances to combustibles are maintained when building a mantel or shelves above the appliance. Elevated temperatures on the wall or in the air above the appliance can cause melting, discolouration or damage to decorations, a T.V. or other electronic components.

 **WARNING:** This product can expose you to chemicals including lead and lead compounds, which are known to the State of California to cause cancer, and chemicals including BBP and DEHP, which are known to the State of California to cause birth defects or other reproductive harm. For more information, go to www.P65Warnings.ca.gov.

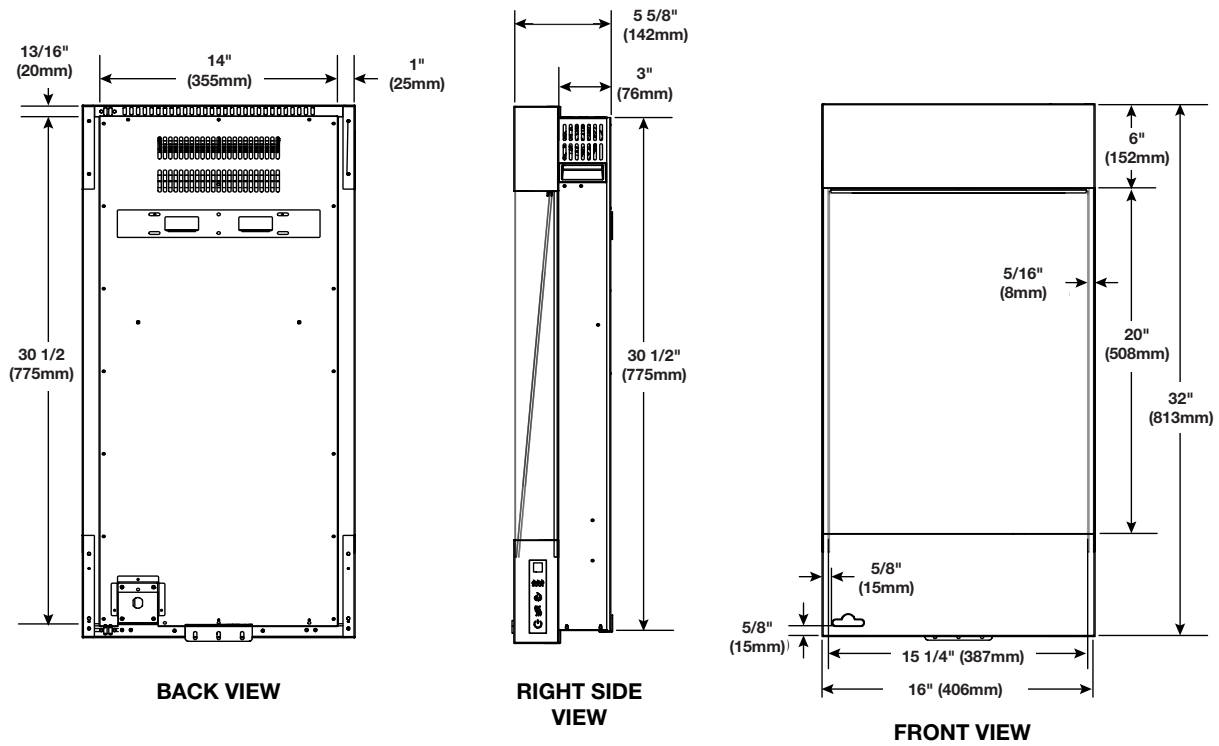
1.0	general information	5
1.1	dimensions	5
1.2	listing approvals	6
1.3	general instructions	6
1.4	unpacking and testing appliance	6
1.5	rating plate information	7
1.6	label location	8
1.7	hardware list	8
2.0	installation	9
2.1	locating the appliance	9
2.2	grounding appliance	10
2.3	minimum clearance to combustibles	10
2.4	minimum mantel clearances	10
2.5	installing the appliance onto the wall (wall mount)	11
2.6	installing the appliance into the wall (recessed)	14
3.0	electrical information	15
3.1	wiring diagram	15
3.2	hard-wiring installation	16
4.0	operating instructions	17
4.1	operating control panel	17
4.2	operating remote control	18
4.3	remote battery installation	19
5.0	finishing	20
5.1	crystal ember installation	20
5.2	birch wood log installation (NEFVC38H only)	20
5.3	glass door installation	21
5.4	glass door removal	22
6.0	replacement parts	23
6.1	NEFVC32H overview	24
6.2	NEFVC38H overview	25
7.0	troubleshooting	26
8.0	warranty	27

note:

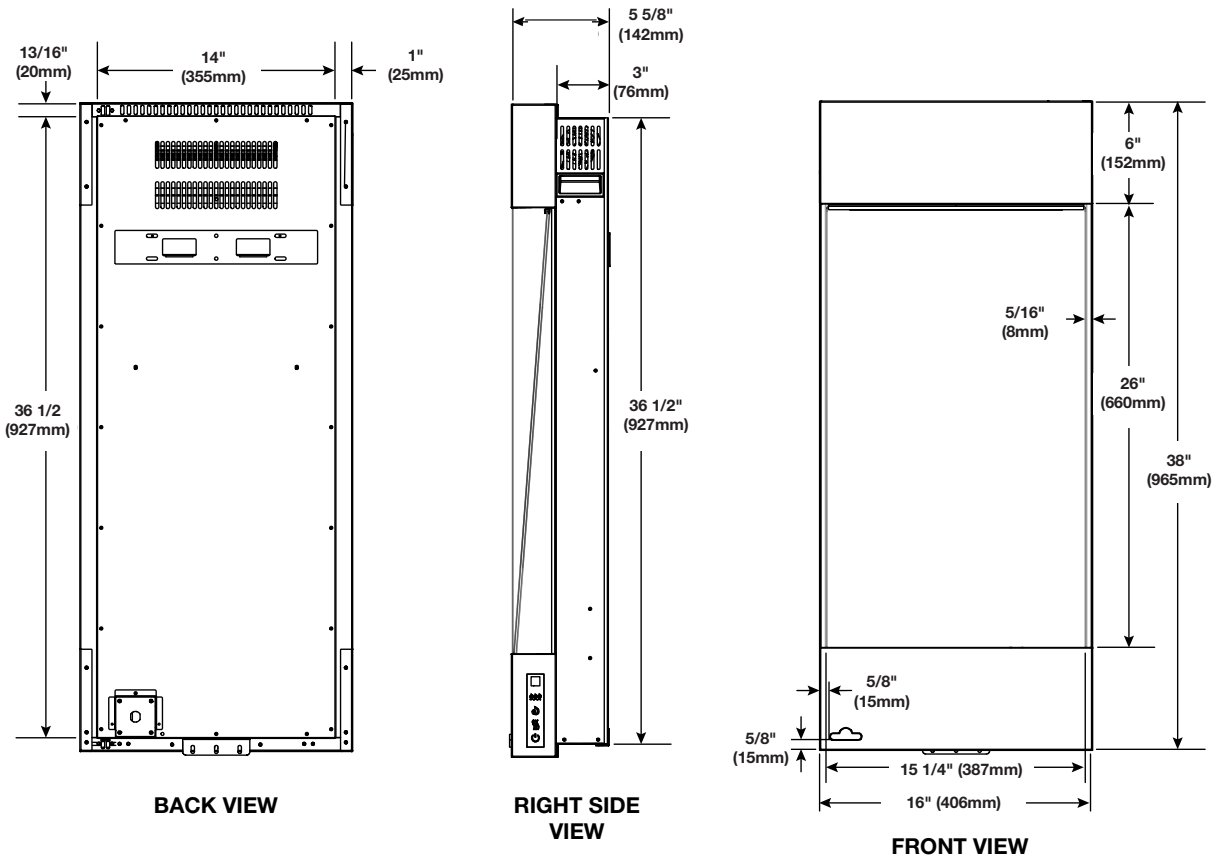
The information throughout this manual is believed to be correct at the time of printing. Wolf Steel Ltd. reserves the right to change or modify any information within this manual at any time without notice. Changes, other than editorial, are denoted by a vertical line in the margin.

1.1 dimensions

NEFVC32H Illustrated



NEFVC38H Illustrated



general information

1.2 listing approvals

Model Number	NEFVC32H	NEFVC38H
Description	32" Contemporary Vertical Electric Appliance	38" Contemporary Vertical Electric Appliance
Voltage	120V AC	120V AC
Watts	Max 1500W	Max 1500W
Amps	15 AMP Grounded Circuit	15 AMP Grounded Circuit
Appliance Width	16" (406mm)	16" (406mm)
Appliance Height	32" (813mm)	38" (965mm)
Appliance Depth	5 5/8" (142mm)	5 5/8" (142mm)
Net Weight	25lbs (11.3kg)	28.2lbs (12.8kg)
Gross Weight	33 lbs (15kg)	38.5lbs (17.5kg)

This appliance has been tested in accordance with the CSA Standards for fixed and location-dedicated electric room appliances in the United States and Canada. If you need assistance during installation, please contact your local dealer.

note:

This appliance must be electrically wired and grounded in accordance with local codes or, in the absence of local codes, with National Electric Code ANSI/NFPA 70 latest edition in the United States or the Canadian Electric Code CSA C22.1 in Canada.

1.3 general instructions

- Prior to plugging your appliance into an electrical outlet, verify that the house circuit breakers for the outlet are on.
- The appliance may emit a slight, harmless odour when first used. This odour is normal and it is caused by the initial heating of internal appliance elements and will not occur again.
- If your appliance does not emit heat when called for, consult the "operation" section of this manual for further information.
- Use with a CSA or UL certified surge protector.
- Do not route the power cord directly underneath the appliance.

This electric appliance meets the construction and safety standards of H.U.D. for application in manufactured homes when installed according to these instructions.

As with most electronic devices, your new electric appliance has been designed to operate at temperatures between 5°C (41°F) and 35° C (95°F). During the colder winter months, allow the appliance to reach room temperature before turning it on.

1.4 unpacking and testing appliance

Carefully remove the appliance from the box and remove the support brackets. Prior to installing the appliance, remove all packaging material and test to make sure the appliance operates properly by plugging the power supply cord into a conveniently located 120V, 15 Amp minimum grounded outlet.



Batteries must be disposed of according to the local laws and regulations. Some batteries may be recycled, and may be accepted for disposal at your local recycling center. Check with your municipality for recycling instructions.

1.5 rating plate information

CERTIFIED UNDER CANADIAN AND AMERICAN NATIONAL STANDARD: CSA 22.2 NO. 46 AND UL 2021 / HOMOLOGUÉ SELON LES NORMES NATIONALES CANADIENNES ET AMÉRICAINES: CSA 22.2 NO. 46 UL 2021	
ELECTRIC FIREPLACE. SUITABLE FOR BEDROOM AND BED-SITTING ROOM INSTALLATION.	Foyer à Électrique. Homologué pour installation dans une chambre à coucher et un studio.
	
MASTER CONTRACT: 161746	CONTRAT-CADRE: 161746
MODEL / MODÈLE: <input type="checkbox"/> NEFVC32H <input type="checkbox"/> NEFVC38H	
VOLTAGE: 120 VAC	TENSION: 120VCA
FREQUENCY: 60Hz	FRÉQUENCE: 60Hz
POWER: 1500W	PUISSANCE: 1500W
DATE CODE: DESIGNED IN NORTH AMERICA BY WOLF STEEL LTD.	CODE DE DATE: DÉSIGNÉ AMÉRIQUE DU NORD PAR WOLF STEEL LTD.
MADE IN CHINA	FABRIQUÉ EN CHINE
WOLF STEEL LTD. 24 NAPOLEON ROAD, BARRIE, ON, L4M 0G8 CANADA	SERIAL NUMBER/NO. DE SÉRIE: NEFVC
	W385-2313 / A

For rating plate location, see “label location” section.

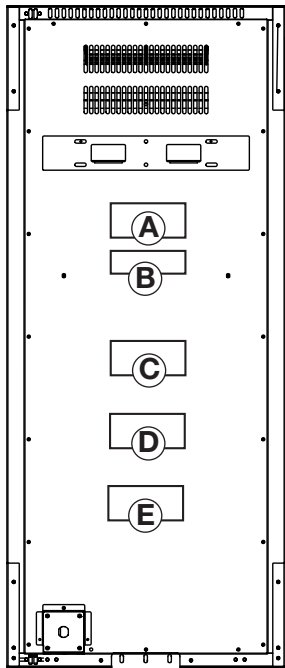
This illustration is for reference only. Refer to the rating plate on the appliance for accurate information.

note:
 The rating plate must remain with the appliance at all times. It must not be removed.

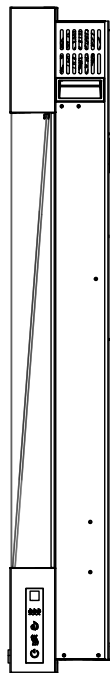
general information

1.6 label location

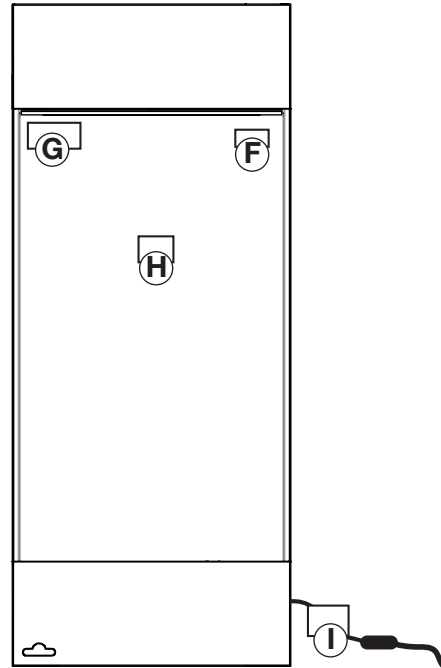
note:
Labels may not always appear exactly where they are illustrated.



BACK VIEW



RIGHT SIDE VIEW

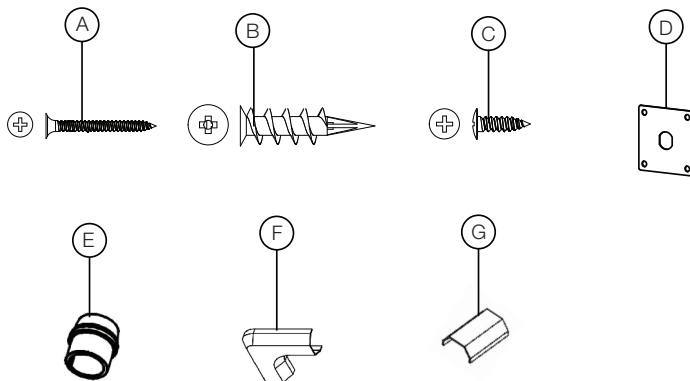


FRONT VIEW

Ref.	Part Number	Label Description
A	W385-2313	Rating Plate
B	W385-2163	Warning Label
C	W385-2167	Caution Label
D	W385-2315	Wiring Diagram Label
E	W385-2003	Hard Wiring Label

Ref.	Part Number	Label Description
F	W385-1946	"Do Not Cover" Label
G	W385-2017	"Hot Surface" Label
H	W385-2316	Remote Control Indicating Label (NOTE: Remove after first use.)
I	W385-1943	Warning Label

1.7 hardware list



	Description	Quantity
A	Wood Screws	6
B	Drywall Anchors	6
C	ST4x12 Metal Screws	8
D	Cover Plate	1
E	Strain Relief	1
F	Cord Corner	2
G	Cord Cover	2

WARNING

- Risk of fire! The power cord must not be pinched against a sharp edge. Secure cord to avoid tripping or snagging to reduce the risk of fire, electric shock, or personal injury. Do not run cord under carpeting. Do not cover cord with throw rugs, runners, or similar items. Arrange cord away from traffic areas and where it will not be tripped over.
- Risk of fire! To prevent a possible fire, do not block air intake or exhaust in any manner. Do not use on soft surfaces where openings may become blocked.
- Risk of fire! Do not blow or place insulation against the appliance.
- This electric appliance is tested and listed for use only with the approved optional accessories. Use of optional accessories not specifically tested for this electric appliance could void the warranty and/or result in a safety hazard.
- If the information in these instructions is not followed exactly, a fire or explosion may result causing property damage, personal injury, or death. Do not store or use gasoline or other flammable vapors in the vicinity of this or any other appliance.
- This appliance is heavy. It is highly recommended that two people install this appliance.
- If your appliance is equipped with a heater, ensure the heater vents cannot, in any way, be covered as it may create a fire hazard.
- Do not run the power cord horizontally, directly below the appliance.

Your appliance is a wall-mounted or recessed appliance. Select a suitable location that is not susceptible to moisture and is away from drapes, furniture and high traffic areas.

note:

Follow all national and local electrical codes.

2.1 locating the appliance

WARNING

- Due to high temperatures, this electric appliance should be located out of traffic. Keep combustible materials such as furniture, pillows, bedding, papers, clothes, curtains, and similar items at least 36" (91.4cm) from the front of the appliance.
- Never locate this electric appliance where it may fall into a bathtub or other water container.
- Wear safety gloves and safety glasses for protection during installation and maintenance.
- To prevent contact with sagging or loose insulation, the electric appliance must not be installed against vapor barrier or exposed insulation. Localized overheating could occur, possibly resulting in a fire.
- Do not expose the electric appliance to the elements (i.e. rain).

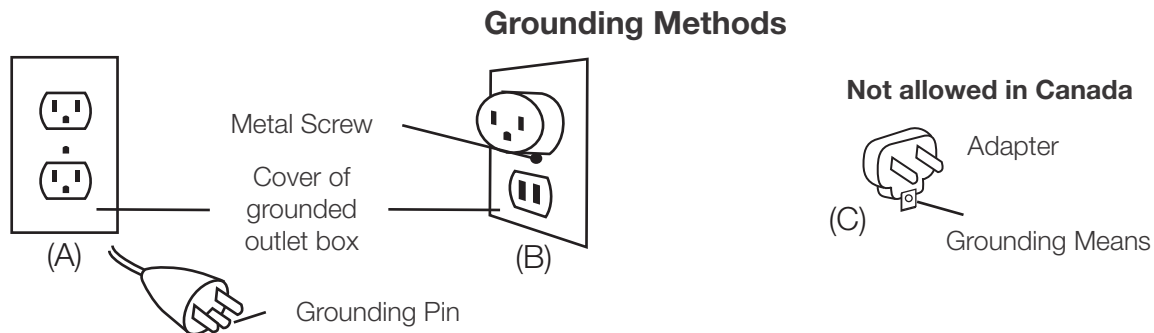
installation

2.2 grounding appliance

This appliance is for use on 120 volts. The cord has a plug as shown in (A). An adapter as shown in (C) is available for connecting three-blade grounding type plugs to two-slot receptacles, as shown in (B).

The green grounding plug extending from the adapter must be connected to a permanent ground such as a properly grounded outlet box. The adapter should not be used if a three-slot grounded receptacle is available.

To disconnect appliance, turn controls to off, then remove plug from outlet.



note:

The appliance must be connected to a dedicated 15 amp circuit. The use of an extension cord is NOT permitted.

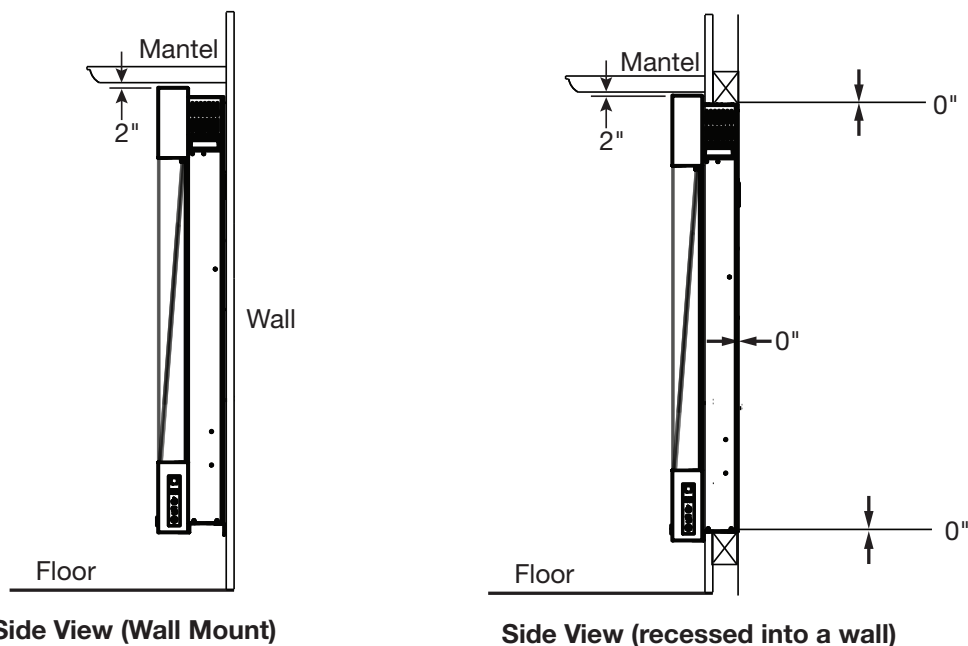
2.3 minimum clearance to combustibles

Clearance to Combustibles	
Combustibles to top	0"
Combustibles to bottom	0"
Combustibles to sides	0"
Combustibles to back	0"

2.4 minimum mantel clearances

! WARNING

- When using paint or lacquer to finish the mantel, the paint or lacquer must be heat resistant to prevent discolouration.

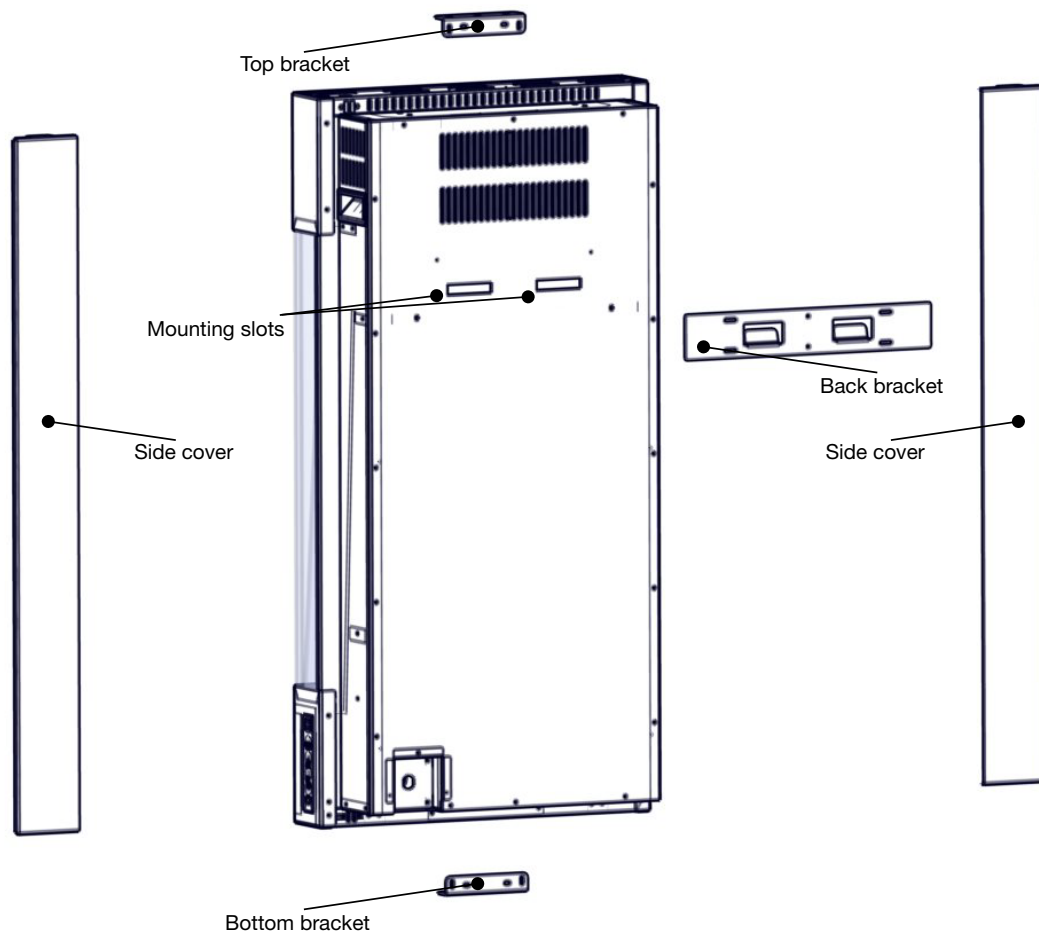


2.5 installing the appliance onto the wall (wall mount)

! WARNING

- Consult your local builder before installing the appliance. Appliance must be installed in accordance with local building codes.
- Appliance must be installed in a location not prone to moisture.
- Appliance must be installed at least 36" (91.4cm) away from combustible materials such as curtain drapes, furniture, bedding, paper, etc.

Appliance Overview (Back View)



note:

We recommend having 2 people install this appliance.

1. Remove front glass (see "glass door removal" section). If applicable, remove existing media.
2. Place appliance on a soft, non-abrasive surface then remove the side covers secured to the back of the appliance. Set aside.
3. Remove the bottom bracket (**Fig. 1**). Set aside.
4. Hold the appliance against the wall to determine its final location.

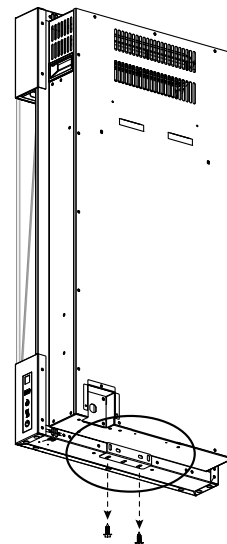
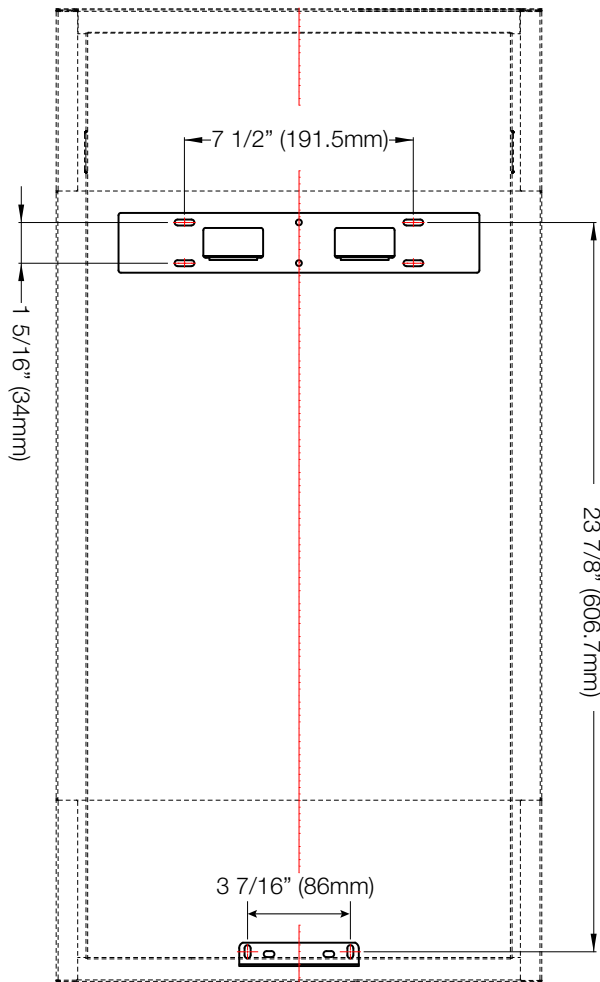


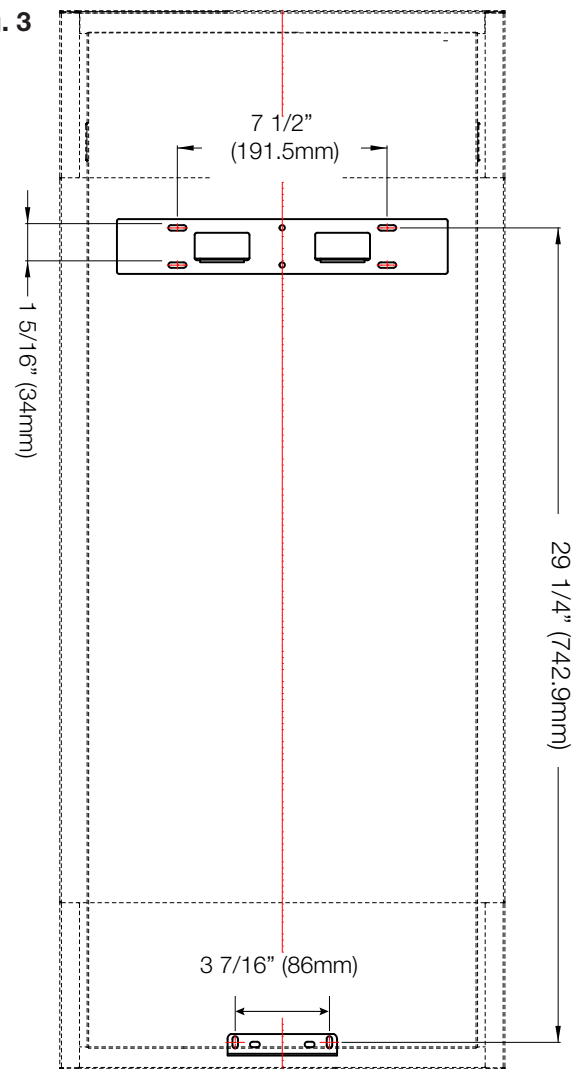
Fig. 1

Fig. 2



NEFVC32H Wall Mounting Installation Template

Fig. 3



NEFVC38H Wall Mounting Installation Template

- Using the appropriate wall mounting installation template (**Fig. 2 for NEFVC32H or Fig. 3 for NEFVC38H**), mark out the back and bottom bracket locations on the wall.

note:

The mounting brackets should be screwed into the wall studs with at least 2 screws. If the screws cannot be screwed into a stud, ensure that plastic anchors (provided) are used to affix the brackets to the wall and that the brackets are adequately secured.

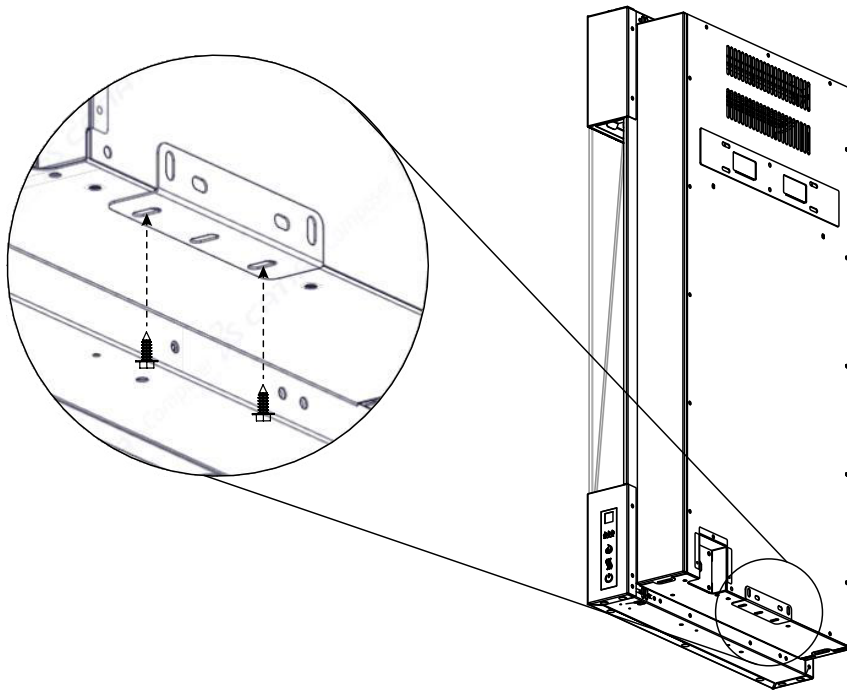
- Install the back bracket (shipped inside the styrofoam piece protecting the top of the appliance) using 2 drywall anchors and 2 wood screws (supplied). Ensure the bracket is levelled.

note:

The hooks on the back bracket must be facing upwards.

- Install the bottom bracket using 2 drywall anchors and 2 wood screws (supplied).
- Lift the appliance up until the two mounting slots clear the hooks on the back bracket. Slide appliance down until completely secured.

- Secure the appliance to the bottom bracket using the screws previously removed in Step 3 (Fig. 4).



note:

Ensure to note bottom bracket location as it differs from original shipping location (see Fig. 1).

Fig. 4

- Install the front glass (see “glass door installation” section).
- Install the side covers using the 4 screws previously removed in Step 2 (Fig. 5).

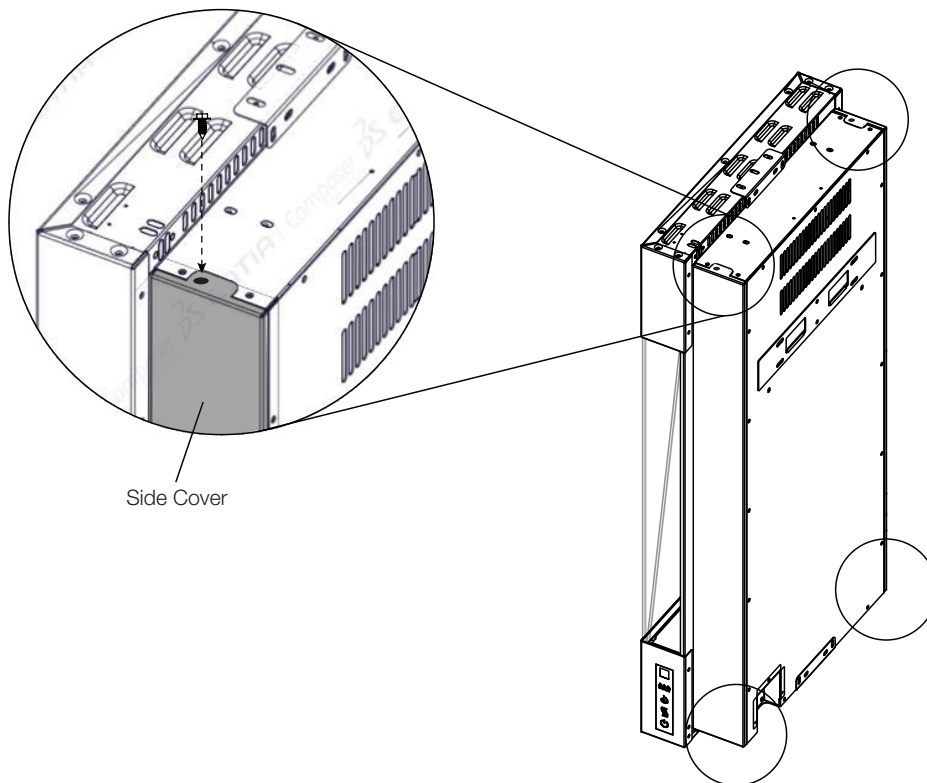


Fig. 5

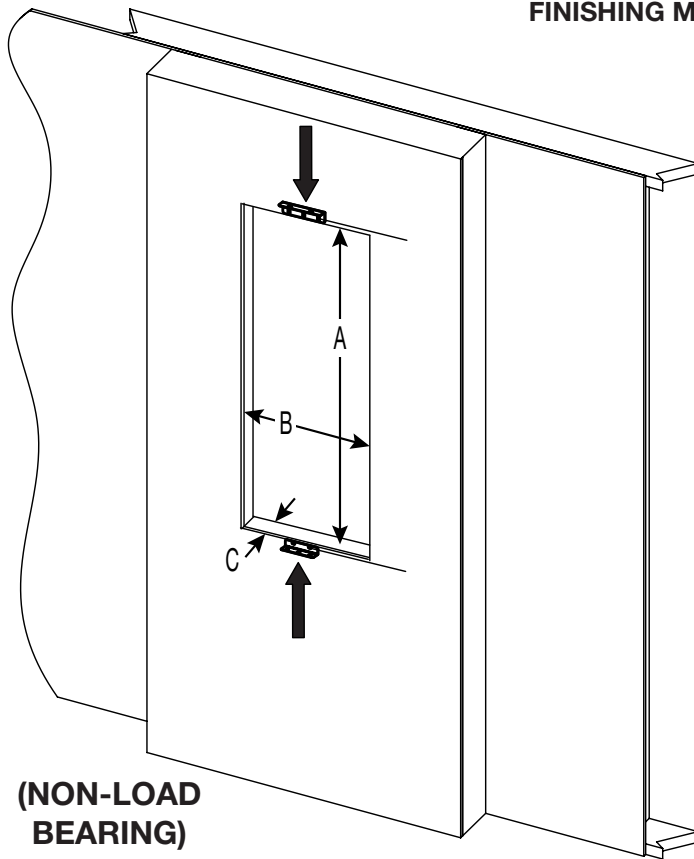
2.6 installing the appliance into the wall (recessed)

Measurements from body of appliance:

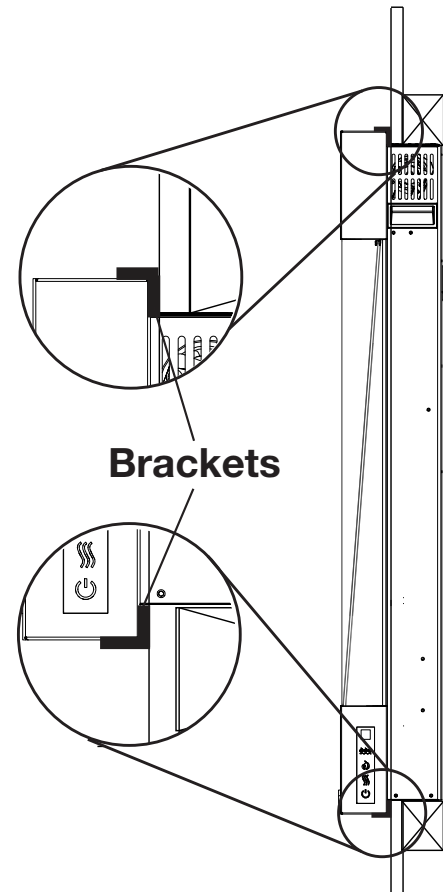
Sides, Back, Top

0"

FINISHING MATERIAL



(NON-LOAD BEARING)



Side View (recessed into a wall)

Model No.	A	B	C
NEFVC32H	30 3/4" (78.1cm)	14 1/2" (36.8cm)	3 1/2" (8.9cm) min.
NEFVC38H	36 3/4" (93.3cm)	14 1/2" (36.8cm)	3 1/2" (8.9cm) min.

1. Remove the side covers secured to the back of the appliance and discard.
2. Insert the appliance into the recess, and then mark the top and bottom bracket locations. Remove the appliance from the recess and set aside on a soft, non-abrasive surface.
3. Remove the top and bottom brackets (**Fig. 1**).
4. Using the top and bottom bracket location markings from Step 2, install the top and bottom brackets to the wall using 4 wood screws (supplied).
5. Re-insert the appliance into the recess, and then secure it to the top and bottom brackets (**Fig. 1**).

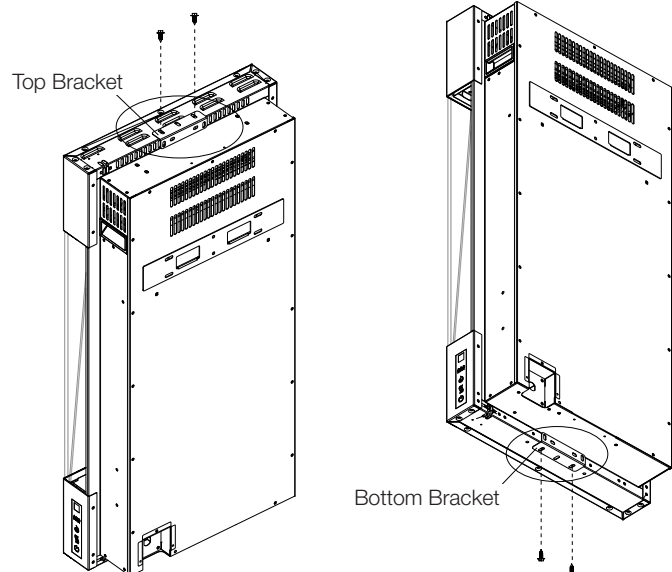
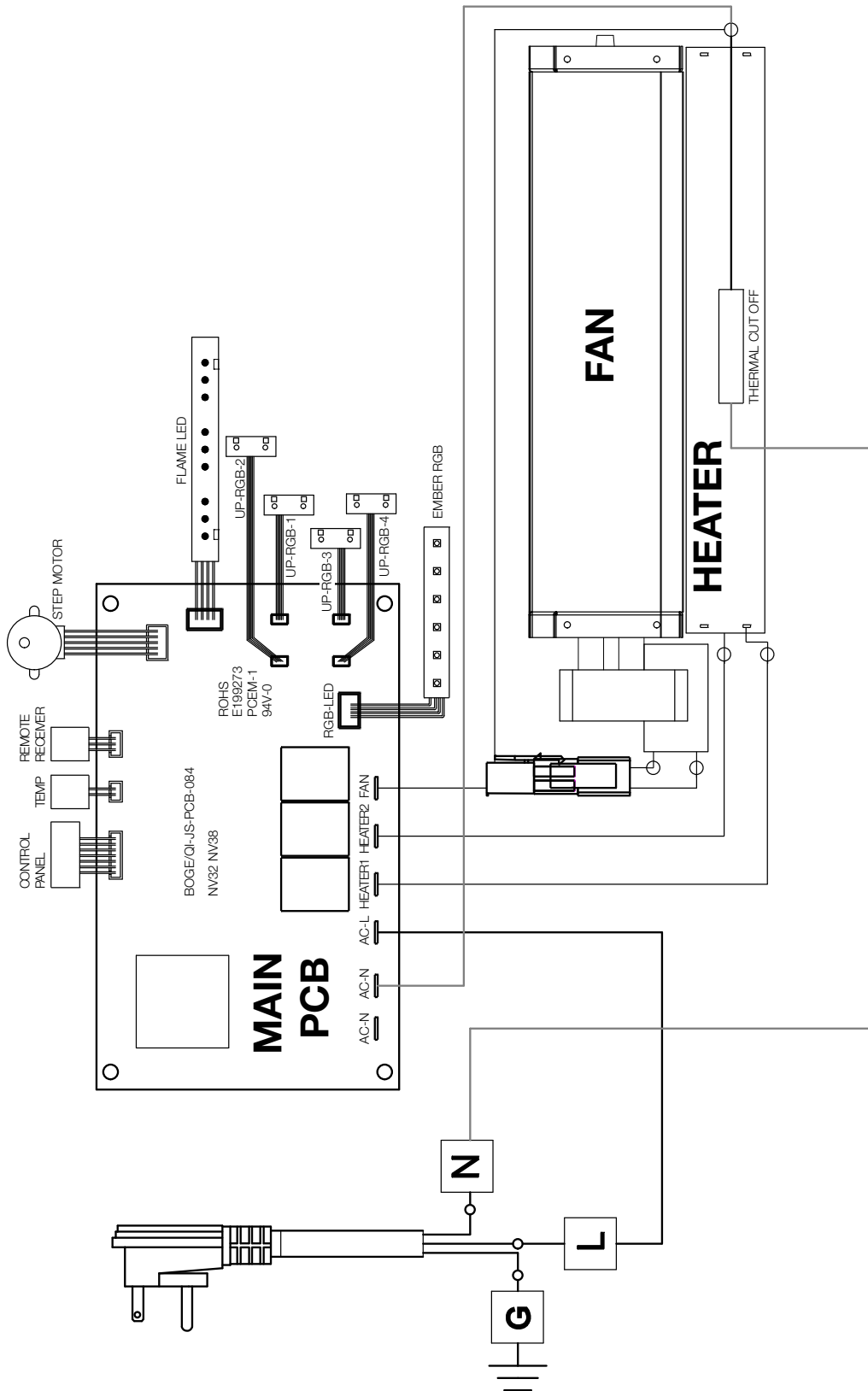


Fig. 1

3.1 wiring diagram

! WARNING

- Turn off the appliance completely and let cool before servicing. Only a qualified service person should service and repair this electric appliance.



3.2 hard-wiring installation

! WARNING

- Turn off the appliance completely and let cool before servicing. Only a qualified service person should service and repair this electric appliance.

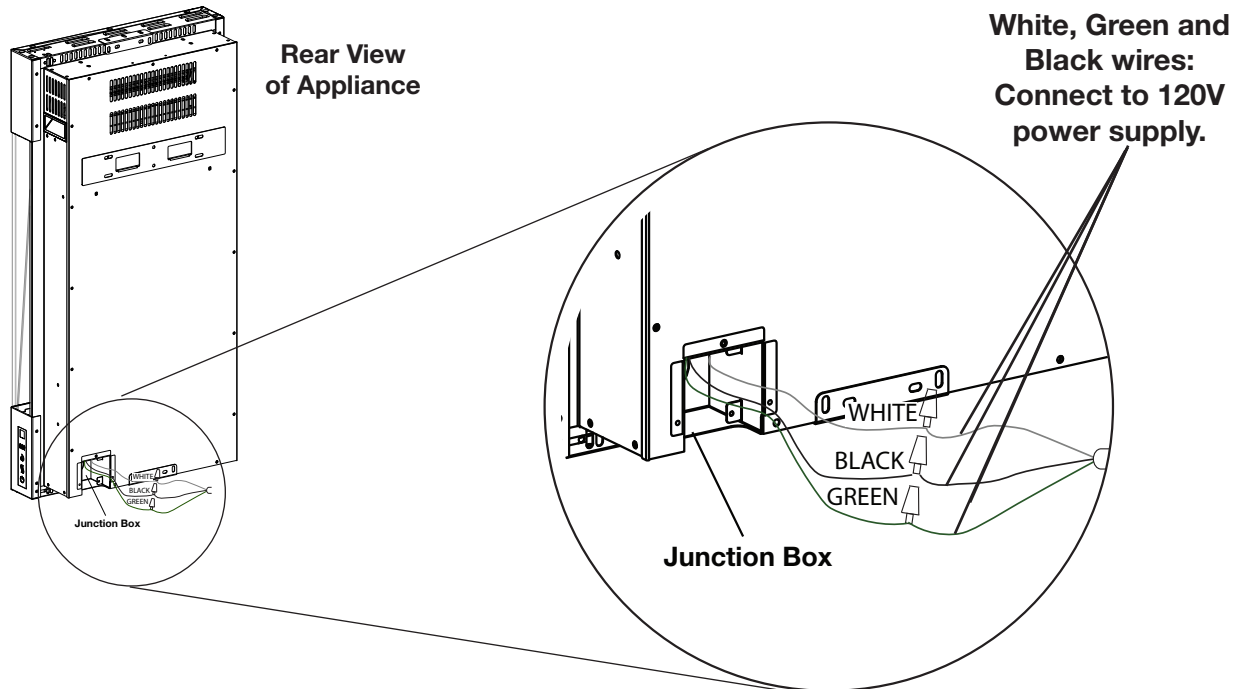
HARD WIRING CONNECTION

If it is necessary to hard wire this appliance, a qualified electrician must remove the cord connection, and wire the appliance directly to the household wiring. The wire and power supply breaker must be rated for 120V minimum 15 Amps.

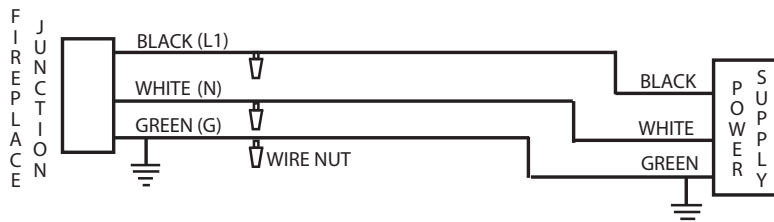
This appliance must be electrically connected and grounded in accordance with local codes, if hard wired. In the absence of local codes, use the current CSA C22.1 CANADIAN ELECTRICAL CODE in Canada or the current ANSI/NFPA 70 NATIONAL ELECTRICAL CODE in the United States.

note:

There are 3 wires from the appliance junction: white (neutral), black (power L1), and green (ground) that connect to 120V power supply (breaker panel). See below.



- Remove the 4 securing screws from the electrical cover plate, located on the bottom left hand side of the appliance (when viewed from the rear).
- Install the strain relief to the electrical cover plate (located in hardwire bag).
- Separate the black, white and green wires that have the wire nuts on them.
- Remove the wire nuts and secure the black wire (power L1) to the black (power L1) lead of the power supply. Connect the white wire from the appliance to the white (neutral) wire from the power supply. Connect the green wire to the ground wire.
- Resecure the electrical cover plate.









WARNING

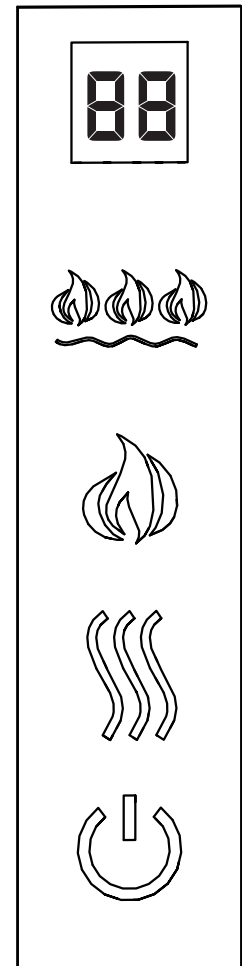
- Ensure the house circuit breakers for the power supply are turned on. When initially connecting the appliance to a power source, the appliance will perform an LED check. The appliance will flash on and off for 5 seconds.

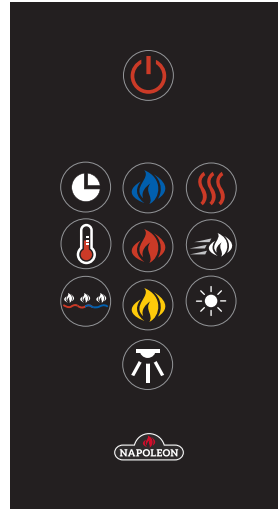
Once the appliance has been plugged into a grounded electrical outlet or hard wired to a dedicated 120V power supply, it is ready to operate.












4.1 operating control panel

The Control Panel is located on the right side of the appliance (when viewed from the front).

Power		Turns the appliance on/off.
Ember Bed Light		Controls ember bed light settings. Settings: L0 - Ember bed light off L1 - White L2 - Blue L3 - Green L4 - Red L5 - Yellow L6 - Purple L7 - Auto-cycle through white, blue, green, red, yellow, and purple. (NOTE: It will take 8.5 seconds to switch between colours.) L8 - Lock to desired color
Flame Control		Controls flame. 8 Settings: 00 - Flame off 01 - Orange flame 02 - Yellow flame 03 - Blue flame 04 - Yellow / orange flame 05 - Orange / blue flame 06 - Yellow / blue flame 07 - Yellow / orange / blue flame
F° / C° Switch		Changes temperature format from Fahrenheit to Celsius or vice versa. Press and hold the Flame button for 5 seconds.
Heater Control		Turns the heater and blower on/off. 4 Settings: H0 - Heater and blower off bL - Blower on H1 - Low heat H2 - High heat
Heater Lock		Heater button can be locked or unlocked by holding the Heater button for 5 seconds.





Power		Turns the appliance on/off.	Ember Bed Color		Controls ember bed light settings. Settings: L0 - Ember bed light off L1 - White L2 - Blue L3 - Green L4 - Red L5 - Yellow L6 - Purple L7 - Auto-cycle through white, blue, green, red, yellow, and purple. (NOTE: It will take 8.5 seconds to switch between colours.) L8 - Lock to desired color
Blue Flame		Controls flame brightness.	Ember Bed Brightness		Controls the brightness of the ember bed light. Settings: b1 - Low b2 - Medium b3 - Bright b4 - Brightest
Orange Flame		Settings: F0 - Flame off F1 - Small flame	Timer		There are 10 timer settings: 00, 30min., 1h, 2h, 3h, 4h, 5h, 6h, 7h, 8h.
Yellow Flame		F2 - Medium flame F3 - Bright flame F4 - Brightest flame	Temperature Control		There are 7 temperature settings: 61°F [16°C], 64°F [18°C], 70°F [21°C], 75°F [24°C], 81°F [27°C], 85°F [29°C], and OFF.
Heater		Turns the heater and blower on/off. Settings: H0 - Heater and blower off bL - Blower on H1 - Low heat H2 - High heat			
Flame Speed		Controls the speed of the flame. There are 5 flame speed settings: 01 (slowest) 02, 03, 04, and 05 (fastest).			
Top Light		The top light colour rotation is the same as the ember bed colour rotation.			

4.3 remote battery installation

! WARNING

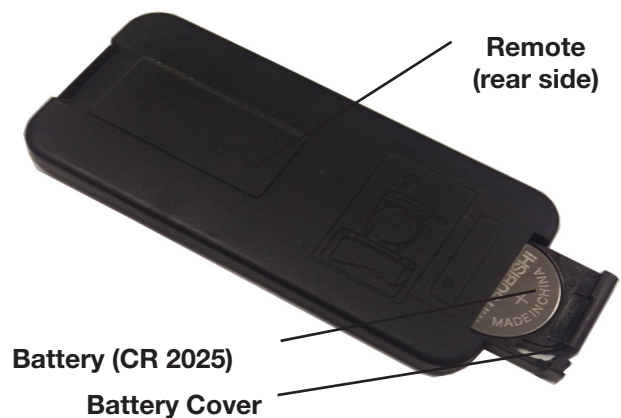
- This remote control requires button batteries that are hazardous to young children.
- WARNING - KEEP BATTERIES OUT OF REACH OF CHILDREN.
- Swallowing may lead to serious injury or death in as little as 2 hours due to chemical burns and potential perforation of the oesophagus.
- If you suspect your child has swallowed or inserted a button battery, immediately seek urgent medical assistance.
- Examine devices and make sure the battery compartment is correctly secured (i.e. that the screw or other mechanical fastener is tightened). Do not use if compartment is not secure.
- Dispose of used button batteries immediately and safely. Flat batteries can still be dangerous.
- Tell others about the risks associated with button batteries and how to keep their children safe.



note:

The remote control has a removable plastic tab to prolong the battery life while shipping. Remove the tab for the remote control to function.

1. To replace the existing battery, remove the battery holder.
2. To remove the battery holder, turn remote onto front side and press the left side lever towards the center while pulling the battery holder out using the slot provided.
3. Replace existing battery, type CR 2025, with a new battery and reinstall the battery holder into the remote by sliding it into position, as shown.
4. Battery cover is secure onto the remote control when a "CLICKING" noise is heard.



note:

The remote control must remain within 5 meters (17 feet) of the appliance to be effective. This range may be reduced when battery power is depleted. The remote control must be aimed at the center of the appliance for it to function most effectively.

5.0 finishing

! WARNING

- Power supply service must be completed prior to finishing in order to avoid reconstruction.
- Heat vents and air openings cannot be covered under any circumstances.

5.1 crystal ember installation

note:

The glass door must be removed and the appliance must be secured in its final location before the crystal embers are installed (see "glass door removal" section).

1. Carefully place the small crystal embers into the bottom media tray (**Fig. 1**).
2. Apply an even layer from side to side.
3. Randomly place the 3 large crystal embers on top of the small crystal embers.



Fig. 1

5.2 birch wood log installation (NEFVC38H only)

note:

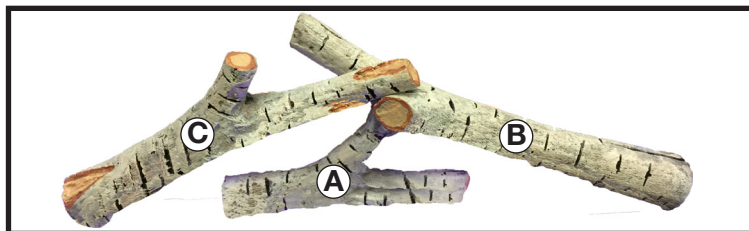
Birch wood logs are included with NEFVC38H models only.

note:

The glass door must be removed and the appliance must be secured in its final location before the birch wood logs are installed into NEFVC38H models only (see "glass door removal" section).

1. Carefully place birch wood logs on the media tray (see below illustration for recommended placement).
2. Use the small crystal embers (see "crystal ember installation" section) to fill in spaces between the birch wood logs. This will improve the overall look of the appliance.

Reference	Log Number
A	W135-0768
B	W135-0770
C	W135-0769



Recommended birch wood log placement (NEFVC38H only)

5.3 glass door installation

! WARNING

- Facing and/or finishing material must not interfere with air flow through air openings, louvre openings, operation of louvres or doors, or access for service. Observe all clearances when applying combustible materials.
- Before the door is removed, turn the appliance off and wait until the appliance is cool to the touch. Doors are heavy and fragile, so handle with care.

1. Remove the bracket from the top of the firebox by removing the 4 screws (**Fig. 1**).

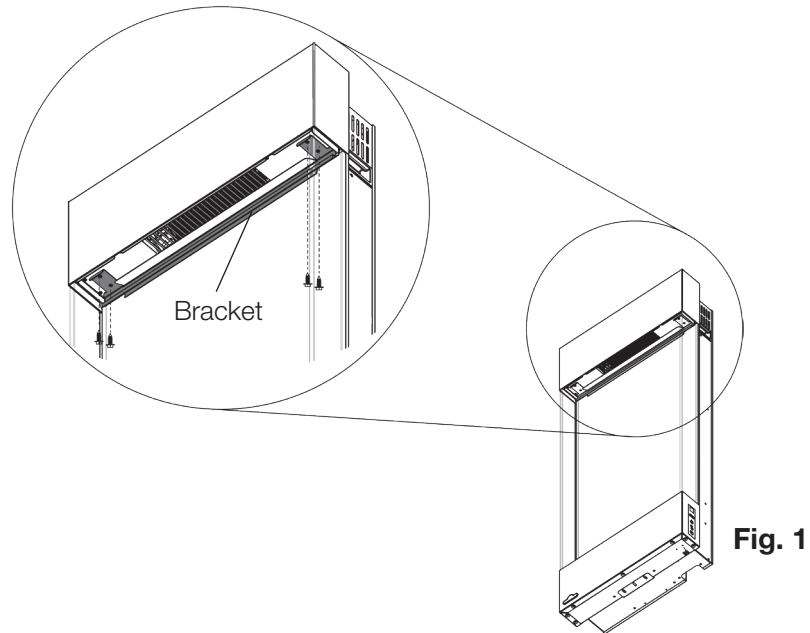


Fig. 1

2. Place the glass bottom into the appliance holding bracket located inside the firebox (**Fig. 2**), and then lean the glass against the back of the firebox.
3. Using the 4 screws previously removed in Step 1, re-secure the bracket to the top of the firebox. Ensure the bracket hooks face towards the front of the appliance (**Fig. 1**).

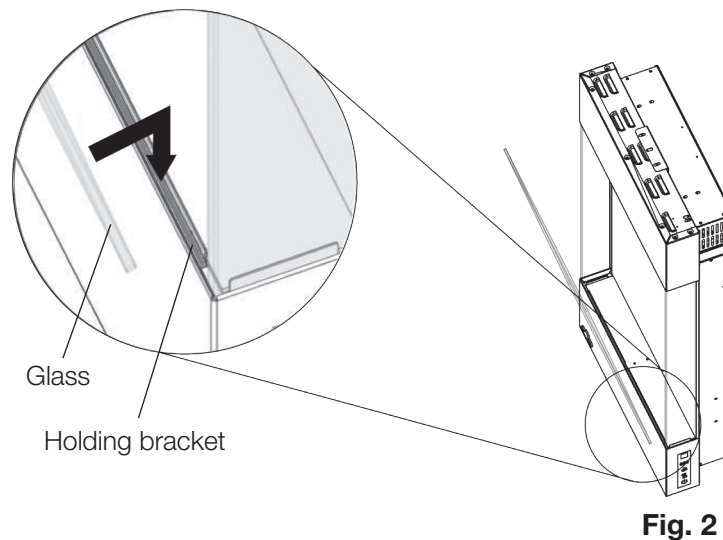
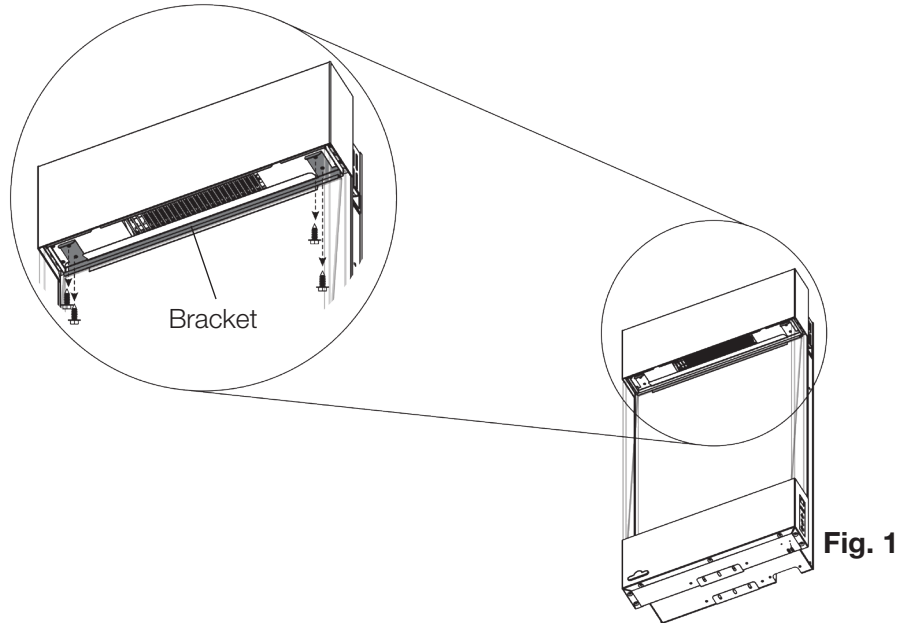


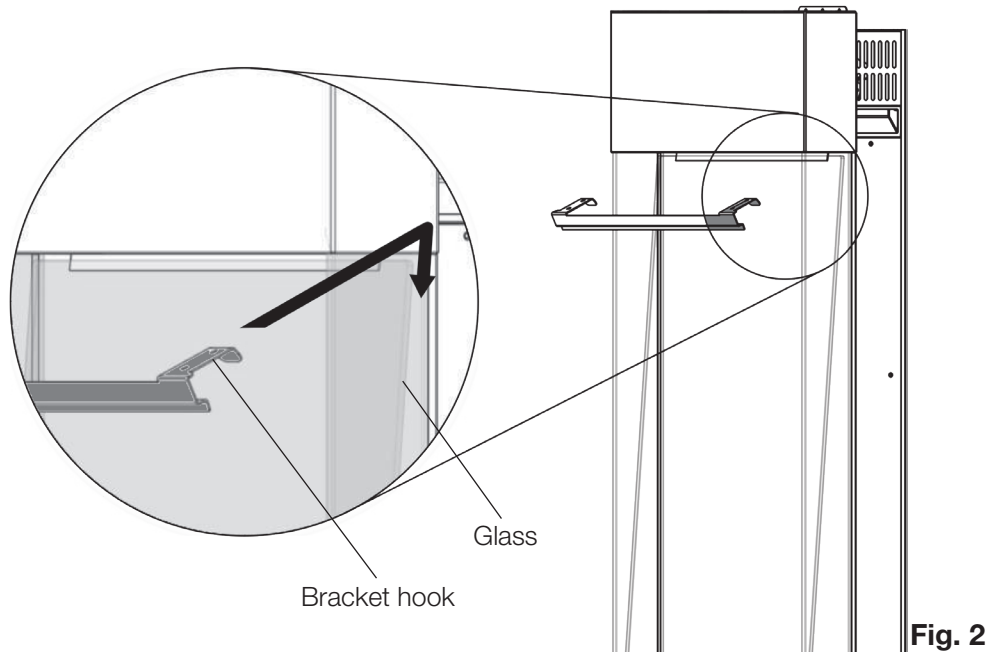
Fig. 2

5.4 glass door removal

1. Remove the bracket from the top of the firebox by removing the 4 screws (**Fig. 1**). Set the screws aside; keep the bracket on-hand for Step 2.



2. For ease of removal, use the bracket hooks to reach behind the glass and pull it forward (**Fig. 2**), then remove the glass and place it on a soft non-abrasive surface.



! WARNING

- Failure to position the parts in accordance with this manual or failure to use only parts specifically approved with this appliance may result in property damage or personal injury.

Contact your dealer for questions concerning prices and policies on replacement parts. Normally, all parts can be ordered through your Authorized dealer / distributor.

For warranty replacement parts, a photocopy of the original invoice will be required to honour the claim.

When ordering replacement parts always give the following information:

- Model & Serial Number of appliance
- Installation date of appliance
- Part number
- Description of part
- Finish

Parts, part numbers, and availability are subject to change without notice.

Parts identified as stocked will be delivered within 2 to 5 business days for most delivery destinations.

Parts not identified as stocked will be delivered within a 2 to 4 week period, for most cases.

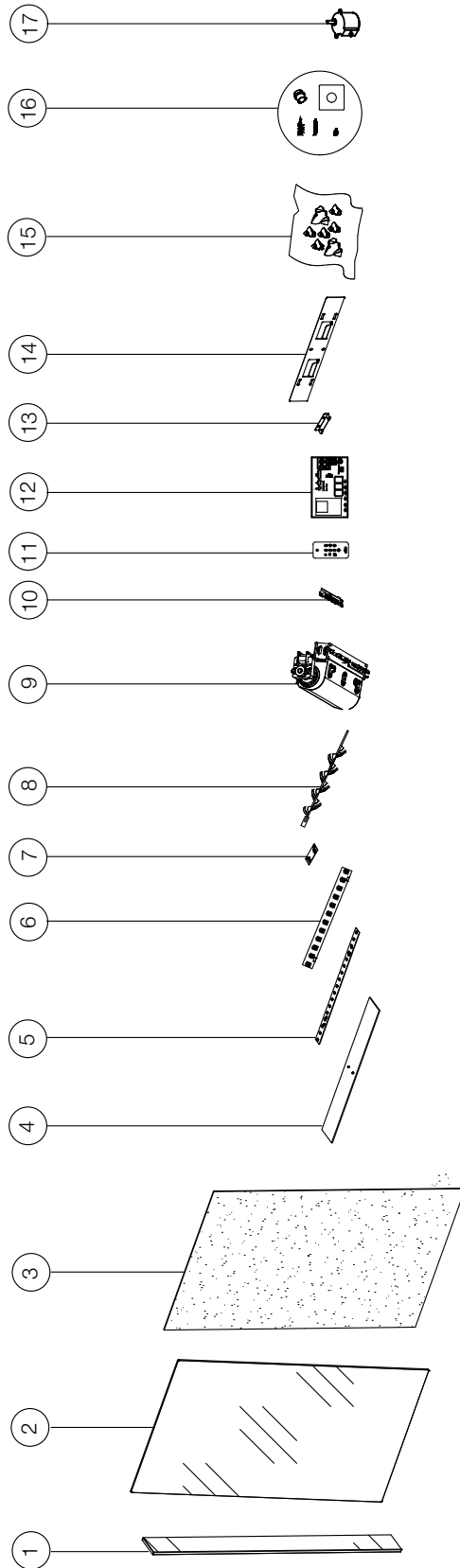
Parts identified as 'SO' are special order and can take up to 90 days for delivery.

For after sales service, please call 1-866-820-8686.

6.1 NEFVC32H overview

note:

Care must be taken when removing and disposing of any broken glass or damaged components. Be sure to vacuum up any broken glass from inside the appliance before operation.



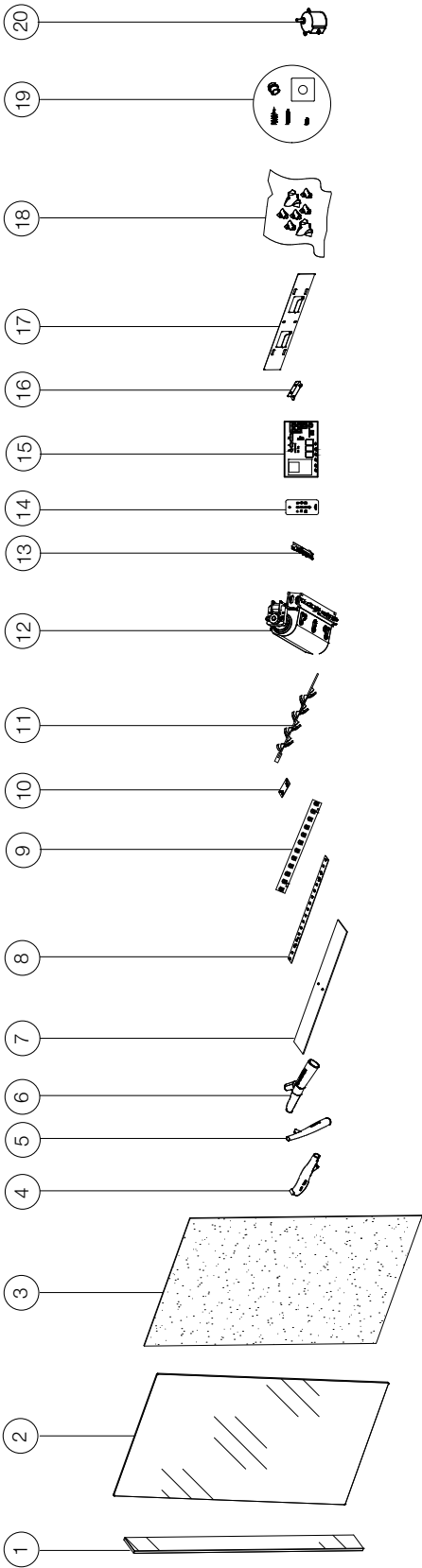
Items may not appear exactly as illustrated.

Ref. No.	Part No.	Description	Stocked	Ref. No.	Part No.	Description	Stocked
1	W300-0285-SER	Side glass	Yes	9	W010-4397-SER	Heater and blower assembly	Yes
2	W300-0287-SER	Front glass	Yes	10	W475-1593-SER	Control panel	Yes
3	W475-1591-SER	Acrylic plastic panel	Yes	11	W190-0136-SER	Remote control	Yes
4	W497-0050-SER	Plastic strips	Yes	12	W190-0137-SER	Main PCB control	Yes
5	W405-0069-SER	Ember LED light	Yes	13	W080-1890-SER	Top/bottom wall bracket	Yes
6	W405-0068-SER	Flame LED light	Yes	14	W080-1889-SER	Rear wall bracket	Yes
7	W405-0070-SER	Top LED light	Yes	15	W497-0049-SER	Crystals	Yes
8	W527-0031-SER	Reflector spindle	Yes	16	W370-0146	Hardware kit	Yes
				17	W435-0088-SER	Step motor	Yes

6.2 NEFVC38H overview

note:

Care must be taken when removing and disposing of any broken glass or damaged components. Be sure to vacuum up any broken glass from inside the appliance before operation.



Items may not appear exactly as illustrated.

Ref. No.	Part No.	Description	Stocked
1	W300-0286-SER	Side glass	Yes
2	W300-0288-SER	Front glass	Yes
3	W475-1592-SER	Acrylic plastic panel	Yes
4	W135-0768	Base log	Yes
5	W135-0769	Left log	Yes
6	W135-0770	Right log	Yes
7	W497-0050-SER	Plastic strip	Yes
8	W405-0069-SER	Ember LED light	Yes
9	W405-0068-SER	Flame LED light	Yes
10	W405-0070-SER	Top LED light	Yes
11	W527-0031-SER	Reflector spindle	Yes
12	W010-4397-SER	Heater and blower assembly	Yes
13	W475-1593-SER	Control panel	Yes
14	W190-0136-SER	Remote control	Yes
15	W190-0137-SER	Main PCB board	Yes
16	W080-1890-SER	Top/bottom wall bracket	Yes
17	W080-1889-SER	Rear wall bracket	Yes
18	W497-0049-SER	Crystals	Yes
19	W370-0146-SER	Hardware kit	Yes
20	W435-0088-SER	Step motor	Yes

7.0 troubleshooting

WARNING

- Turn off the appliance completely and let cool before servicing. Only a qualified service person should service and repair this electric appliance.

symptom	problem	solution
Dim or no flame.	Flame brightness not selected.	See “operation” section.
	Flame LEDs are burnt out.	Inspect the LED and replace, if necessary.
	Main PCB board is burnt out.	Inspect the main PCV board and replace, if necessary.
Ember bed is not glowing or dimming.	Brightness not selected.	See “operation” section.
	Ember LEDs are burnt out.	Inspect the ember bed LEDs and replace, if necessary.
	Main PCB board is burnt out.	Inspect the main PCV board and replace, if necessary.
No warm air coming out of the appliance.	Heater setting not selected.	See “operation” section.
	Heater has been locked out.	See “operation” section.
	Room temperature is higher than appliance setting (if set to room temperature).	Reset temperature setting.
	Appliance has overheated and safety thermal switch has tripped.	Unplug power or turn off the circuit breaker. Allow for appliance to cool for 15 minutes.
	Heater is burnt out.	Inspect the blower and heater and replace, if necessary.
Appliance turns off and will not turn on.	House circuit breaker has tripped.	Reset house circuit breaker.
	Appliance’s fuse has blown.	Replace the fuse.
	Appliance has overheated and safety thermal switch has tripped.	Unplug power or turn off the circuit breaker, allow appliance to cool for 15 minutes to reset the thermal switch, then plug in the appliance or turn the breaker on.
Appliance will not come on when power button/ switch is put into the “on” position.	Appliance is not plugged into an electrical outlet.	Check plug, and plug in the appliance if necessary.
	Hard wire connections are not correct (if applicable).	See “hard-wiring installation” section.
	Appliance has overheated and safety thermal switch has tripped.	Unplug power or turn off the circuit breaker, allow appliance to cool for 15 minutes, then plug in the appliance or turn the breaker on.
	Circuit board is burnt out.	Inspect the circuit board and replace, if necessary.
Remote control does not work.	Low/dead batteries.	Replace batteries in remote control.
	Remote receiver malfunction.	Ensure remote receiver is not blocked. Replace control panel.
Heater shuts off automatically.	Room is too warm.	The heater has a built-in thermostat so it will shut off automatically once the pre-set temperature is reached. It will also turn on automatically if the room temperature drops below the pre-set temperature.
Flame does not move.	Motor is stalled/malfunctioning.	Cycle on/off. If problem persists, consult dealer.
Power failure.	Appliance has returned to default settings.	Re-program appliance to original settings (not applicable with all appliances).
LED flashing.	Appliance has overheated and safety thermal switch has tripped.	Unplug power or turn off the circuit breaker. Allow appliance to cool for 15 minutes, then plug in the appliance or turn the breaker on.

Napoleon electric appliances are manufactured under the strict Standard of the world recognized ISO 9001 : 2015 Quality Management System.

Napoleon products are designed with superior components and materials and assembled by trained craftsmen who take great pride in their work. Once assembled, the complete appliance is thoroughly inspected by a qualified and authorized installer, service agency, or supplier before packing to ensure that you, the customer, receive the quality product that you expect from **Napoleon**.

Napoleon Electric Appliance Limited Warranty

Electrical components and wearable parts are covered and **Napoleon** will provide replacement parts free of charge during the first year of limited warranty. This covers: fan/heaters, motors, switches, nylon bearing components, remote controls, and LED lights.*

Light bulbs and fuses are NOT covered by the warranty.

Any labour related to warranty repair is not covered.

* Construction of models vary. Warranty applies only to components included with your specific appliance.

Conditions and Limitations

Napoleon warrants its products against manufacturing defects to the original purchaser only. Registering your warranty is not necessary. Simply provide your proof of purchase along with the model and serial number to make a warranty claim. Provided that the purchase was made through an authorized **Napoleon** dealer, your appliance is subject to the following conditions and limitations:

Warranty coverage begins on the date of original installation.

This factory warranty is non-transferable and may not be extended whatsoever by any of our representatives.

Installation must be done in accordance with the installation instructions included with the product and all local and national building and fire codes.

This limited warranty does not cover damages caused by misuse, lack of maintenance, accident, alterations, abuse, or neglect and parts installed from other manufacturers will nullify this warranty.

This limited warranty further does not cover any scratches, dents, corrosion, or discolouring caused by excessive heat, abrasive and chemical cleaners, nor chipping on porcelain enamel parts, mechanical breakage of PHAZER™ logs.

In the first year only, this warranty extends to the repair or replacement of warranted parts which are defective in material or workmanship, provided that the product has been operated in accordance with the operation instructions and under normal conditions.

Napoleon will not be responsible for installation, labour, or any other expenses related to the reinstallation of a warranted part, and such expenses are not covered by this warranty. Notwithstanding any provisions contained in the Limited Warranty, **Napoleon** responsibility under this warranty is defined as above, and it shall not in any event extend to any incidental, consequential, or indirect damages.

This warranty defines the obligations and liability of **Napoleon** with respect to the **Napoleon** electric appliance and any other warranties expressed or implied with respect to this product; its components or accessories are excluded.

Napoleon neither assumes, nor authorizes any third party to assume, on its behalf, any other liabilities with respect to the sale of this product.

Any damages to appliance, brass trim or other component due to water, weather damage, long periods of dampness, condensation, damaging chemicals, or cleaners will not be the responsibility of **Napoleon**.

Napoleon reserves the right to have its representative inspect any product or part thereof prior to honouring any warranty claim.

All parts replaced under the Limited Warranty Policy are subject to a single claim.

All parts replaced under the warranty will be covered for a period of 90 days from the date of their installation.

The manufacturer may require that defective parts or products be returned or that digital pictures be provided to support the claim. Returned products are to be shipped prepaid to the manufacturer for investigation. If a product is found to be defective, the manufacturer will repair or replace such defect.

Before shipping your appliance or defective components, your dealer must obtain an authorization number. Any merchandise shipped without authorization will be refused and returned to sender.

Shipping costs are not covered under this warranty.

Additional service fees may apply if you are seeking warranty service from a dealer.

All specifications and designed are subject to change without prior notice due to on-going product improvements. **Napoleon** is a registered trademark of Wolf Steel Ltd.

NAPOLEON CELEBRATING OVER 40 YEARS OF HOME COMFORT PRODUCTS



7200, Route Transcanadienne, Montréal, Québec H4T 1A3
24 Napoleon Road, Barrie, Ontario, Canada L4M 0G8
214 Bayview Drive, Barrie, Ontario, Canada L4N 4Y8
103 Miller Drive, Crittenden, Kentucky, USA 41030

Phone: 1-866-820-8686
napoleonproducts.com

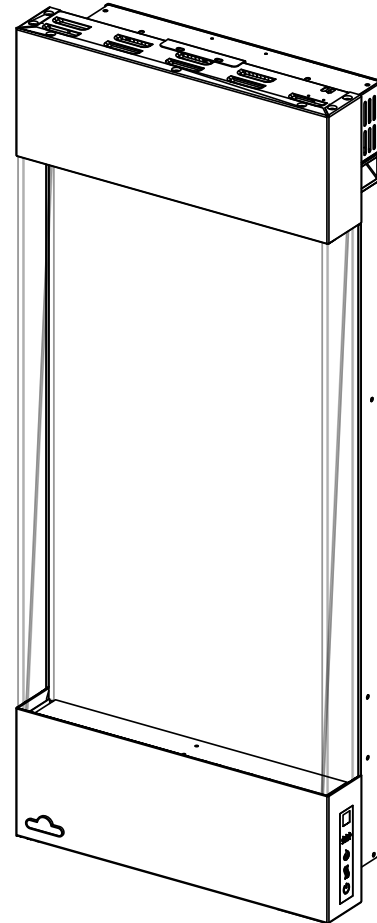


MANUEL D'INSTALLATION ET D'OPÉRATION

Série Allure^{MD} Verticale
(NEFVC38H Illustrée)



Cet appareil dispose d'une télécommande qui nécessite des piles à bouton qui sont dangereuses pour les jeunes enfants.



CONSIGNES DE SÉCURITÉ

⚠ AVERTISSEMENT

RISQUE D'INCENDIE OU D'EXPLOSION

Si ces instructions ne sont pas suivies à la lettre, un incendie pourrait s'ensuivre causant des dommages matériels, des blessures corporelles ou des pertes de vie.

- N'entreposez pas et n'utilisez pas d'essence ou autres liquides et vapeurs inflammables à proximité de cet appareil ou tout autre appareil.

INSTALLATEUR:

Laissez ce manuel avec l'appareil

PROPRIÉTAIRE:

Conservez ce manuel pour consultation ultérieure.

POUR L'UTILISATION INTÉRIEUR SEULEMENT

CERTIFIÉ SELON LES NORMES NATIONALES CANADIENNES ET AMÉRICAINES:
CSA 22.2 NO. 46 / UL 2021



Wolf Steel Ltd., 24 Napoleon Rd., Barrie, ON, L4M 0G8 Canada / 103 Miller Drive, Crittenden, Kentucky, USA, 41030
Téléphone 1 (866) 826 8686 • www.napoleonfoyers.com • hearth@napoleonproducts.com

AVERTISSEMENT

- **Si équipé avec un chauffage, cet appareil peut être chaud lorsqu'il fonctionne et peut causer de graves brûlures en cas de contact.**
- Ne faites pas fonctionner l'appareil avant d'avoir lu et compris les instructions d'utilisation. L'incapacité de respecter les instructions pourrait causer un incendie ou des blessures corporelles.
- N'installez pas de composants endommagés ou incomplets, ni des composants de substitution.
- Ne brûlez pas de bois ou autres matériaux dans cet appareil.
- Tous les appareils électriques contiennent des composants internes qui deviennent chauds et qui produisent des étincelles. N'utilisez pas cet appareil dans des endroits où de l'essence, des peintures ou d'autres liquides inflammables sont présents.
- Les grillages de sécurités ou écrans enlevés pour faire l'entretien devront être remis en place avant d'utiliser l'appareil.
- Il est primordial de garder propres les compartiments de contrôle, les brûleurs, la soufflerie, les bouches d'air de l'appareil ainsi que le système d'évacuation. L'appareil et son système d'évacuation doivent être inspectés avant la première utilisation et au moins une fois l'an par un spécialiste en entretien. Un entretien plus fréquent pourrait être nécessaire en raison des peluches provenant des tapis, literie, etc. L'emplacement de l'appareil doit être gardé libre de tous matériaux combustibles, essence ou autres liquides et vapeurs inflammables.
- Cet appareil ne devra être modifié en aucun cas.
- N'utilisez pas cet appareil si une partie quelconque a été submergée. Contactez immédiatement un technicien de service qualifié pour inspecter l'appareil et pour remplacer toute pièce du système de contrôle qui aurait été submergée.
- Si équipé avec une porte vitrée, n'opérer pas l'appareil lorsque la porte vitrée est enlevée, fissurée ou brisée. Le remplacement de la vitre devra être effectué par un technicien de service certifié ou qualifié.
- Si équipé avec un porte vitrée, ne frappez pas et ne claquez pas la porte vitrée de l'appareil.
- Les matériaux d'emballage doivent être gardés hors de la portée des enfants et mis au rebut de façon sécuritaire. Comme tous les emballages de plastique, ceux-ci ne sont pas des jouets et doivent demeurer hors de la portée des enfants et des bébés.
- L'entretien ne doit être effectué que lorsque l'appareil est débranché du circuit électrique.
- Débranchez toujours l'appareil lorsqu'il n'est pas utilisé.
- N'utilisez pas l'appareil si le cordon d'alimentation ou la fiche sont endommagés, s'il ne fonctionne pas bien, ou s'il a été échappé ou endommagé d'une quelconque façon. Retournez l'appareil à un centre de service autorisé pour une inspection, des ajustements électriques ou mécaniques ou une réparation.
- N'utilisez pas cet appareil à l'extérieur.
- Lorsque vous installez cet appareil dans une pièce où l'eau est présente, l'installation doit se conformer aux codes reconnaissant le risque accru de décharge électrique et d'électrocution.

note:

Cet appareil PEUT être installé dans une salle de bain.

- Ne passez pas le cordon d'alimentation sous un tapis. Ne recouvrez pas le cordon avec des carpettes, des tapis de couloir ou autres revêtements similaires. Évitez de placer le cordon dans un endroit passant ou à un endroit où il risque de causer des chutes.
- Branchez seulement dans une prise de courant adéquatement mise à la terre.
- N'insérez pas d'objets dans les ouvertures d'entrée d'air ou de sortie d'air puisque cela risque d'endommager l'appareil ou causer des chocs électriques ou un incendie.
- Il est normal que votre appareil électrique produise du bruit, surtout s'il est installé dans un endroit calme comme un chambre à coucher.

AVERTISSEMENT

- Pour prévenir les risques d'incendie, ne bloquez pas les entrées d'air et les sorties d'air de quelque manière que ce soit. Ne placez pas cet appareil sur une surface molle telle qu'un tapis où les ouvertures pourraient se bloquer.
- Toujours brancher l'appareil directement dans une prise murale. N'utilisez pas de cordons d'alimentation ou une robinet d'alimentation relogeables (alimentation/multiprise).
- Cet appareil a été testé et homologué pour usage avec les accessoires optionnels listés dans ce manuel uniquement. L'utilisation d'accessoires optionnels qui n'ont pas été spécifiquement testés pour cet appareil électrique annulera la garantie de l'appareil et/ou présentera des risques pour la sécurité.

Pour les appareil équipé avec chauffage:

- Risque de brûlures. L'appareil doit être éteint et refroidi avant d'effectuer l'entretien. Pour débrancher l'appareil, mettez d'abord les boutons de contrôle à « OFF » puis retirez la fiche de la prise de courant.
- Les jeunes enfants doivent être supervisés attentivement lorsqu'ils sont dans la même pièce que l'appareil recommandés s'il y a dans la maison des individus à risque. Les jeunes enfants et autres personnes sont sujets aux brûlures accidentelles. Une barrière de protection est recommandée s'il y a dans la maison des individus à risque. Afin de restreindre l'accès à l'appareil, installez une barrière de protection ajustable pour garder les jeunes enfants ou autres personnes à risque hors de la pièce et loin des surfaces chaudes.
- Les vêtements et autres matériaux combustibles ne doivent pas être posés sur l'appareil ou à proximité.
- En raison des températures élevées, l'appareil devrait être placé loin des endroits passants et loin des meubles et des rideaux.
- Assurez-vous de disposer de mesures de sécurité adéquates pour empêcher les jeunes enfants de toucher aux surfaces chaudes.
- Même lorsque l'appareil est éteint, la porte et l'écran de meureront chauds pendant un bon moment.
- Consultez votre détaillant local de foyer pour connaître les grillages de sécurité et les écrans offerts pour protéger les enfants des surfaces chaudes. Ces grillages de sécurité et ces écrans doivent être fixés au plancher.
- Assurez-vous de respecter les dégagements aux matériaux combustibles lorsque vous installez un manteau ou des tablettes au-dessus de l'appareil. Les téléviseurs et autres composants électroniques sournis à des températures élevées peuvent fondre, se déformer, se décolorer et entraîner des défaillances prématurées de ces appareils.

 AVERTISSEMENT: Ce produit peut vous exposer à des substances chimiques incluant le plomb et les composés de plomb qui, selon l'État de Californie, causeraient le cancer, et des substances chimiques incluant le BBP et DEHP qui, selon d'État de Californie, causeraient des malformations congénitales ou autres dangers pour la reproduction. Pour de plus amples renseignements, visitez le www.P65Warnings.ca.gov.

table de matières

FR

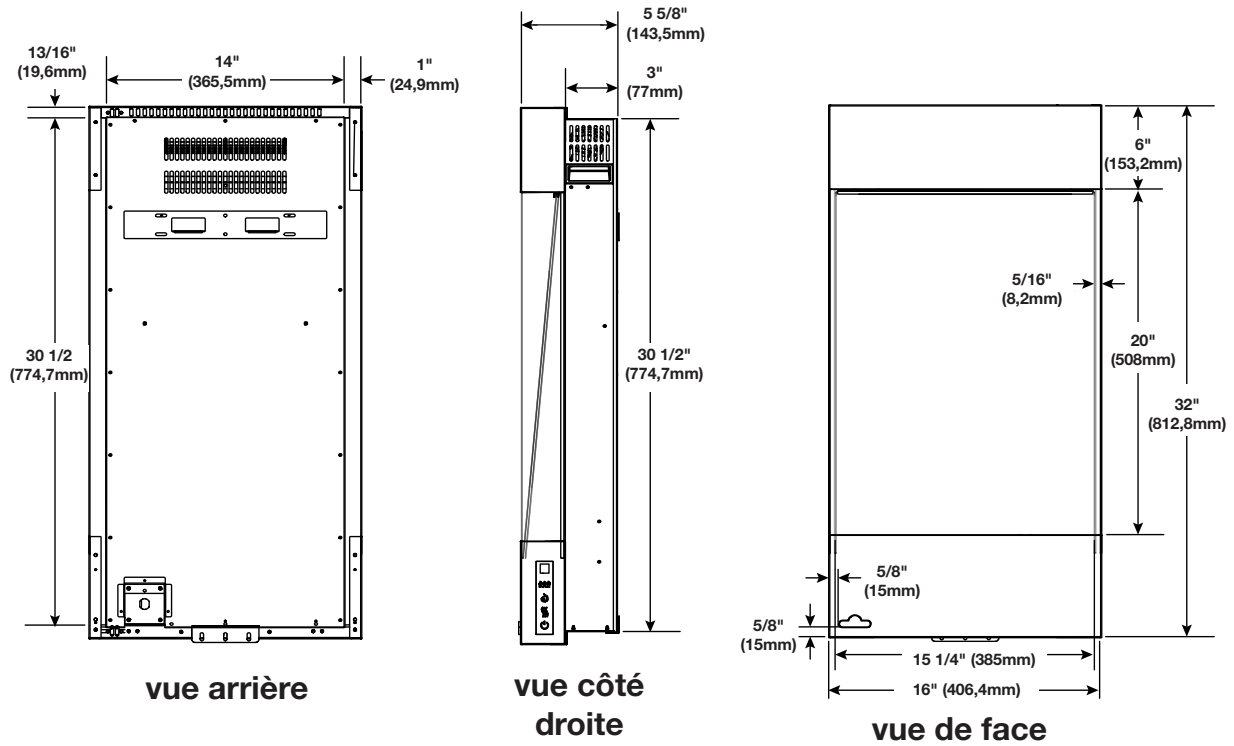
1.0	information générales	33
1.1	dimensions	33
1.2	homologations	34
1.3	instructions générales	34
1.4	déballage et vérification de l'appareil	34
1.5	plaque d'homologation	35
1.6	emplacement de l'étiquette	36
1.7	liste des pièces	36
2.0	installation	37
2.1	emplacement de l'appareil	37
2.2	mise à la terre de l'appareil	38
2.3	dégagements minimaux aux matériaux combustibles	38
2.4	dégagements minimaux de la tablette	38
2.5	installation de l'appareil sur le mur	39
2.6	encastrer l'appareil dans le mur	42
3.0	information électrique	43
3.1	schéma de câblage	43
3.2	branchement par câble	44
4.0	instructions de fonctionnement	45
4.1	utilisation du panneau de commande	45
4.2	utilisation de la télécommande	46
4.3	installation de la batterie de la télécommande	47
5.0	finitions	48
5.1	installation de braise en cristal	48
5.2	installation des bûches de bouleau (NEFVC38H seulement)	48
5.3	installation du verre avant	49
5.4	enlèvement du verre avant	50
6.0	pièces de rechanges	51
6.1	vue d'ensemble NEFVC32H	52
6.2	vue d'ensemble NEFVC38H	53
7.0	guide de dépannage	54
8.0	garantie	56
9.0	notes	57

note:

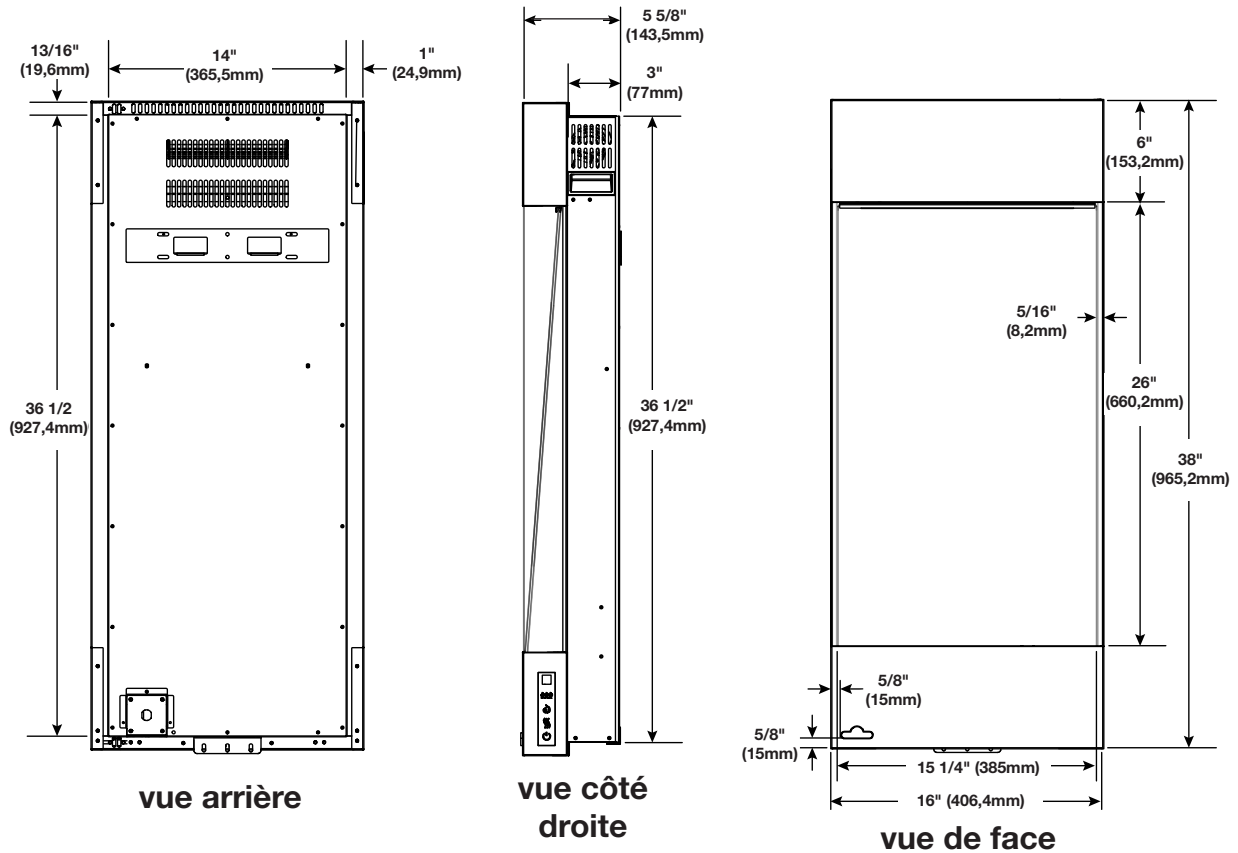
L'information contenue dans ce manuel est jugée correcte au moment de l'impression. Wolf Steel Ltd. se réserve le droit de modifier toute information contenue dans ce manuel à tout moment sans préavis. Les modifications, autres que les éditoriaux, sont désignées par une ligne verticale dans la marge.

1.1 dimensions

NEFVC32H Illustrée



NEFVC38H Illustrée



information générales

FR

1.2 homologations

No. de Modèle	NEFVC32H	NEFVC38H
Description	Appareil électrique vertical contemporain de 32"	Appareil électrique vertical contemporain de 38"
Tension	120V AC	120V AC
Puissance	Max 1500W	Max 1500W
Ampères	15 AMP circuit mis à la terre	15 AMP circuit mis à la terre
Largeur	16" (406mm)	16" (406mm)
Hauteur	32" (812.8mm)	38" (965.2mm)
Profondeur	5 5/8" (144mm)	5 5/8" (144mm)
Poids Net	25lbs (11,2kg)	28,2lbs (12,8kg)
Poids Brut	33lbs (15kg)	38,5lbs (17,5kg)

Cet appareil a été testé selon les normes CSA pour les appareils électriques installés de façon permanente aux États-Unis et au Canada. Si vous avez besoin d'assistance durant l'installation, veuillez contacter votre détaillant local.

note:

Cet appareil doit être raccordé électriquement et mis à la terre selon les codes locaux ou, en l'absence de tels codes, avec le National Electric Code ANSI/NFPA 70 (la dernière édition) aux États-Unis ou le Code Canadien de l'Électricité CSA C22.1 au Canada.

1.3 instructions générales

- Avant de brancher votre appareil dans une prise de courant, vérifiez si le disjoncteur de la maison pour ce circuit est allumé.
- Il est possible que l'appareil dégage une légère odeur inoffensive lors de la première utilisation. Cela est une condition normale causée par le chauffage initial des éléments de l'appareil. Elle ne se reproduira plus.
- Si votre appareil n'émet pas de chaleur lorsqu'il est sollicité, consultez la section « fonctionnement » de ce manuel pour de plus amples renseignements.
- Utilisez avec un limiteur de surtension certifié CSA ou UL.
- Ne faites pas passer le cordon d'alimentation directement sous l'appareil.

Cet appareil électrique répond aux normes de construction et de sécurité du H.U.D. pour des applications dans des maisons préfabriquées lorsque installé selon ces instructions.

Comme avec la plupart des appareils électroniques, votre nouveau appareil électrique a été conçu pour fonctionner à des températures comprises entre 5°C (41°F) et 35°C (95°F). Pendant les mois froids de l'hiver, la cheminée permet d'atteindre la température ambiante avant de l'allumer.

1.4 déballage et vérification de l'appareil

Retirez soigneusement l'appareil de boîte et enlevez les supports l'avant d'installation. Avant d'installer l'appareil, retirez tous les emballages et matériels et assurez-vous qu'il fonctionne bien en branchant le cordon d'alimentation dans une prise de courant mise à la terre de 120V, 15 Amp.



Les piles doivent être mises au rebut conformément aux lois et à la réglementation locales. Certaines piles peuvent être recyclées dans votre centre de recyclage local. Renseignez-vous auprès de votre municipalité au sujet des directives de recyclage.

1.5 plaque d'homologation

CERTIFIED UNDER CANADIAN AND AMERICAN NATIONAL STANDARD: CSA 22.2 NO. 46 AND UL 2021 / HOMOLOGUÉ SELON LES NORMES NATIONALES CANADIENNES ET AMÉRICAINES: CSA 22.2 NO. 46 UL 2021	
ELECTRIC FIREPLACE. SUITABLE FOR BEDROOM AND BED-SITTING ROOM INSTALLATION.	Foyer à Électrique. Homologué pour installation dans une chambre à coucher et un studio.
	
MASTER CONTRACT: 161746	CONTRAT-CADRE: 161746
C US	
MODÈLE / MODÈLE:	
<input type="checkbox"/> NEFVC32H	<input type="checkbox"/> NEFVC38H
VOLTAGE: 120 VAC	TENSION: 120VCA
FREQUENCY: 60Hz	FRÉQUENCE: 60Hz
POWER: 1500W	PUISSANCE: 1500W
DATE CODE:	CODE DE DATE:
DESIGNED IN NORTH AMERICA BY WOLF STEEL LTD.	DÉSIGNÉ AMÉRIQUE DU NORD PAR WOLF STEEL LTD.
MADE IN CHINA	FABRIQUÉ EN CHINE
WOLF STEEL LTD. 24 NAPOLEON ROAD, BARRIE, ON, L4M 0G8 CANADA	SERIAL NUMBER/NO. DE SÉRIE: NEFVC
	W385-2313 / A

Pour l'emplacement de la plaque d'homologation, voir la section « emplacement de l'étiquette ».

Cette illustration est à titre référence seulement. Consultez la plaque d'homologation pour obtenir l'information précise.

note:

La plaque d'homologation doit rester avec l'appareil en tout les temps. Il ne doit pas être enlevé.

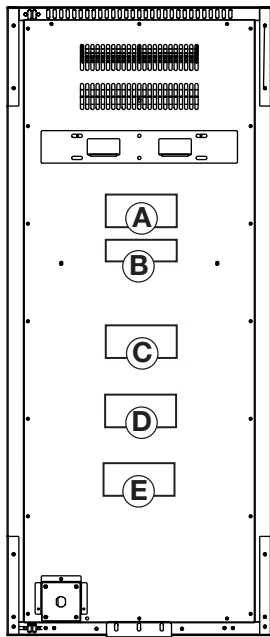
information générales

FR

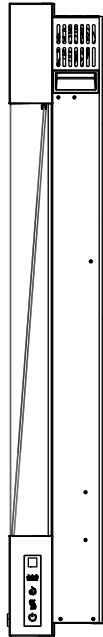
1.6 emplacement de l'étiquette

note:

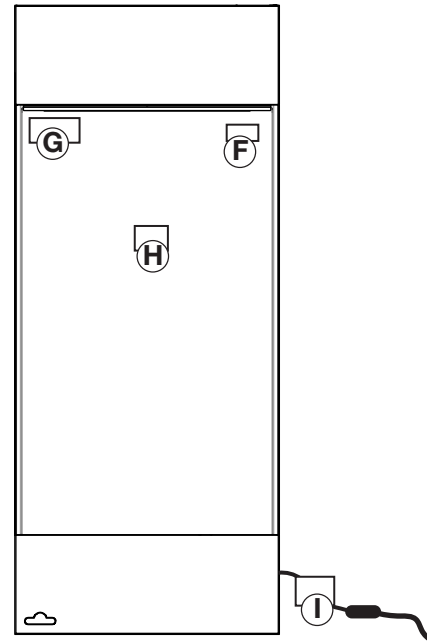
L'emplacement des étiquettes peut différer quelque peu de l'illustration.



VUE ARRIÈRE



VUE CÔTÉ DROITE

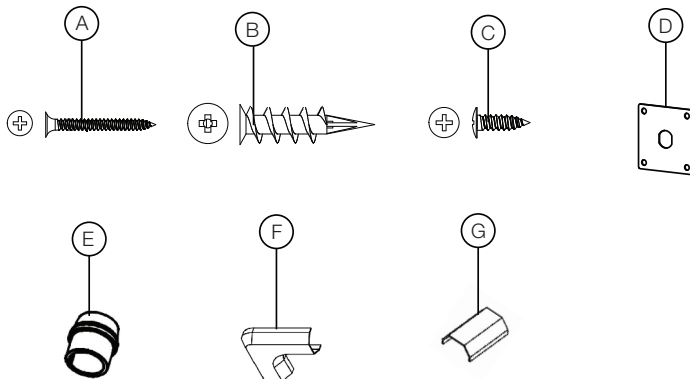


VUE DE FACE

Réf.	No. de pièce	Description
A	W385-2313	Plaque d'homologation
B	W385-2163	L'étiquette d'avertissement
C	W385-2167	L'étiquette d'avertissement
D	W385-2315	L'étiquette de schéma de câblage
E	W385-2003	L'étiquette de brachement par câble

Réf.	No. de pièce	Description
F	W385-1946	L'étiquette « Ne pas couvrir »
G	W385-2017	L'étiquette « Surface chaude »
H	W385-2316	L'étiquette indiquant la télécommande (NOTE: Retirez après la première utilisation.)
I	W385-1943	L'étiquette d'avertissement

1.7 liste des pièces



	Description	Quantité
A	Vis à bois	6
B	Ancres de cloisons sèches	6
C	ST4x12 vis métalliques	8
D	Plaque de couverture	1
E	Soulagement des contraintes	1
F	Coin de cordon	2
G	Couverture de cordon	2

AVERTISSEMENT

- Risque d'incendie! Le cordon d'alimentation ne doit pas être coincé contre une arrête vive. Fixez le cordon pour éviter les chutes ou les accrochages afin de réduire le risque d'incendie, de choc électrique ou de blessures corporelles. Ne passez pas le cordon d'alimentation sous un tapis. Ne recouvrez pas le cordon avec des carpettes, des tapis de couloir ou autres revêtements similaires. Évitez de placer le cordon dans un endroit passant ou à un endroit où il risque de causer des chutes.
- Risque d'incendie! Pour prévenir les risques d'incendie, ne bloquez pas les entrées d'air et les sorties d'air de quelque manière que ce soit. Ne placez pas cet appareil sur une surface molle où les ouvertures pourraient se bloquer.
- Risque d'incendie! Ne soufflez pas ou ne placez pas d'isolant contre l'appareil.
- Cet appareil électrique a été testé et homologué pour usage avec les accessoires optionnels listés dans ce manuel uniquement. L'utilisation d'accessoires optionnels qui n'ont pas été spécifiquement testés pour cet appareil électrique annulera la garantie de l'appareil et/ou présentera des risques pour la sécurité.
- Si ces instructions ne sont pas suivies à la lettre, un incendie ou une explosion pourraient s'ensuivre, causant des dommages matériels, des blessures corporelles ou des pertes de vie. N'entrez pas et n'utilisez pas d'essence ou autres vapeurs inflammables à proximité de cet appareil ou tout autre appareil.
- Étant donné la lourdeur de cet appareil, il est recommandé que deux personnes en fassent l'installation.
- Si votre appareil est équipé avec chauffage, assurez-vous que les ouvertures de la chauffage ne peut pas, dans aucune façon, être recouverts car il peut provoquer un incendie.
- N'exécutez pas le cordon d'alimentation horizontalement, directement en dessous de l'appareil.

Votre appareil est un appareil installé sur le mur, encastré et/ou aménagé. Sélectionnez un endroit approprié qui ne soit pas susceptible d'être humide et qu'il soit éloigné des rideaux, des meubles, et des zones à fort trafic.

note:

Suivez tous les codes électriques nationaux et locaux.

2.1 emplacement de l'appareil

AVERTISSEMENT

- En raison des températures élevées, l'appareil devrait être placé loin des endroits passants. Gardez tous les articles combustibles tels que les meubles, les oreillers, la literie, le papier, les vêtements, et les rideaux à une distance d'au moins 36" (91,4cm) de la façade de l'appareil.
- Ne placez jamais l'appareil électrique à un endroit où il risque de tomber dans une baignoire ou tout autre réservoir contenant de l'eau.
- Portez les gants de protection et des lunettes de sécurité lors de l'installation et de l'entretien.
- Afin d'éviter tout contact avec de l'isolant que s'affaïse, l'appareil électrique ne doit pas être installé contre un coupe-vapeur ou de l'isolant à découvert. Une surchauffe localisée peut survenir et un incendie pourrait s'ensuivre.
- L'appareil électrique ne doit pas être exposé aux conditions extérieures (par ex. la pluie).

installation

FR

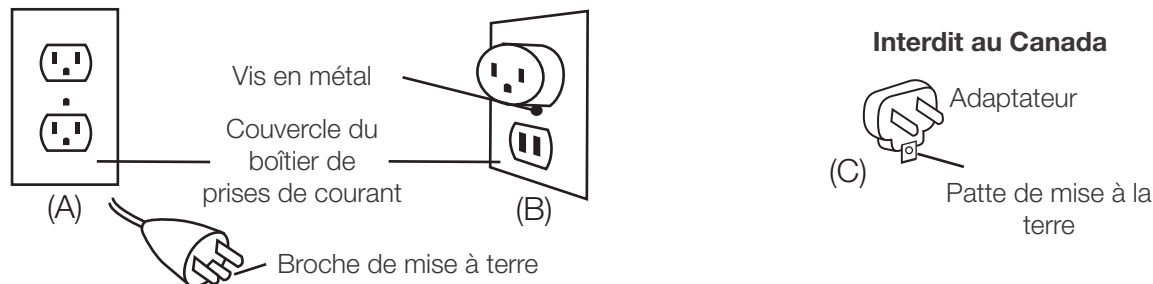
2.2 mise à la terre de l'appareil

Cet appareil doit être branché sur un circuit de 120 volts. Son cordon d'alimentation est équipé d'une fiche comme illustré en (A) ci-contre. Un adaptateur, tel qu'illustré en (C), est disponible pour brancher des fiches à trois branches avec mise à la terre dans des prises à deux fentes, tel qu'illustré en (B).

La patte verte de mise à la terre de l'adaptateur doit être branchée dans une prise de courant mise à la terre de façon permanente telle qu'un boîtier de prises de courant mis à la terre. L'adaptateur ne doit pas être utilisé si une prise de courant mise à la terre à trois fentes est disponible.

Pour débrancher l'appareil, mettez les boutons de contrôle à « OFF » puis retirez la fiche de la prise du courant.

Méthodes de mise à la terre



note:

L'appareil doit être connecté à un circuit de 15 ampères. L'utilisation d'un cordon d'extension N'EST PAS autorisée.

2.3 dégagements minimaux aux matériaux combustibles

Les mesures sont prises depuis le haut de l'appareil

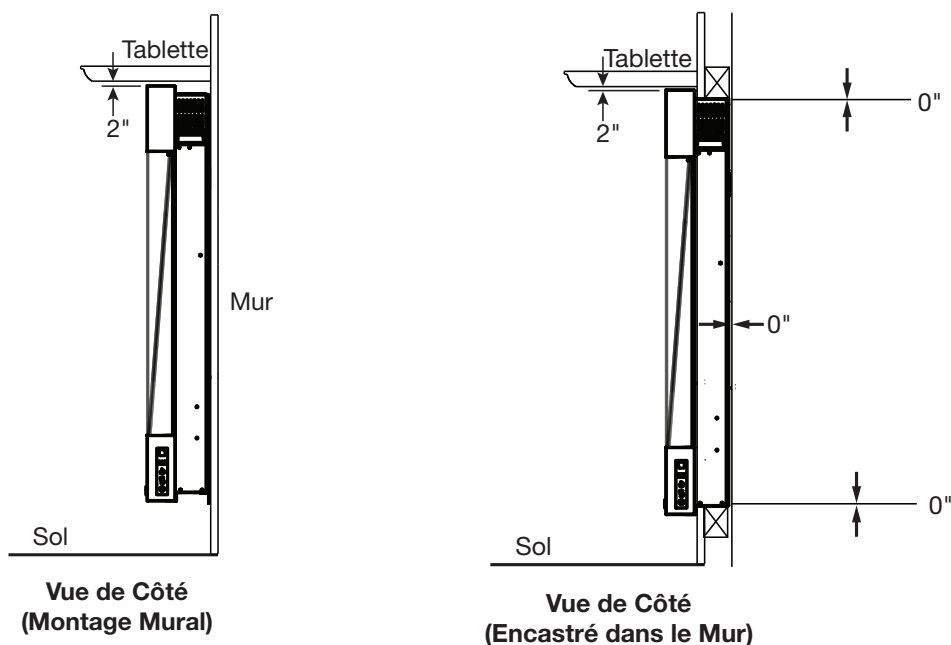
Haut, Bas, Côtés, et Arrière

0"

2.4 dégagements minimaux de la tablette

! AVERTISSEMENT

- Lorsque vous utilisez de la peinture ou de la laque pour finir le manteau, la peinture ou la laque doit être résistante à la chaleur pour éviter la décoloration.

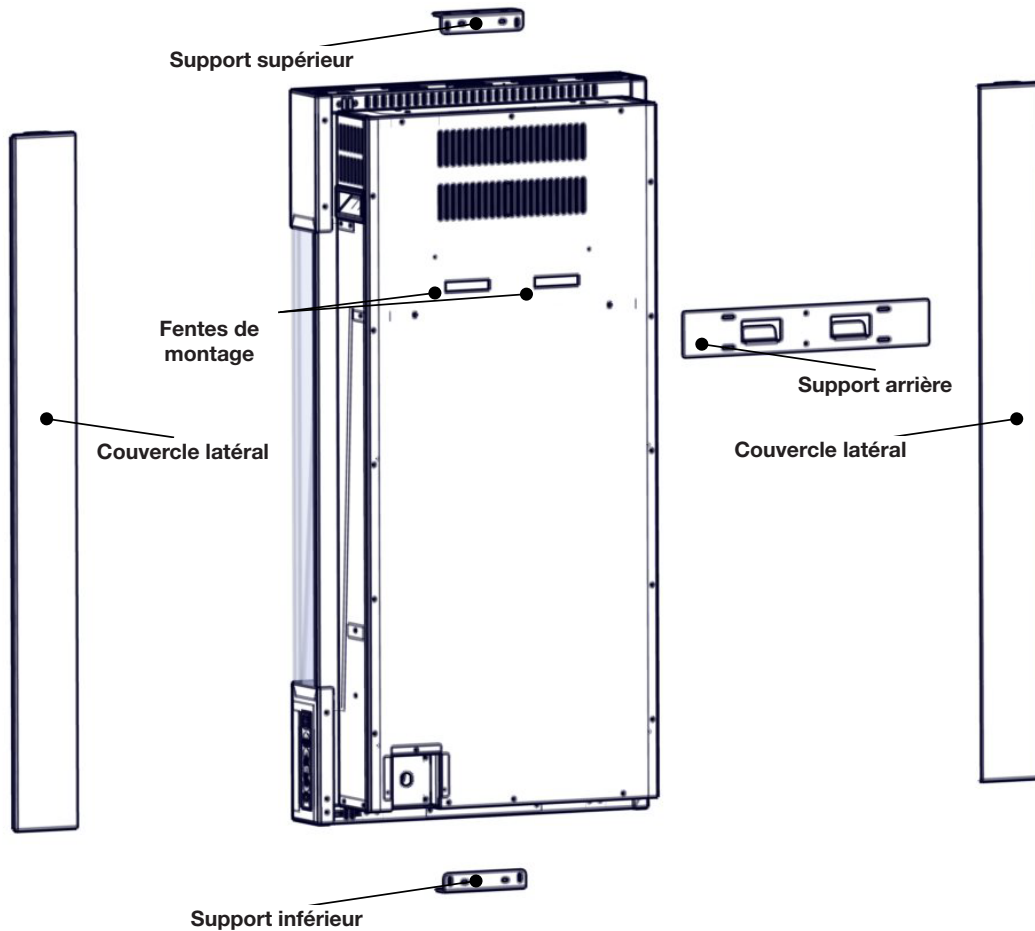


2.5 installation de l'appareil sur le mur

! AVERTISSEMENT

- Consultez votre constructeur local avant d'installer l'appareil. L'appareil doit être installé conformément aux codes du bâtiment locaux.
- L'appareil doit être installé dans un endroit non sujet à l'humidité.
- L'appareil doit être installé au moins 36" (91,4cm) des matériaux combustibles tels que rideaux, meubles, literie, papier, etc.

Vue d'Ensemble de l'Appareil (Vue de l'Arrière)



note:

Nous recommandons d'avoir 2 personnes pour installer cet appareil.

1. Enlevez le verre avant (voir la section « enlèvement du verre avant »). S'il y a lieu, enlevez les médias existantes.
2. Placez l'appareil sur une surface douce et non-abrasive, puis enlevez les couvercles latéraux fixés à l'arrière de l'appareil. Mis à côté.
3. Enlevez le support inférieur (**Fig. 1**). Mis à côté.
4. Tenez l'appareil contre le mur pour déterminer l'emplacement final.

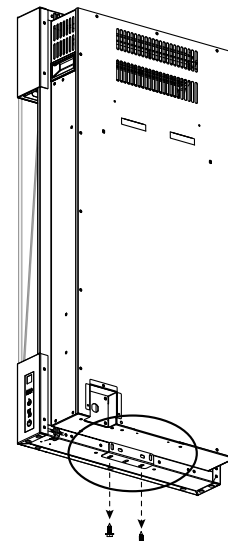
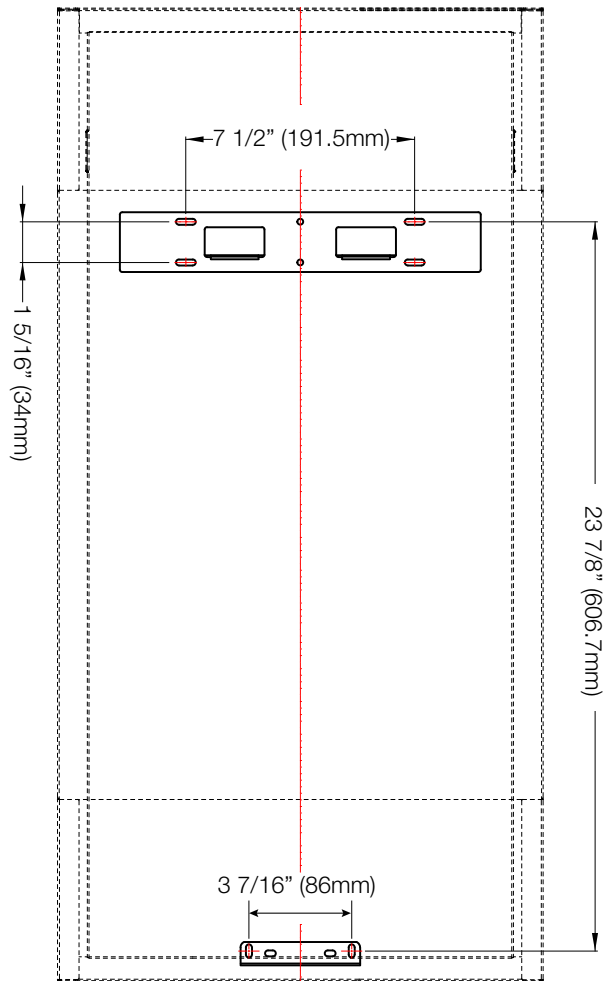


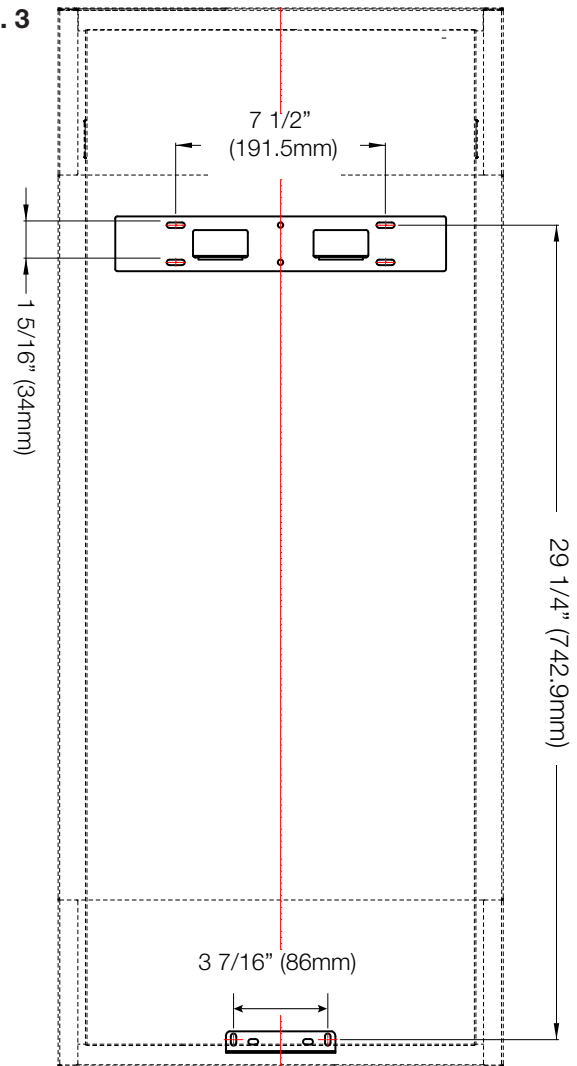
Fig. 1

Fig. 2



Modèle d'Installation de Montage Mural
NEFVC32H

Fig. 3



Modèle d'Installation de Montage Mural
NEFVC38H

5. À l'aide du modèle d'installation de montage mural approprié (**Fig. 2 pour NEFVC32H ou Fig. 3 pour NEFVC38H**), marquez l'emplacement des supports arrière et inférieur sur le mur.

note:

Le support de montage doit être vissé dans les goujons de mur avec au moins 2 vis. Si les vis restantes ne peuvent pas être vissées dans un goujon, assurez-vous que les ancrages en plastique (fournis) sont utilisés pour fixer le support sur le mur et que le support est bien fixé.

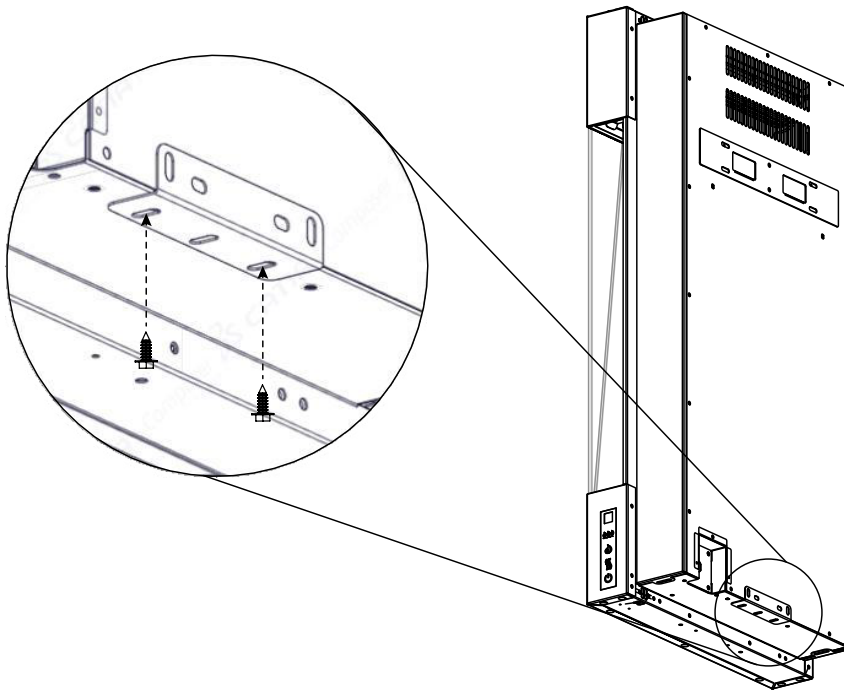
6. Installez le support arrière (livré à l'intérieur du morceau de polystyrène protégeant le dessus de l'appareil) à l'aide des 2 ancrages en plastique et 2 vis à bois (fournies). Le support doit être de niveau.

note:

Le support arrière doit avoir les crochets vers le haut.

7. Installez le support inférieur à l'aide des 2 ancrages en plastique et 2 vis à bois (fournies).
8. Enlevez l'appareil jusqu'à ce que les 2 fentes de montage dégagent les crochets sur le support arrière. Faites glisser l'appareil jusqu'à ce qu'il soit complètement sécurisé.

9. Fixez l'appareil au support inférieur à l'aide des vis précédemment retirées à l'étape 3 (Fig. 4).



note:

Assurez-vous de noter l'emplacement du support inférieur parce-qu'il est différent de l'emplacement d'origine (voir Fig. 1).

Fig. 4

10. Installez le verre avant (voir la section « installation du verre avant »).

11. Installez le couvercles latéraux à l'aide des vis précédemment retirées à l'étape 2 (Fig. 5).

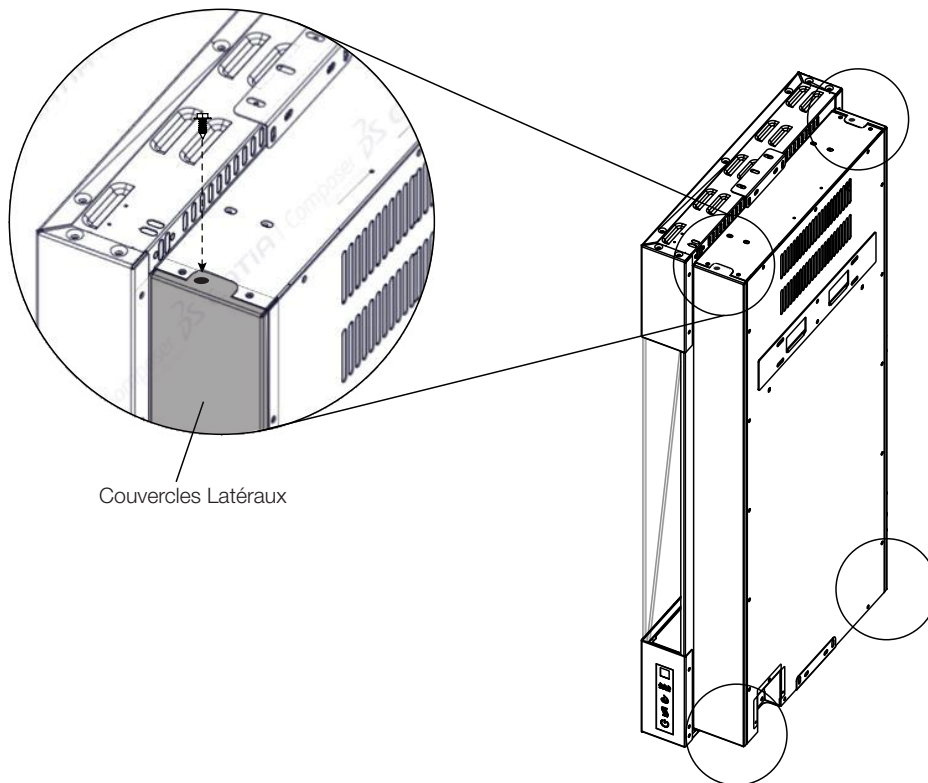


Fig. 5

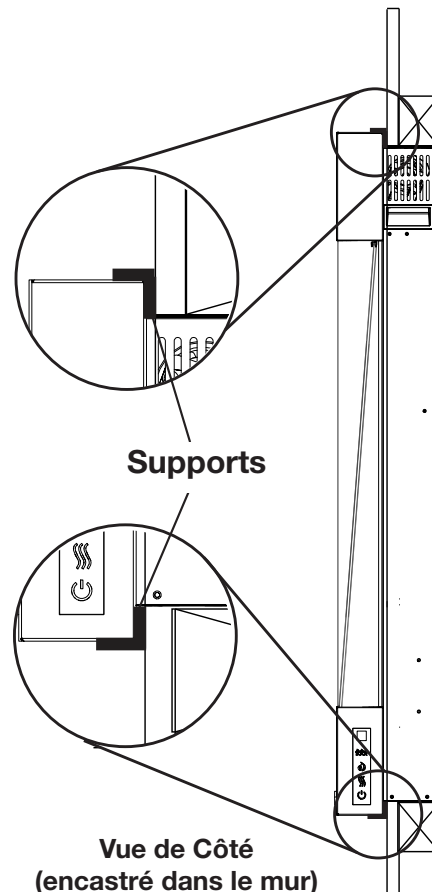
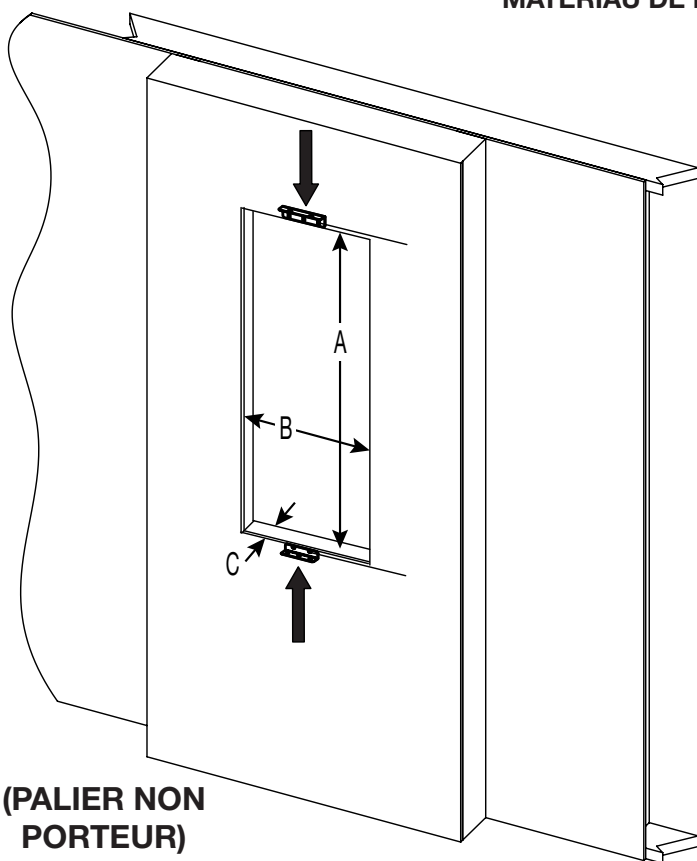
installation

FR

2.6 encastrer l'appareil dans le mur

Les mesures sont prises du corps:	
Côtés, Arrière, Haut	0"

MATÉRIAU DE FINITION



(PALIER NON PORTEUR)

No. de Modèle	A	B	C
NEFVC32H	30 3/4" (78.1cm)	14 1/2" (36.8cm)	3 1/2" (8,9cm) min.
NEFVC38H	36 3/4" (93.3cm)	14 1/2" (36.8cm)	3 1/2" (8,9cm) min.

1. Enlevez les couvercles latéraux fixés à l'arrière de l'appareil et les jetez.
2. Insérez l'appareil dans l'enceinte, puis marquez les emplacements des supports supérieur et inférieur. Retirez l'appareil de l'enceinte et déposez-le sur une surface douce et non-abrasive.
3. Enlevez les supports supérieur et inférieur (**Fig. 1**).
4. À l'aide des marques d'emplacement du support supérieur et inférieur de l'étape 2, installez les supports supérieur et inférieur au mur à l'aide de 4 vis à bois (fournies).
5. Réinsérez l'appareil dans l'enceinte, puis fixez-le aux supports supérieur et inférieur (**Fig. 1**).

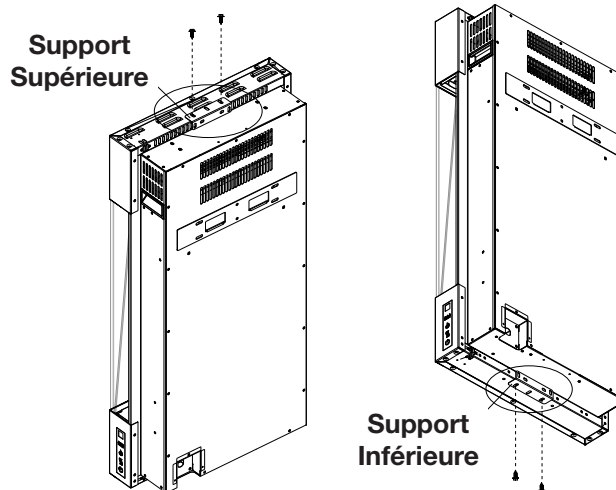
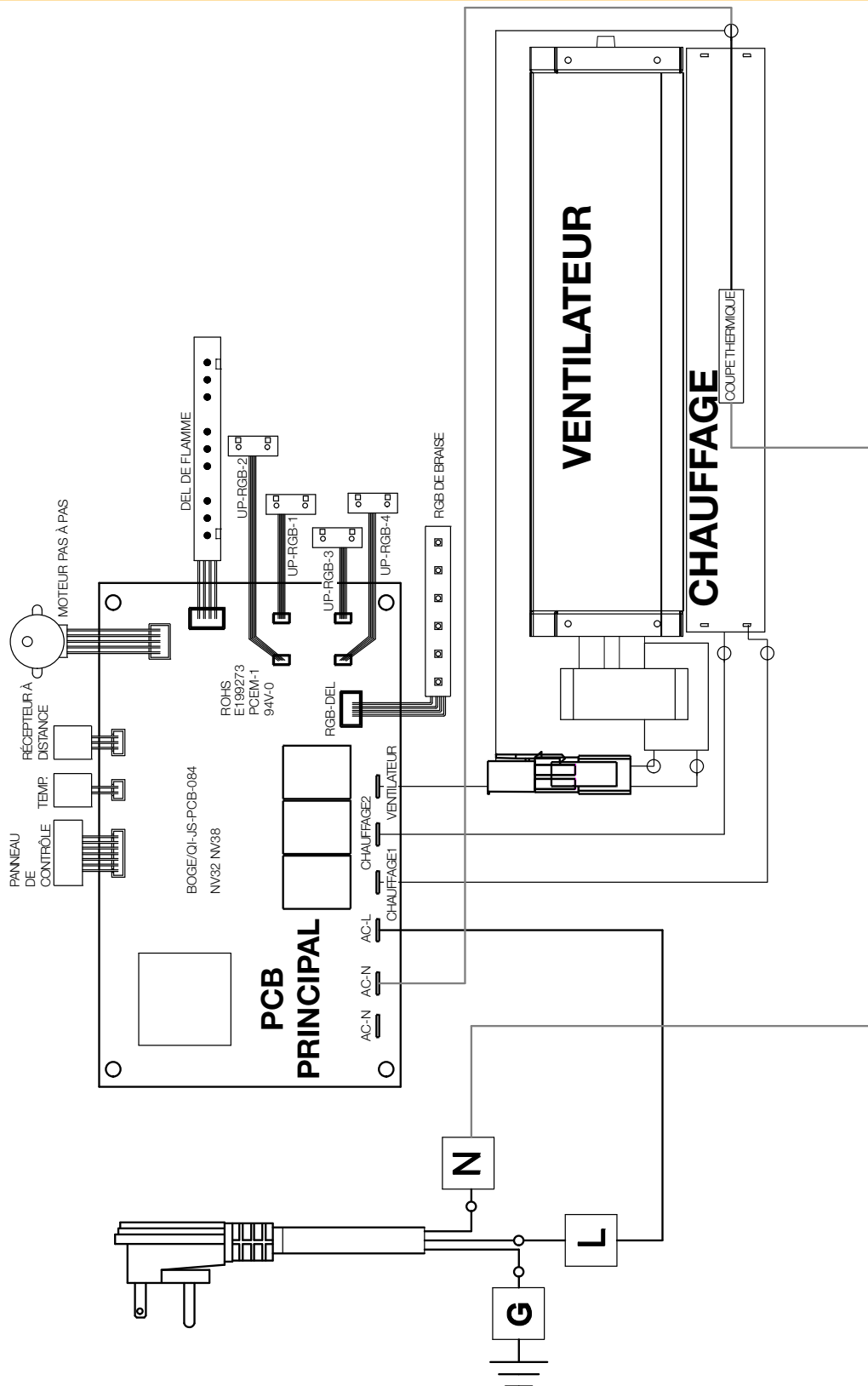


Fig. 1

3.1 schéma de câblage

AVERTISSEMENT

- Éteignez complètement l'appareil et laissez refroidir avant de procéder à l'entretien. Seul un technicien qualifié doit servir et réparer cet appareil électrique.



! AVERTISSEMENT

- Coupez l'alimentation électrique à l'appareil et laissez-le refroidir avant d'effectuer un entretien. Seul un technicien de service qualifié peut effectuer l'entretien ou la réparation de cet appareil électrique.

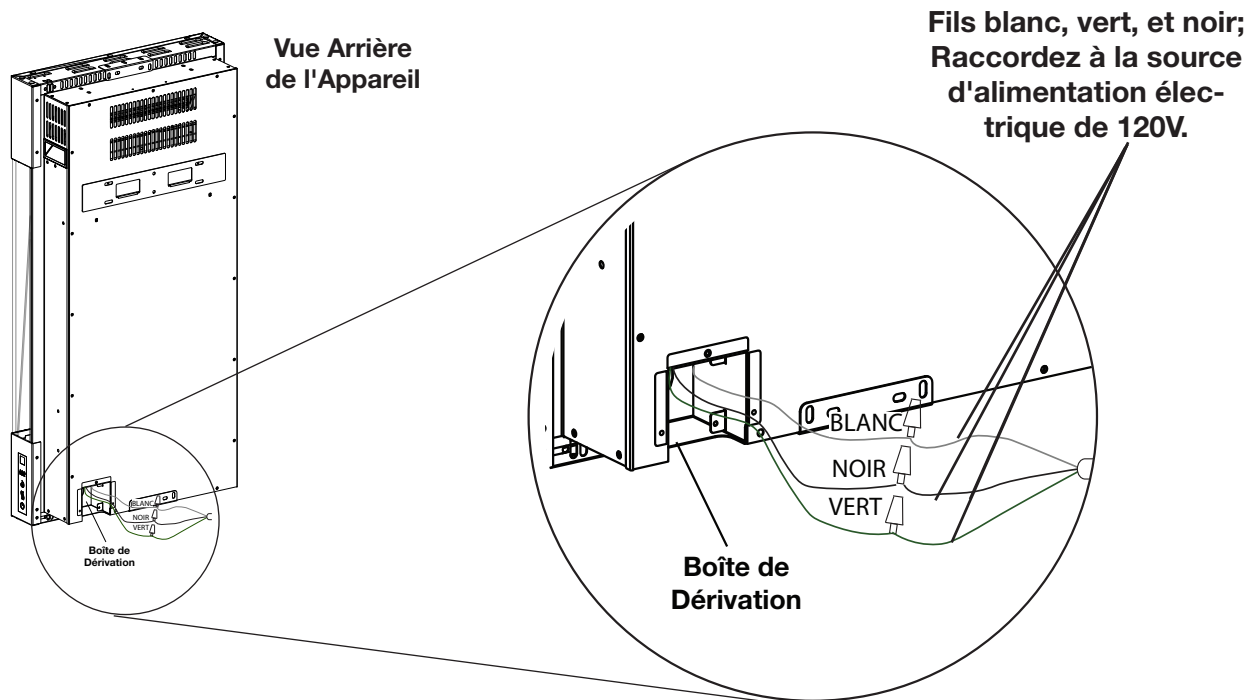
BRANCHEMENT PAR CÂBLE

Si c'est nécessaire de faire branchement par câble, un électricien qualifié peut retirer le cordon d'alimentation de l'appareil et brancher ce dernier directement au câblage de la maison. L'alimentation de disjoncteurs et fils doit être classé pour 120V minimum 15 amps.

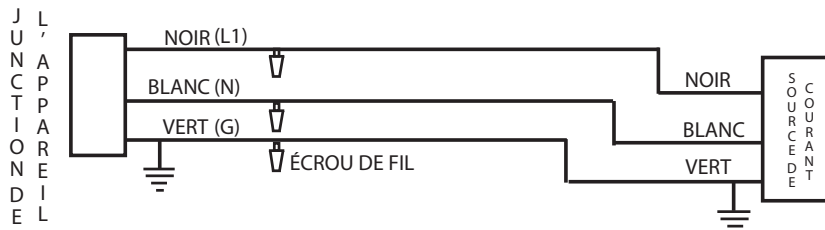
Si vous effectuez un branchement par câble, cet appareil doit être raccordé électriquement et mis à la terre conformément aux codes locaux. En l'absence de tels codes, utilisez la version courante du Code Canadien de l'Électricité CSA C22.1 au Canada ou du National Electrical Code ANSI/NFPA 70 aux États-Unis.

note:

Il y a 3 fils pour la connexion de l'appareil: le blanc (neutre), le noir (alimentation L1), et le vert (mis à la terre) qui se connectent à l'alimentation 120V (panneau de disjoncteurs).



- Retirez les 4 vis de fixation de la plaque de recouvrement, située sur le côté inférieur gauche de l'appareil (quand il est vu de l'arrière).
- Installez le raccord de retenue sur la plaque de recouvrement électrique (que vous trouverez dans le sac de câbles).
- Séparez l'un de l'autre les fils noir, blanc, et vert munis de capuchons de connexion.
- Retirez les capuchons de connexion et raccordez le fil noir (alimentation L1) au fil noir (alimentation L1) du circuit d'alimentation. Raccordez le fil blanc de l'appareil au fil blanc (neutre) du circuit d'alimentation. Raccordez le fil vert au fil de mis à la terre.
- Remplacez la plaque de recouvrement et fixez-la.



4.0 instructions de fonctionnement

FR







AVERTISSEMENT

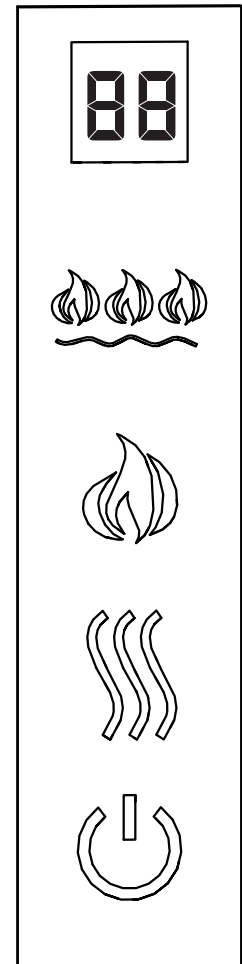
- Assurez-vous que les disjoncteurs de la maison pour ce circuit soient allumés. Lorsque vous branchez d'abord l'appareil à une source d'alimentation de l'appareil effectuera une DEL vérifier. L'appareil se met à clignoter sur et en dehors pendant 5 seconds.

L'appareil est prêt à fonctionner dès qu'il est correctement branché dans une prise de courant mise à la terre (120v).

4.1 utilisation du panneau de commande

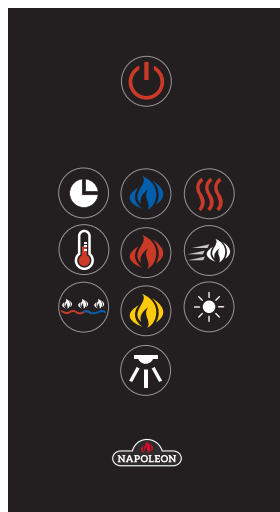
Le panneau de commande est situé sur le côté droit de l'appareil (quand il est vu de face).








Puissance		Allume et éteint l'appareil.
Lumière de Lit de Braise		Contrôle les réglages de la lumière de lit de braise. Réglages: L0 - Lumière de lit de braise éteinte L1 - Blanc L2 - Bleu L3 - Vert L4 - Rouge L5 - Jaune L6 - Violet L7 - Cycle automatique de blanc, bleu, vert, rouge, jaune, et violet (NOTE: Il faudra 8.5 seconds pour passer d'une couleur à l'autre). L8 - Verrouiller à la couleur désirée
Contrôle de Flamme		Contrôle la flamme. 8 Réglages: 00 - Flamme éteint 01 - Flamme orange 02 - Flamme jaune 03 - Flamme bleu 04 - Flamme jaune / orange 05 - Flamme orange / bleu 06 - Flamme jaune / blue 07 - Flamme jaune / orange / bleu
Commutateur F° / C°		Change le format de température de Celsius à Fahrenheit ou vice versa. Maintenez enfoncé le bouton pendant 5 secondes.
Contrôle de Chauffage		Allume et éteint le chauffage et ventilateur. 4 Réglages: H0 - Chauffage et ventilateur éteinte bL - Ventilateur allume H1 - Chaleur faible H2 - Chaleur forte
Verrouillage de Chauffage		Le bouton de chauffage peut être verrouillé ou déverrouillé en maintenant le bouton de chauffage pendant 5 secondes.







instructions de fonctionnement

FR 4.2 utilisation de la télécommande



Puissance		Allume et éteint l'appareil.
Flamme Blue		Contrôle la luminosité de flamme. Réglages: F0 - Flamme éteinte F1 - Flamme petite F2 - Flamme moyenne F3 - Flamme brillante F4 - Flamme la plus brillante
Flamme Orange		
Flamme Jaune		
Chauffage		Allume et éteinte le chauffage et ventilateur. Réglages: H0 - Chauffage et ventilateur éteinte bL - Ventilateur allume H1 - Chaleur faible H2 - Chaleur forte
Vitesse de la Flamme		Contrôle la vitesse de la flamme. Il y a 5 réglages de vitesse de flamme: 01 (le plus lent), 02, 03, 04, et 05 (le plus rapide).
Lumière Supérieure		La rotation de couleurs de la lumière supérieure est la même que celle du lit de braises.

Couleur de Lit de Braise		Contrôle les réglages de la lumière de lit de braise. Réglages: L0 - Lumière de lit de braise éteinte L1 - Blanc L2 - Bleu L3 - Vert L4 - Rouge L5 - Jaune L6 - Violet L7 - Cycle automatique de blanc, bleu, vert, rouge, jaune, et violet (NOTE: Il faudra 8.5 seconds pour passer d'une couleur à l'autre). L8 - Verrouiller à la couleur désirée.
Luminosité de Lit de Braise		Contrôle la luminosité de la lumière de lit de braise. Réglages: b1 - Faible b2 - Moyen b3 - Brillant b4 - Le plus brillant
Minuteur		Il y a 10 réglages de minuteur: 00, 30min., 1h, 2h, 3h, 4h, 5h, 6h, 7h, et 8h.
Contrôle de Température		Il y a 7 réglages de température: 61°F [16°C], 64°F [18°C], 70°F [21°C], 75°F [24°C], 81°F [27°C], 85°F [29°C], et OFF.

4.3 installation de la batterie de la télécommande

! AVERTISSEMENT

- Cette télécommande nécessite des piles bouton qui sont dangereuses pour les jeunes enfants.
- AVERTISSEMENT - GARDEZ LES PILES DE LA PORTÉE DES ENFANTS.
- L'ingestion peut entraîner des blessures graves ou la mort dans moins de 2 heures, en raison des brûlures chimiques et de la perforation potentielle de l'œsophage.
- Si vous pensez que votre enfant a avalé ou inséré une pile bouton, recherchez immédiatement une assistance médicale urgente.
- Examinez les appareils et assurez-vous que le compartiment de la pile est bien fixé que la vis ou autre attache mécanique est serrée. Ne pas utiliser si le compartiment n'est pas sécurisé.
- Éliminez les piles bouton usagées immédiatement et en toute sécurité. Les piles plates peuvent encore être dangereuses.
- Enseignez aux autres les risques associés aux piles bouton et la façon de garder leurs enfants en sécurité.



note:

Le télécommande dispose d'une languette en plastique amovible pour prolonger la durée de vie de la batterie pendant d'expédition. Retirez la languette de la télécommande pour fonctionner.

1. Pour remplacer la pile existance, retirez le support de la batterie.
2. Tournez à télécommande avec le côté arrière vers le haut. Glissez le couvercle des piles de la télécommande.
3. Insérez une pile de type CR 2025 dans le support puis réinsérez ce dernier dans la télécommande.
4. Le couvercle de la pile est bien fixé lorsque vous entendez un « clic ».



note:

Cette télécommande doit rester à moins de 5 mètres (17 pieds) de l'appareil pour être efficace. Cette plage peut être réduite lorsque l'énergie de la batterie est épuisée. La télécommande doit être dirigée vers le centre de l'appareil pour qu'elle fonctionne le plus efficacement.

5.0 finitions

FR

AVERTISSEMENT

- Le raccordement par câble doit être complété avant la finition afin d'éviter toute reconstruction.
- Les entrées d'air et les sorties d'air de l'appareil ne doivent jamais être couvertes.

5.1 installation de braise en cristal

note:

Le verre avant doit être retiré et l'appareil doit être sécurisé à sa place finale avant que les braises de cristale soient installées (voir la section « enlèvement du verre avant »).

1. Placez soigneusement les petites braises de cristal dans le plateau à média inférieur (**Fig. 1**).
2. Appliquez une couche uniforme d'une côté à l'autre.
3. Placez au hasard les 3 grandes braises de cristal sur le dessus des petites braises de cristal.



Fig. 1

5.2 installation des bûches de bouleau (NEFVC38H seulement)

note:

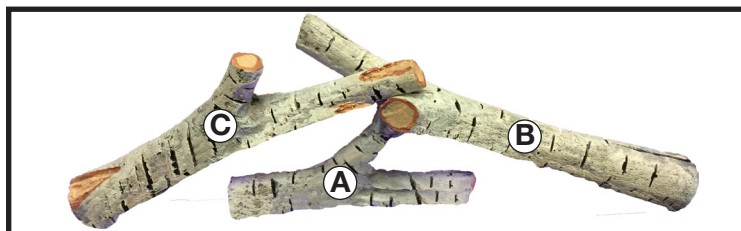
Les bûches de bouleau sont inclus avec modèles NEFVC38H seulement.

note:

Le verre avant doit être retiré et l'appareil doit être sécurisé à sa place finale avant que les bûches de bouleau soient installées dans modèles NEFVC38H seulement (voir la section « enlèvement du verre avant »).

1. Placez soigneusement les bûches de bouleau sur le plateau à média (voir l'illustration ci-dessous pour l'emplacement recommandé).
2. Utilisez les petites braises de cristal (voir la section « installation de braise en cristal ») pour remplir l'espace entre les bûches de bouleau. Cela améliorera l'apparence générale de l'appareil.

Réf.	No. de Bûche
A	W135-0768
B	W135-0770
C	W135-0769



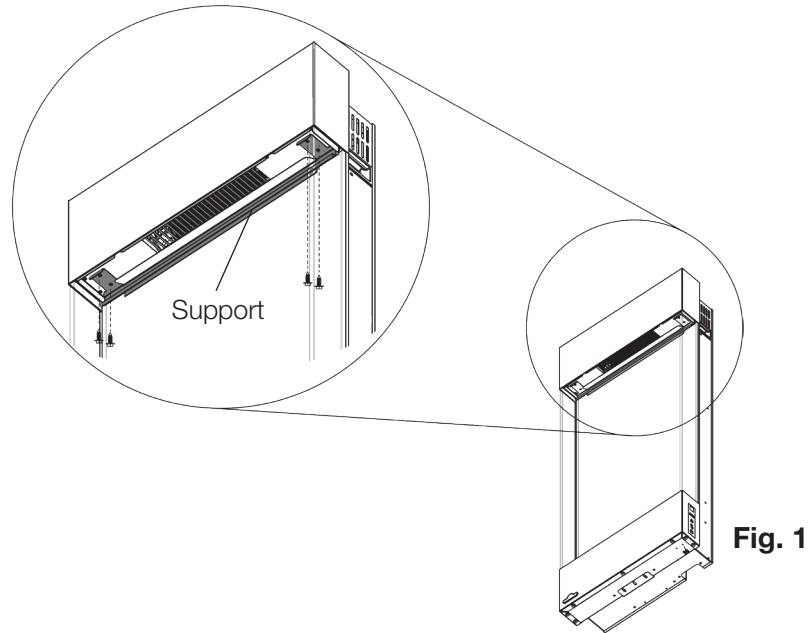
L'emplacement recommandé pour les bûches de bouleau (modèles NEFVC38H seulement)

5.3 installation du verre avant

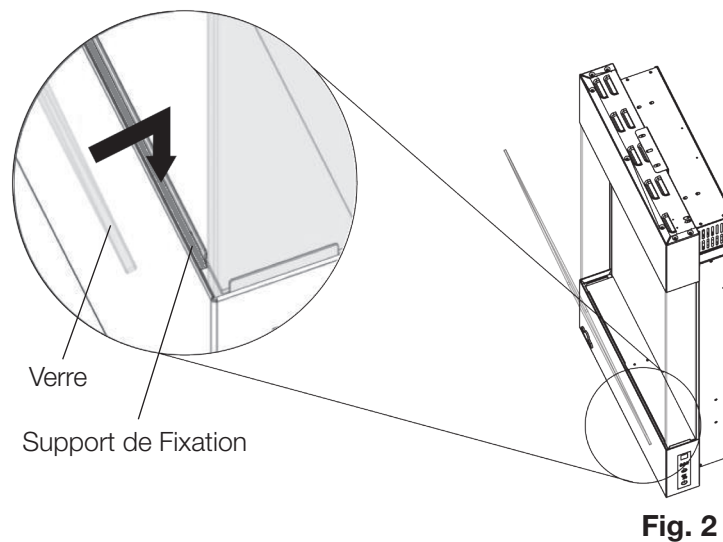
AVERTISSEMENT

- Les matériaux de façade et de finition ne doivent pas nuire à la circulation de l'air dans les ouvertures d'air et les persiennes, ni au fonctionnement des persiennes ou des portes. Ils ne doivent pas non plus entraver l'accès pour l'entretien. Respectez tous les dégagements aux matériaux combustibles.
- Avant d'enlever la porte, éteignez l'appareil et attendez que ce dernier soit froid au toucher. Les portes sont lourdes et fragiles. Manipulez avec soin.

1. Retirez le support du dessus du chambre de combustion en retirant les 4 vis (**Fig. 1**).



2. Placez le fond du verre dans le support de fixation de l'appareil, situé dans le chambre de combustion (**Fig. 2**), puis appuyez le verre contre l'arrière du chambre de combustion.
3. À l'aide des 4 vis précédemment retirées dans l'étape 1, re-sécurisez le support au dessus du chambre de combustion. Assurez-vous que les crochets du support face à l'avant de l'appareil (**Fig. 1**).

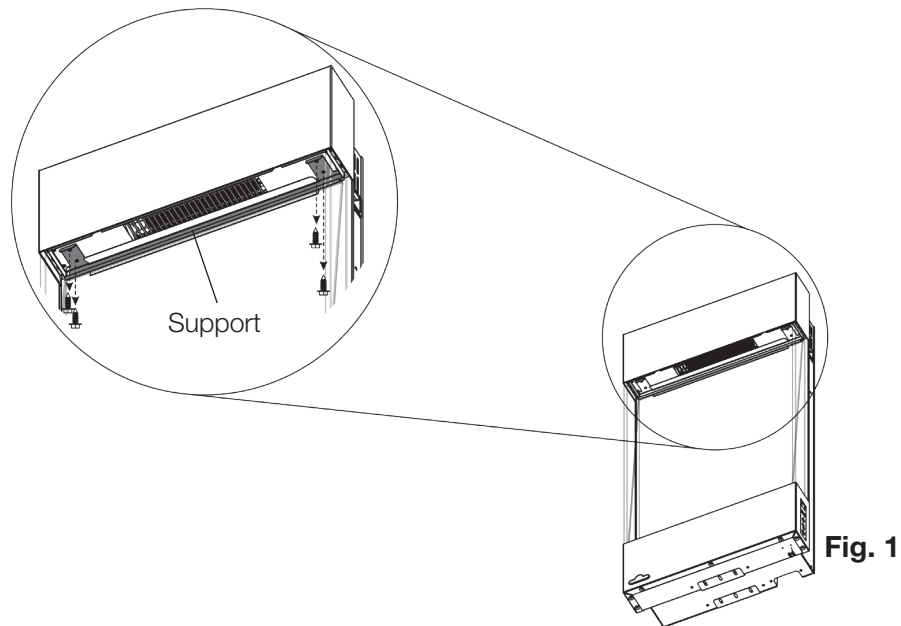


finitions

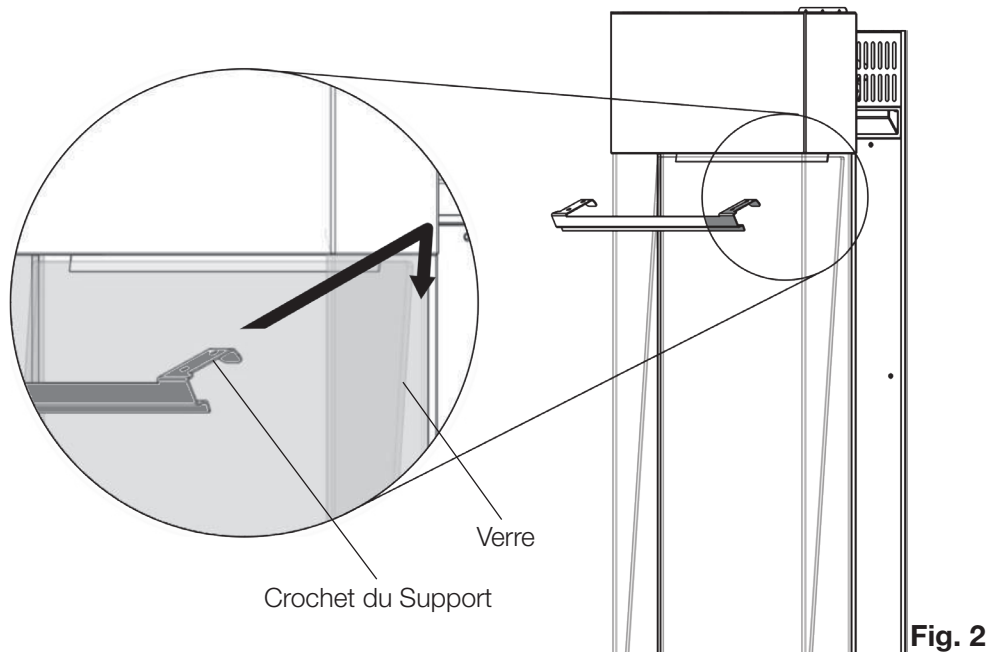
FR

5.4 enlèvement du verre avant

1. Retirez le support du dessus du chambre de combustion en retirant les 4 vis (**Fig. 1**). Mettez de côté les vis; gardez le support proche pour l'étape 2.



2. À l'aide des crochets de support, accédez à l'arrière du verre puis glissez-le par l'avant (**Fig. 2**), puis retirez le verre and le placez sur une surface douce et non-abrasive.



AVERTISSEMENT

- Omettre de positionner les pièces conformément à ce manuel ou d'utiliser uniquement des pièces spécifiquement approuvées pour cet appareil peut causer des dommages matériels ou des blessures corporelles.

Contactez votre détaillant pour les questions concernant les prix et la disponibilité des pièces de remplacement. Normalement, toutes les pièces peuvent être commandées chez votre détaillant autorisé.

Pour un remplacement de pièce sous garantie, une photocopie de la facture originale sera requise afin de pouvoir honorer la demande.

Lorsque vous commandez des pièces, donnez toujours l'information suivante:

- Modèle et numéro de série de l'appareil
- Date d'installation de l'appareil
- Numéro de la pièce
- Description de la pièce
- Fini

Pièces, numéro des pièces et s'il soit disponible peut changer sans préavis.

Parties identifiées comme garnie seront livrés dans 2 à 5 jours pour la plupart des destinations de livraison.

Pièces non identifiées que stockés seront livrés dans un délai de 2 à 4 semaines pour la plupart des cas.

Pièces identifiées comme « SO » sont commande spéciale et peuvent prendre jusqu'à 90 jours pour la livraison.

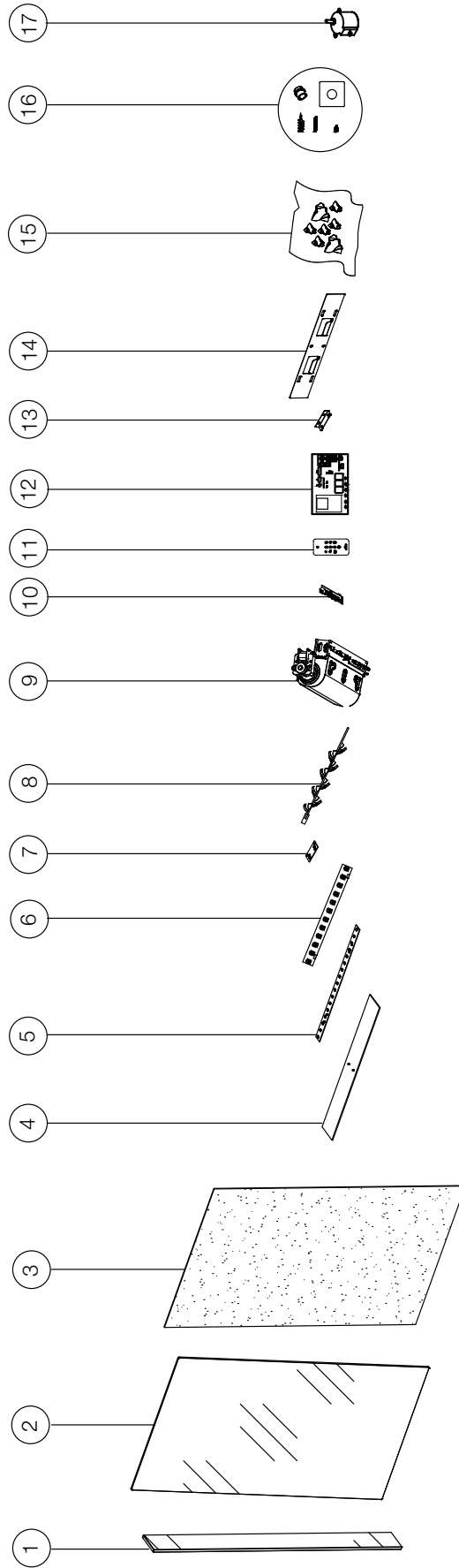
Pour le service après-vente, veuillez contacter 1-866-820-8686.

pièces de rechanges

6.1 vue d'ensemble NEFVC32H

note:

Usez de prudence lorsque vous enlevez et jetez des débris de verre ou des composants endommagés. Assurez-vous d'aspirer tous les débris de verre à l'intérieur de l'appareil avant de le faire fonctionner.



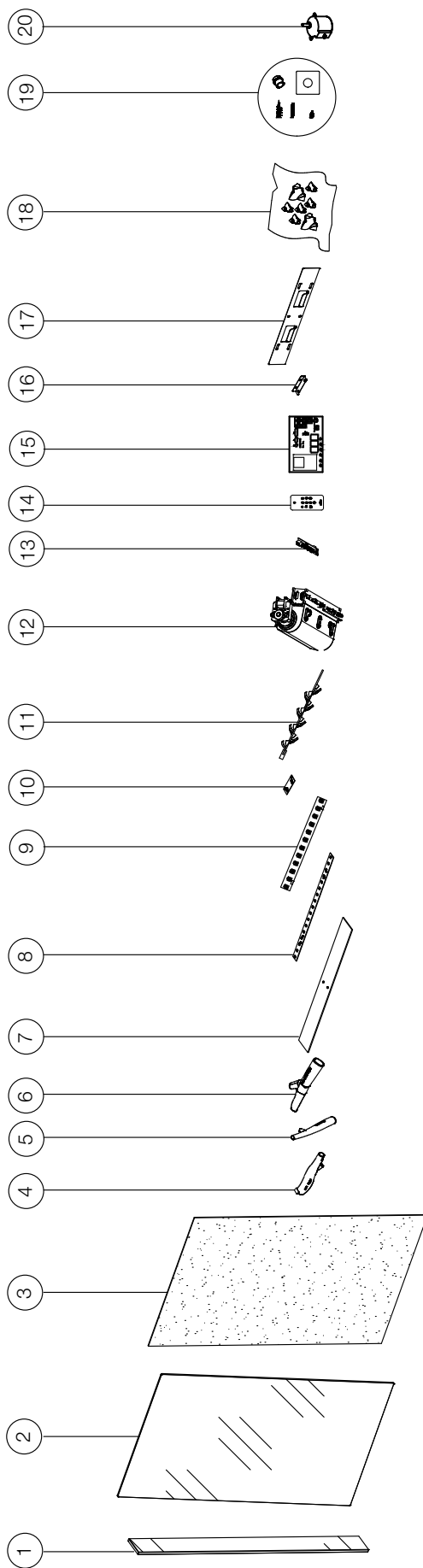
Ces articles peuvent différer de celles illustrées.

Ref.	No. de pièce	Description	En stock	Ref.	No. de pièce	Description	En stock
1	W300-0285-SER	Verre de côté	Oui	9	W010-4397-SER	Assemblage de chauffage et ventilateur	Oui
2	W300-0287-SER	Verre avant	Oui	10	W475-1593-SER	Panneau de contrôle	Oui
3	W475-1591-SER	Panneau en plastique acrylique	Oui	11	W190-0136-SER	Télécommande	Oui
4	W497-0050-SER	Bandes de plastique	Oui	12	W190-0137-SER	Contrôle de PCB principale	Oui
5	W405-0069-SER	Lumière de braises DEL	Oui	13	W080-1890-SER	Support mural haut/bas	Oui
6	W405-0068-SER	Lumière de flamme DEL	Oui	14	W080-1889-SER	Support mural arrière	Oui
7	W405-0070-SER	Lumière supérieure DEL	Oui	15	W497-0049-SER	Cristaux	Oui
8	W527-0031-SER	Réflecteur	Oui	16	W370-0146	Kit de matériel	Oui
				17	W435-0088-SER	Moteur pas à pas	Oui

6.2 vue d'ensemble NEFVC38H

note:

Usez de prudence lorsque vous enlevez et jetez des débris de verre ou des composants endommagés. Assurez-vous d'aspirer tous les débris de verre à l'intérieur de l'appareil avant de le faire fonctionner.



Ces articles peuvent différer de celles illustrées.

Réf.	No. de pièce	Description	En stock	Réf.	No. de pièce	Description	En stock
1	W300-0286-SER	Verre de côté	Oui	11	W527-0031-SER	Réflecteur	Oui
2	W300-0288-SER	Verre avant	Oui	12	W010-4397-SER	Assemblage de chauffage et ventilateur	Oui
3	W475-1592-SER	Panneau en plastique acrylique	Oui	13	W475-1593-SER	Panneau de contrôle	Oui
4	W135-0768	Bûche de bas	Oui	14	W190-0136-SER	Télécommande	Oui
5	W135-0769	Bûche à gauche	Oui	15	W190-0137-SER	Contrôle de PCB principale	Oui
6	W135-0770	Bûche à droite	Oui	16	W080-1890-SER	Support mural haut/bas	Oui
7	W497-0050-SER	Bandes de plastique	Oui	17	W080-1889-SER	Support mural arrière	Oui
8	W405-0069-SER	Lumière de braises DEL	Oui	18	W497-0049-SER	Cristaux	Oui
9	W405-0068-SER	Lumière de flamme DEL	Oui	19	W370-0146-SER	Kit de matériel	Oui
10	W405-0070-SER	Lumière supérieure DEL	Oui	20	W435-0088-SER	Moteur pas à pas	Oui

7.0 guide de dépannage

FR

AVERTISSEMENT

- Coupez l'alimentation électrique à l'appareil et laissez-le refroidir avant d'effectuer un entretien. Seulement un technicien de service qualifié peut effectuer l'entretien ou la réparation de cet appareil électrique.

symptôme	problème	solution
La luminosité du jeu de flammes est faible ou inexistante.	Éclat de flamme n'est pas sélectionné	Voir la section « opération ».
	Les DEL sont brûlées.	Vérifiez les DEL et remplacez-les au besoin.
	Carte de circuit imprimé est brûlé.	Vérifiez le carte de circuit imprimé et remplacez-le au besoin.
Le lit de braises s'illumine pas ou ne diminue pas en luminosité.	Luminosité n'est pas sélectionnée.	Voir la section « opération ».
	Les DEL de braises sont brûlées.	Vérifiez les DEL de braises et remplacez-les au besoin.
	Carte de circuit imprimé est brûlé.	Vérifiez le carte de circuit imprimé et remplacez-les au besoin.
L'appareil n'émet aucune chaleur.	Réglage du chauffage n'est pas sélectionné.	Voir la section « opération ».
	Le chauffage a été verrouillé.	Voir la section « opération ».
	La température ambiante est plus élevée que le réglage de l'appareil (si réglée au température de la chambre).	Réinitialiser la température de l'appareil.
	L'appareil a surchauffé et le dispositif de sécurité a entraîné le déclenchement de l'interrupteur thermique.	Débranchez l'appareil et le disjoncteur, laissez-le refroidir pendant 15 minutes, puis rebranchez-le, puis brancher ou allumer le disjoncteur.
	Le chauffage est brûlé.	Inspecter la soufflerie et le ventilateur et remplacez-les au besoin.
L'appareil s'éteint et ne se rallume pas.	Le disjoncteur de la maison s'est déclenché.	Réinitialisez le disjoncteur.
	Le fusible de l'appareil a éteint.	Remplacez le fusible.
	L'appareil a surchauffé et le dispositif de sécurité a entraîné le déclenchement de l'interrupteur thermique.	Débranchez l'appareil et le disjoncteur, laissez-le refroidir pendant 15 minutes, puis rebranchez-le, puis brancher ou allumer le disjoncteur.
L'appareil ne s'allume pas lorsque l'interrupteur est mis à « ON ».	L'appareil n'est pas branché dans une prise de courant.	Vérifiez la fiche puis rebranchez-la.
	Branchement par câble sont incorrectes (si applicable).	Voir la section « branchement par câble ».
	L'appareil a surchauffé et le dispositif de sécurité a entraîné le déclenchement de l'interrupteur thermique.	Débranchez l'appareil et le disjoncteur, laissez-le refroidir pendant 15 minutes, puis rebranchez-le, puis brancher ou allumer le disjoncteur.
	La carte de circuit imprimé est brûlé.	Inspectez la carte de circuit imprimé est remplacez-le au besoin.

La télécommande ne fonctionne pas.	Les piles sont faibles. Dysfonctionnement du récepteur à distance.	Remplacez les piles de la télécommande. S'assurez que le récepteur à distance n'est pas bloqué. Replacer le panneau.
La chauffage s'éteint automatiquement.	La température ambiante est trop élevée.	L'appareil est équipé d'un thermostat intégré et s'éteindra automatiquement lorsque la température programmée sera atteinte. Il s'allumera automatiquement lorsque la température de la pièce descendra en dessous de la température programmée.
Flamme ne bouge pas.	Moteur calé / ne fonctionne pas correctement.	Cycle de marche / arrêt. Si le problème persiste, consulter le concessionnaire.
Panne de courant.	L'appareil est revenue à les paramètres par défaut.	Re-programme l'appareil au paramètres d'origine. (Pas applicable avec tous les appareils)
La lumière DEL clignote.	L'appareil a surchauffé et le dispositif de sécurité a entraîné le déclenchement de l'interrupteur thermique.	Débranchez l'appareil et le disjoncteur, laissez-le refroidir pendant 15 minutes, puis rebranchez-le, puis brancher ou allumer le disjoncteur.

8.0 garantie

FR

Les appareils électriques **Napoléon** sont fabriqués conformément aux normes strictes du Système de Gestion de la Qualité mondialement reconnu ISO 9001 : 2015.

Les produits **Napoléon** sont conçus avec des composants et des matériaux de qualité supérieure, assemblés par des artisans qualifiés qui sont fiers de leur travail. Une fois assemblé, chaque appareil est soigneusement inspecté par un technicien qualifié avant d'être emballé pour garantir que vous, le client, recevez le produit de qualité dont vous vous attendez de **Napoléon**.

Garantie Limitée Des Appareils Électriques Napoléon

Les composants électriques et les pièces soumises à l'usure sont couverts et **Napoléon** fournira gratuitement les pièces de rechange durant la première année de la garantie limitée. Ceci couvre: le ventilateur/l'appareil de chauffage, les moteurs, les interrupteurs, les roulements à billes en nylon, les télécommandes et les lumières de DEL.

Les ampoules et fusibles **ne sont pas** couverts par la garantie.

Les coûts de main-d'œuvre relatifs aux réparations garanties ne sont pas couverts.

*La fabrication de chaque modèle varie. La garantie s'applique uniquement aux composants disponibles avec votre appareil.

Conditions et Limitations

Napoléon garantit ses produits contre les défauts de fabrication à l'acheteur d'origine seulement. L'enregistrement de la garantie n'est pas nécessaire. Fournissez simplement une preuve d'achat ainsi que le modèle et le numéro de série afin d'effectuer une réclamation de garantie. **Napoléon** se réserve le droit de demander à son représentant d'inspecter tous produits ou pièces avant d'honorer toute réclamation. L'achat doit avoir été fait par l'entremise d'un détaillant **Napoléon** autorisé et sous réserve des conditions et limitations suivantes:

La couverture de la garantie débute à partir de la date d'installation originale.

Cette garantie du fabricant n'est pas transférable et ne peut être prolongée par aucun de nos représentants.

L'installation doit être faite conformément aux instructions d'installation incluses avec le produit et à tous les codes d'incendie et de construction locaux et nationaux.

Cette garantie limitée ne couvre pas les dommages causés par un mauvais usage, un manque d'entretien, un accident, des altérations, des abus ou de la négligence, et l'installation de pièces d'autres fabricants annulera cette garantie.

Cette garantie limitée ne couvre pas non plus les égratignures, les bossellements, la corrosion ou la décoloration causée par une chaleur excessive, des produits d'entretien chimiques et abrasifs ou l'écaillage de pièces en porcelaine émaillée, le bris par manipulation des bûches Phazer™.

Au cours de la première année seulement, cette garantie s'étend à la réparation ou au remplacement des pièces garanties dont les matériaux ou la fabrication sont défectueux à la condition que le produit ait été utilisé conformément aux instructions de fonctionnement et dans des conditions normales.

Napoléon ne sera pas responsable de l'installation, de la main d'œuvre ou autres coûts ou dépenses relatives à la réinstallation d'une pièce garantie, et de telles dépenses ne sont pas couvertes par cette garantie. Nonobstant toutes les dispositions contenues dans cette garantie limitée, la responsabilité de **Napoléon** sous cette garantie est définie comme ci-dessus et elle ne s'étendra à aucun dommage accidentel, consécutif ou indirect.

Cette garantie définit l'obligation et la responsabilité de **Napoléon** en ce qui concerne l'appareil électrique **Napoléon**.

Toute autre garantie énoncée ou implicite en ce qui concerne ce produit, ses composants ou accessoires est exclue.

Napoléon n'endosse, ni n'autorise aucun tiers à assumer en son nom, toutes autres responsabilités concernant la vente de ce produit.

Tous dommages causés à l'appareil, aux garnitures en laiton ou autres composants par l'eau, les dommages causés par les intempéries, de longues périodes d'humidité, la condensation, des produits chimiques ou produits d'entretien nuisibles ne seront pas la responsabilité de **Napoléon**.

La facture ou sa copie sera requise ainsi que le numéro de série et le numéro de modèle lors d'une réclamation auprès de votre détaillant autorisé. La carte d'enregistrement de garantie doit être retournée dans les quatorze jours pour enregistrer la garantie.

Napoléon se réserve le droit de demander à son représentant d'inspecter tout produit ou pièce avant d'honorer toute réclamation.

Toutes les pièces remplacées en vertu de la politique de la garantie limitée ne peuvent faire l'objet que d'une seule réclamation.

Toutes les pièces remplacées au titre de la garantie seront couvertes pour une période de 90 jours à partir de leur date d'installation.

Le fabricant peut exiger que les pièces défectueuses ou les produits soient retournés ou que des photos numériques soient fournies pour valider la réclamation. Les produits retournés doivent être expédiés port payé au fabricant pour une inspection en usine. Si un produit est déclaré défectueux, le fabricant le réparera ou le remplacera.

Avant d'expédier votre appareil ou les pièces défectueuses, votre détaillant doit obtenir un numéro d'autorisation. Toute marchandise expédiée à notre usine sans autorisation sera refusée et retournée à l'expéditeur.

Les coûts d'expédition ne sont pas couverts par cette garantie.

Des frais de service supplémentaires peuvent être appliqués si vous cherchez à obtenir des services au titre de la garantie auprès d'un détaillant.

Toutes les spécifications et les conceptions sont sujettes à modifications sans préavis en raison des améliorations constantes apportées aux produits. **Napoléon** est une marque de commerce déposée de Wolf Steel Ltée.

NAPOLÉON CÉLÈBRE PLUS DE 40 ANS D'EXISTENCE CONSACRÉS À LA CONCEPTION DE PRODUITS DE CONFORT



7200, Route Transcanadienne, Montréal, Québec H4T 1A3
24 Napoleon Road, Barrie, Ontario, Canada L4M 0G8
214 Bayview Drive, Barrie, Ontario, Canada L4N 4Y8
103 Miller Drive, Crittenden, Kentucky, USA 41030

Téléphone: 1-866-820-8686
napoleonproducts.com