

FRONT INSTALLATION
SF-EF30-BK, SF-EF36-BK
Models: SF-BI30-EB, SF-BI36-EB
Instructions -



Leave this manual with party responsible for use and operation.

CAUTION! Risk of Cuts, Abrasions or Flying Debris. Wear protective gloves and safety glasses during installation. Sheet metal edges are sharp.

CAUTION! Do not install damaged components.

INTRODUCTION

The SF-EF30-BK/SF-EF36-BK is an optional self-trimming accessory front for the SF-BI30-EB/SF-BI36-EB Built-In electric fireplace. The front supplied with the appliance must be removed for the installation of SF-EF30-BK/SF-EF36-BK. This front provides a self-trimming design and can cover up to a 1-1/4 in. (32 mm) gap between the appliance and surrounding finishing materials. The front is designed to overlap a maximum finishing material thickness of 1/2 in. (13 mm). See Figure 1 for front dimensions.

PARTS INCLUDED

- (1) Front (SF-EF30-BK, SF-EF36-BK)

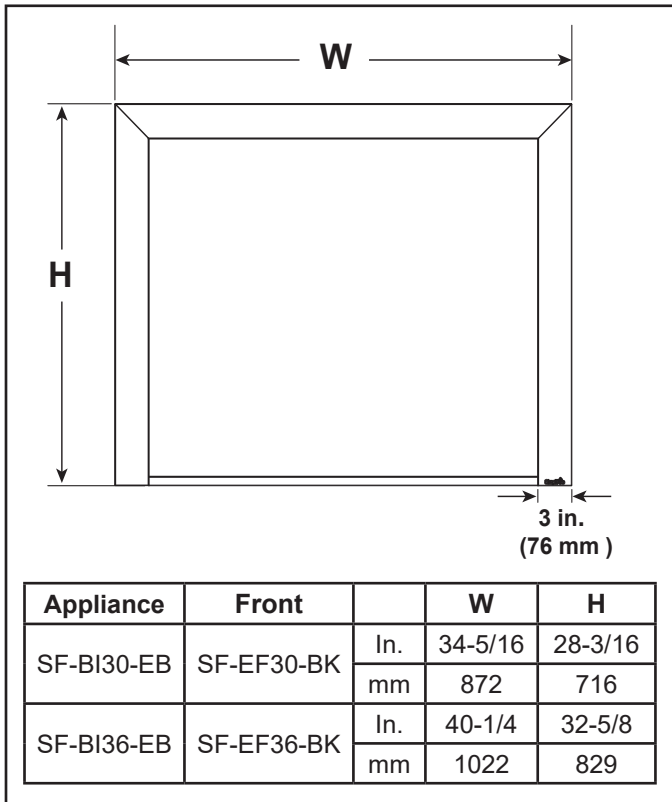


Figure 1

Existing Front Removal

1. If necessary, place a drop cloth or other material on the hearth or flooring to prevent scratching. Grasp front with two hands. Pull straight back to disengage front from the four (4) magnets on the appliance. See Figure 2 and 3.

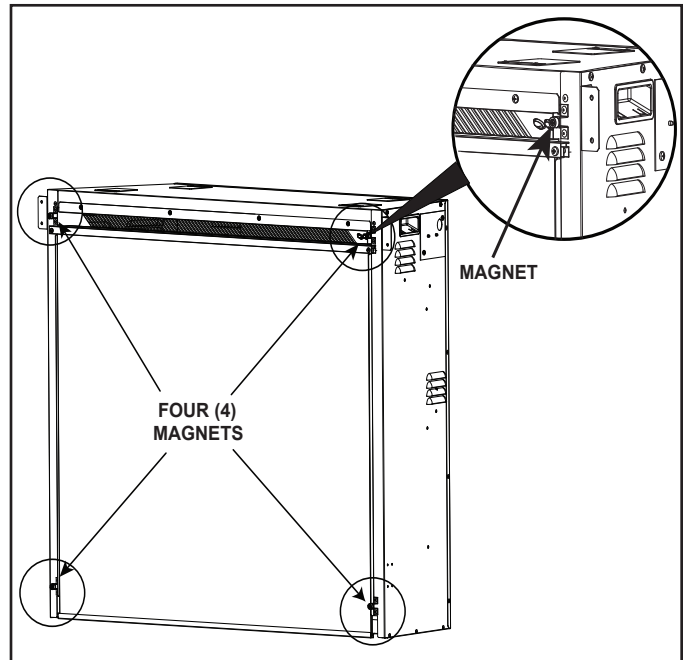


Figure 2

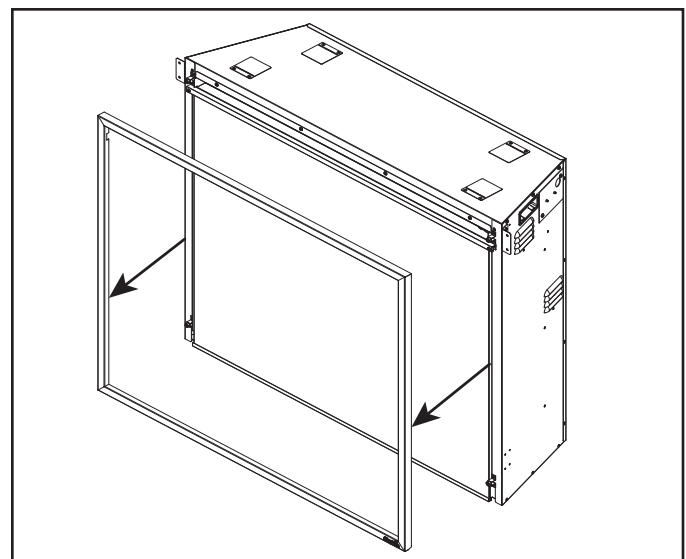


Figure 3

Front Installation Instructions

2. Install the new front by aligning the notches on the back side with the glass C-channel located on the top face of the appliance. See Figure 4. Press evenly with two hands to fully engage the front the four (4) appliance magnets. See Figure 2 and 5.

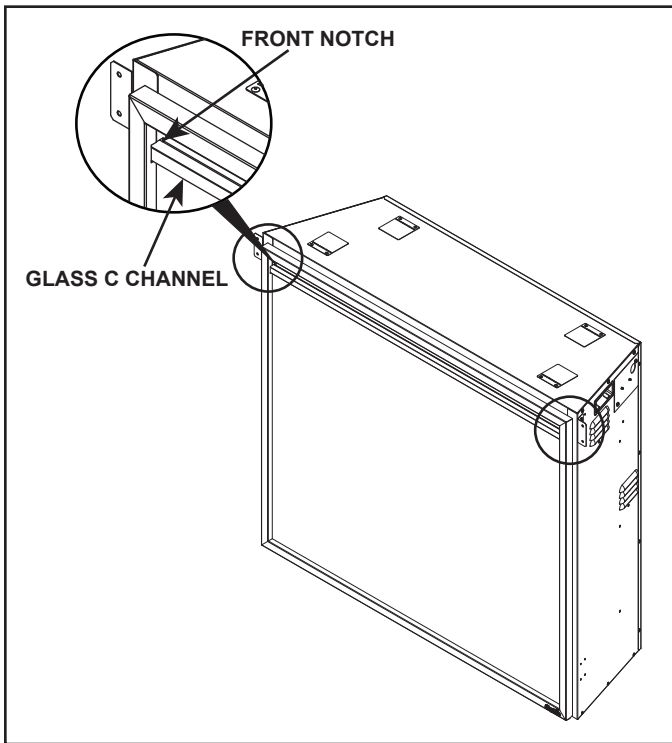


Figure 4

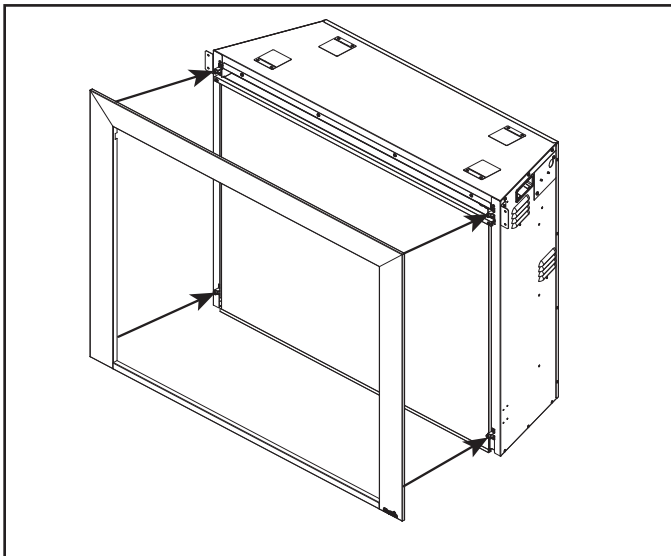


Figure 5

SimpliFire, a brand of Hearth & Home Technologies
7571 215th Street West, Lakeville, MN 55044
www.hearthnhome.com