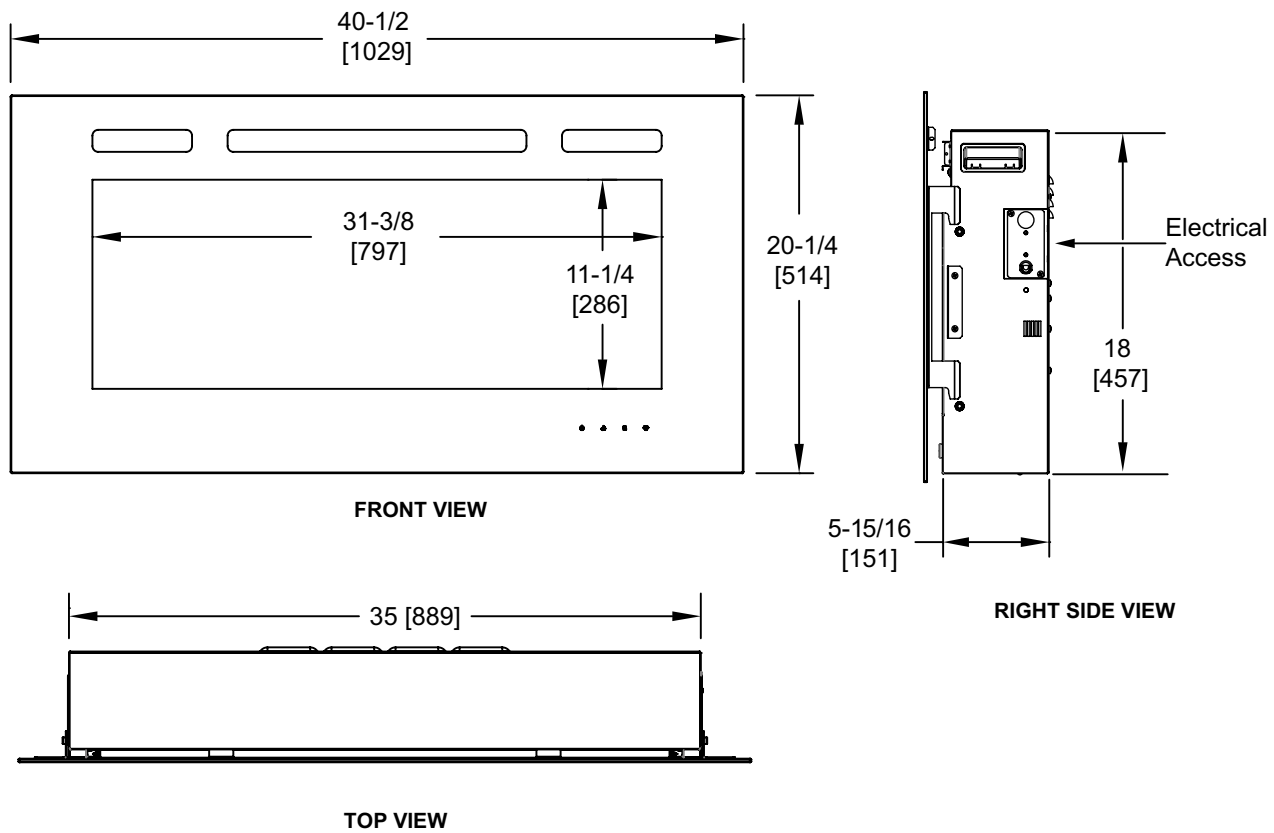




Please consult the manufacturer's installation manual for all details and requirements before making a final design layout decision.

Allusion 40" Recessed Linear Electric Fireplace

MODEL	FRONT WIDTH		BACK WIDTH		FRONT HEIGHT		BACK HEIGHT		DEPTH		VIEWING AREA
	Actual	Framing	Actual	Framing	Actual	Framing	Actual	Framing	Actual	Framing	
SF-ALL-40-BK	40-1/2" [1029]	36" [914]	35" [889]	36" [914]	20-1/4" [515]	18-3/8" [467]	18" [457]	18-1/8" [461]	5-15/16" [151]	2x6 or 2x4	31-3/8" x 11-1/4" [797 x 286]



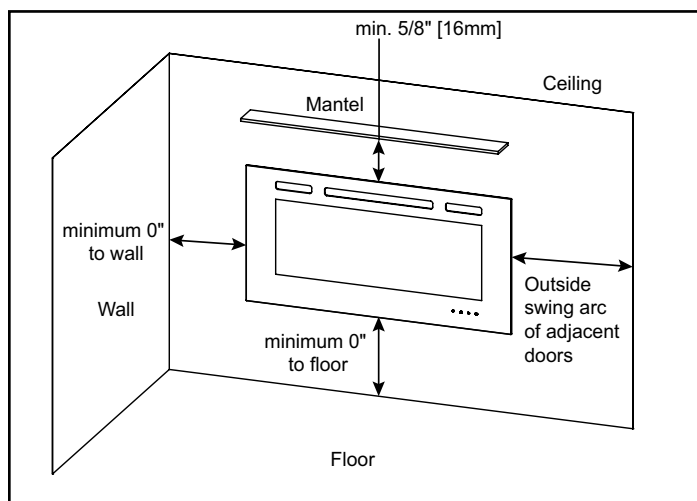
ELECTRICAL CONNECTION REQUIREMENTS

CIRCUIT	CONNECTION METHOD	BTUS
15 AMP, 120V/60 Hz	Hardwire or plug-in	5,000

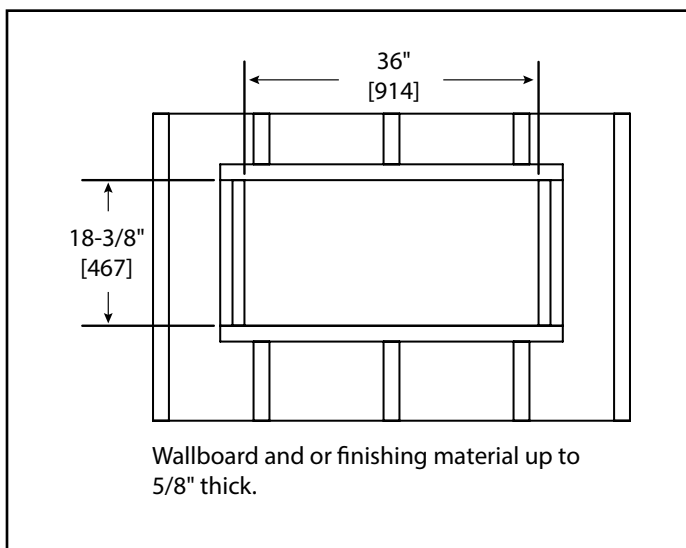
MINIMUM CLEARANCES TO COMBUSTIBLES

AREA	CLEARANCES
SIDES	0"
FLOOR	0"
TOP TO MANTEL	5/8" [16]
BACK	0"
FRONT	36" [914]

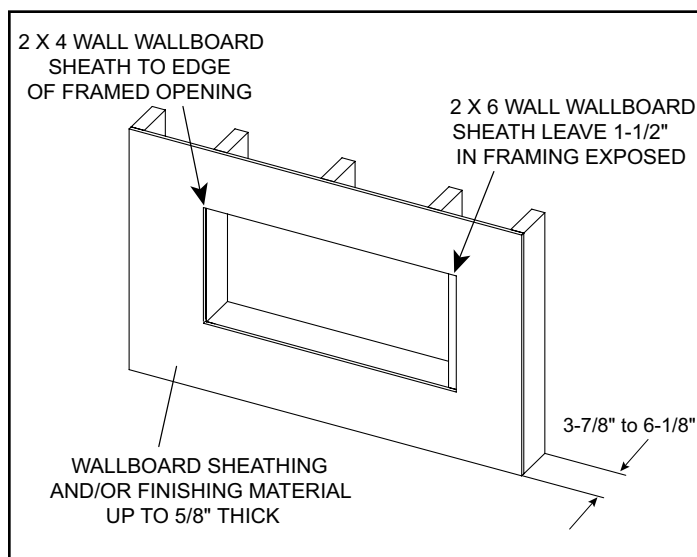
APPLIANCE LOCATION



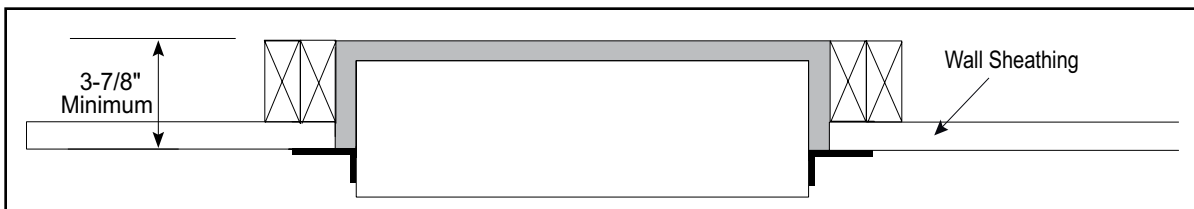
FINISHING DIMENSIONS



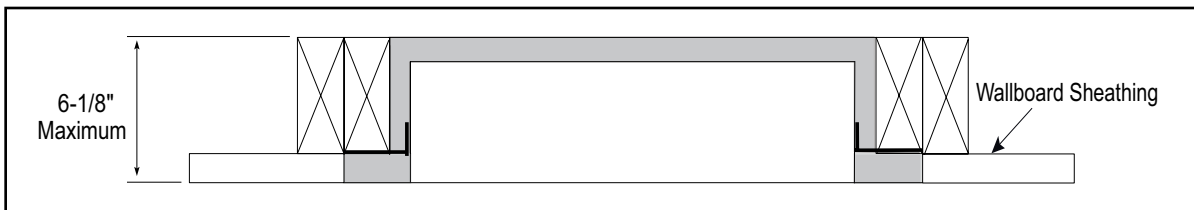
WALLBOARD SHEATHING



RECESSED 2 X 4 WALL



RECESSED 2 X 6 WALL



PRODUCT LISTING CODES	
US	CSA 22.2 No 46-M1988
INTERNATIONAL	CSA 22.2 No 46-M1988

Product information provided is not complete and is subject to change without notice. Product installation must adhere strictly to instructions accompanying product to avoid risk of fire and potential injury.



SimpliFire — A Brand of Hearth & Home Technologies
 7571 215th Street West | Lakeville, MN 55044
 888-427-3973 | 952-985-6000 | fireplaces.com