



## Providence Fire Pit

Installation Instructions for All Providence  
Fire Pit Models and Top Styles



# Contents

|  |     |
|--|-----|
| Package Contents and Required Tools..... | 3   |
| Placing and assembling the Table....     | 4-7 |
| Gas                                      |     |
| Connection.....                          | 8   |
| Igniter                                  |     |
| Installation.....                        | 9   |
| Locating Propane tank.....               | 11  |
| Finishing Touches.....                   | 12  |

## Required Tools



- **2 Open Ended Wrenches**

To make gas connections



- **Leather Gloves**

To protect hands from rough edges found on the coffee table.



- **One (1) AAA Battery (not included)**

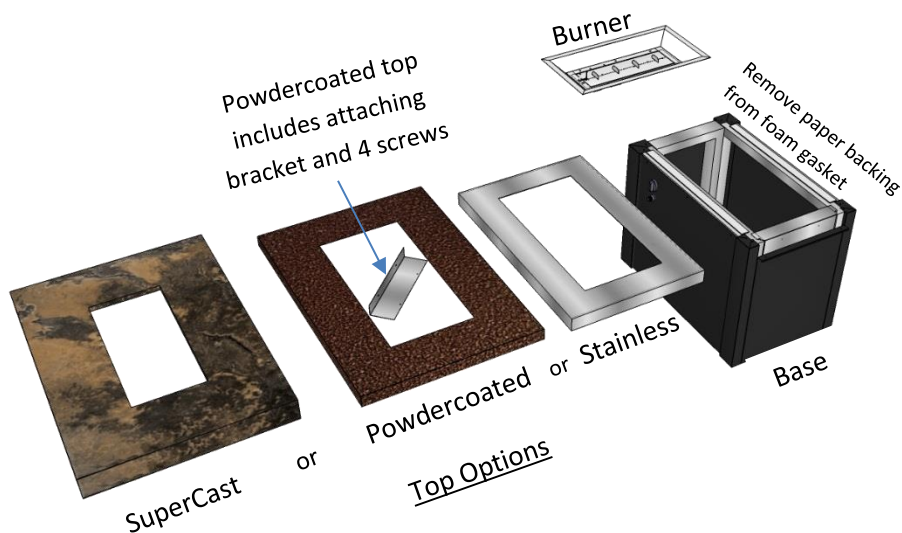
Required for piezoelectric igniter installation.



- **Electric Screw Gun with Philips tip**

(used for metal tops excluding brushed stainless model)

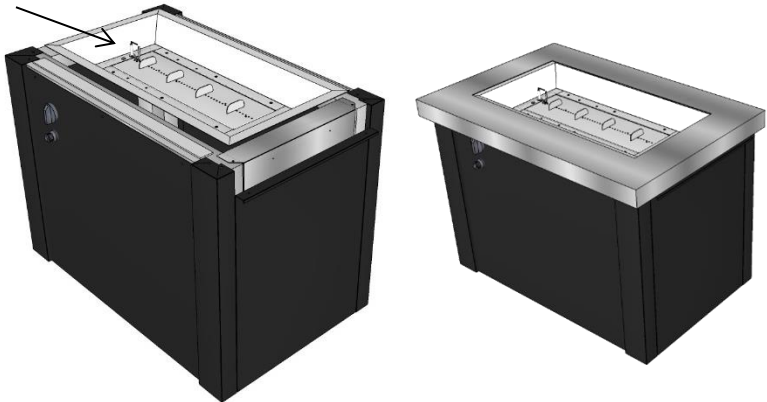
## Included in packaging



## Placing and Assembling the Fire Pit table (STAINLESS STEEL TOP)

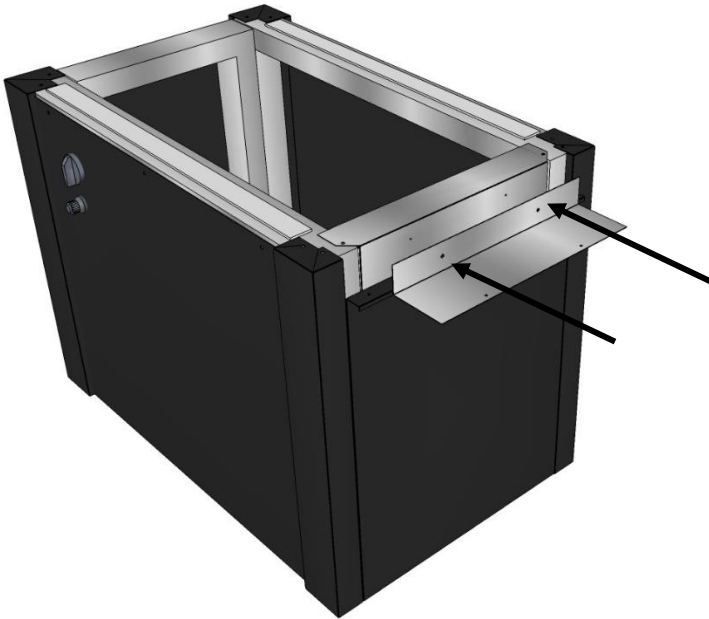
1. Remove all components from packaging.
2. Move the base (remove door) to desired location and set into place.
3. When locating your coffee table, refer to the manual included with your burner and maintain clearance to combustibles.
4. Set burner into place with the igniter at the opposite end from the door of the fire pit. See the section labeled Gas Connection and Igniter Installation to install gas lines and piezoelectric igniter , then set the stainless steel top into place on TOP of the burner.

Igniter



## Placing and Assembling the Fire Pit table (Silver and Copper Vein Powdercoated Tops)

1. Remove all components from packaging.
2. Move the base (remove door) to desired location and set into place.
3. When locating your coffee table, refer to the manual included with your burner and maintain clearance to combustibles.
4. This model utilizes a metal bracket to keep the top from sliding around during windy conditions or when bumped. Place the bracket on the door-side of the fire pit as shown and line holes up. Insert two screws as shown.



5. Set burner into place with the igniter at the opposite end from the door of the fire pit. See the section labeled Gas Connection and Igniter Installation to install gas lines and piezoelectric igniter , then set the metal top into place on TOP of the burner.

6. The underside of this top has two screw holes. Rotate the top to match these up with the previously installed tab, set the top onto the base, and slide the mounting bracket up and under the lip of the powdercoated top. Line up screw holes and insert two screws at shown.



## Placing and Assembling the Fire Pit table (Marbelized SuperCast top)

1. Remove all components from packaging.
2. Move the base (remove door) to desired location and set into place.
3. When locating your table, refer to the manual included with your burner and maintain clearance to combustibles.
4. With the help of another person, carefully set the SuperCast top into place on the base and center it.
5. Set burner into place. See the section labeled Gas Connection and Igniter Installation to install gas lines and piezoelectric igniter

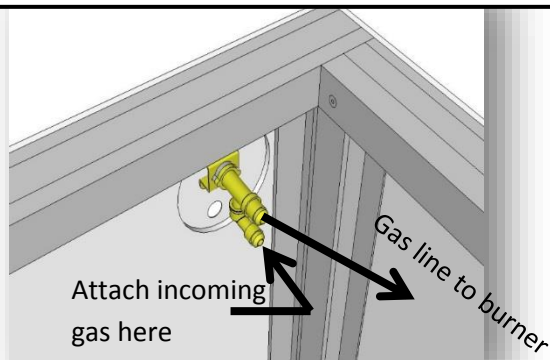


**Read and understand your Crystal Fire owner's manual before beginning burner hookups or using the device.**

## Gas Connection

1. Remove stainless steel top (if applicable) and lift burner out of base to expose control valve.
  2. Connect the incoming gas hose to the valve and using two wrenches tighten securely. Repeat with flexible metal gas line from the valve to the underside of burner. It is not recommended to use Teflon tape or pipe dope on the connection to the valve with flare fittings.
- LPG installations use the hose and regulator provided with the burner.
  - For Natural Gas hookup information and any other info not listed here consult your Crystal Fire owner's manual.

NOTE: Check for proper orifice size for the type of gas you are using. NATURAL GAS: #31 , LIQUID PROPANE: #43 (orifices are screwed into the end of the burner "neck" and have their size stamped on the outside)



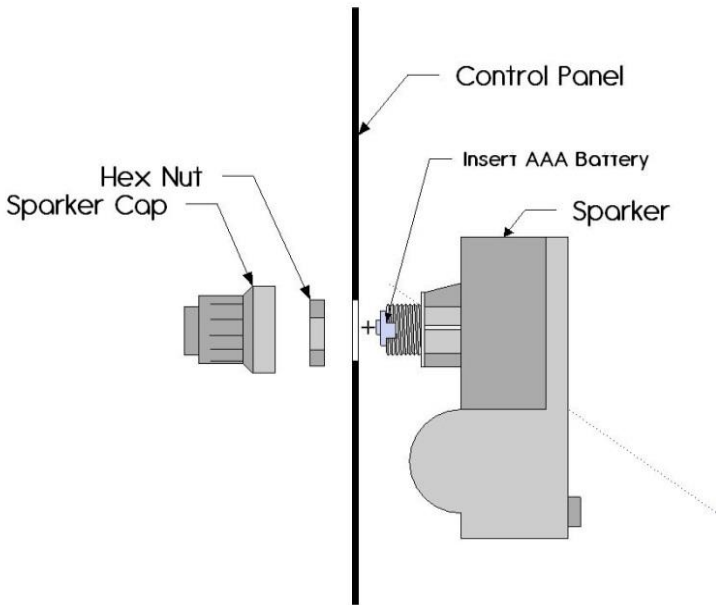


# Igniter Installation

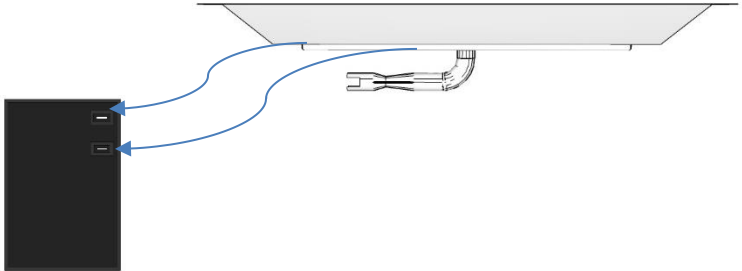
1. Make sure the valve is in the OFF position



2. Unscrew sparker cap and hex nut.  
Install as shown below.



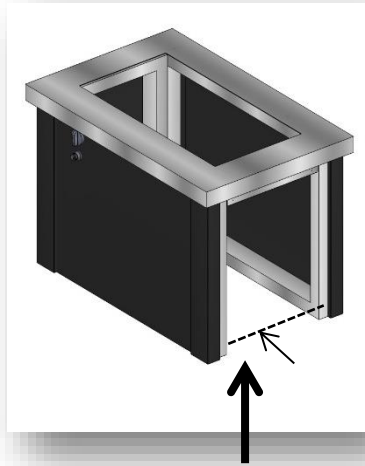
3. To properly install ignition system, a spark and ground wire need to be attached to the igniter box.
  - Make sure both black wires attached to the burner are securely plugged into the backside of the sparker box as shown.



- Ensure that an AAA battery is installed in the sparker box with the positive (+) side facing outward. Test system by depressing the button on the igniter. A continuous repeating spark between the igniter electrode and spark-receiving probe means everything is connected properly. Consult the troubleshooting section of burner owner's manual if spark is weak, intermittent, or not present.
4. Once ignition system is grounded and gas connections are secured and checked for leaks, set the burner back into its original position and replace stainless steel top if applicable.

# Locating your Tank

1. Your tank should be positioned so that the fuel can be shut off after each use.
2. Slide the tank into the framework past the line shown below. This is to allow the door to close completely.
3. Confirm all hoses are clear and not touching the burner.



Position tank behind this line

- Install door by setting the bottom on the catching hooks first and then closing. Magnets in the table will hold door closed.

## Finishing touches

Once fire pit is set up and in the desired position, scatter decorative glass on burner surface forming an even layer of beads.

- **DO NOT BURN WITHOUT GLASS OR OTHER DECORATIVE SUBSTRATE PRESENT**

### **IMPORTANT**

Please consult your Crystal Fire instruction manual for detailed instructions and important information related to hooking up your linear burner, including safety information, proper tightening of connections with two wrenches and full burner setup and lighting instructions.

**DO NOT ATTEMPT TO INSTALL CF-1224 BURNER WITHOUT FIRST CONSULTING THE MANUAL. IF YOU ARE UNSURE OF HOW TO COMPLETE THE STEPS OUTLINED, CONSULT A QUALIFIED TECHNICIAN**

### **WARNING**

After consulting the manual and following instructions, remember; before operating, all gas connections must be fully checked for leaks

**Warranty:** Fire pit tables are covered under a 1-year manufacturer's warranty. Please visit <http://www.outdoorrooms.com/warranty-form> to register your product.





© 2014 The Outdoor GreatRoom Company

14400 Southcross Drive West • Suite 100 • Burnsville, MN 55306  
Toll Free: 1-866-303-4028 • [Sales@OutdoorRooms.com](mailto:Sales@OutdoorRooms.com)