

ALLURE™ PHANTOM SERIES ELECTRIC FIREPLACE

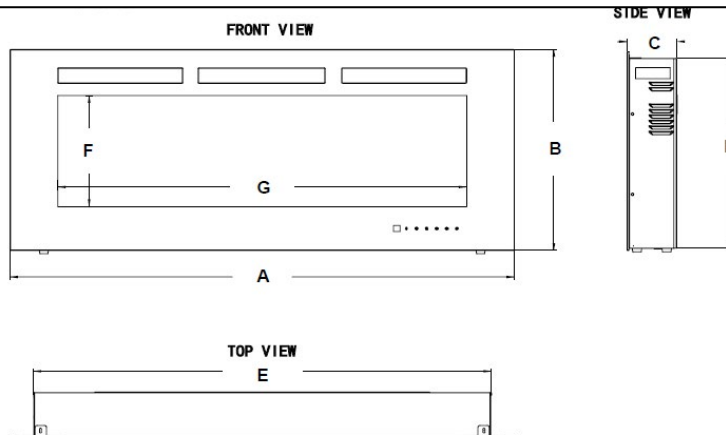
Specifications

Model	BTU	Width		Height		Depth		Glass
		Actual	Framing	Actual	Framing	Actual	Framing	
NEFL42FH-MT	5,100	42	38	21 5/8	21	5 1/3	N/A	21 1/8 X 42
NEFL50FH-MT	5,110	50	45 15/16	21 5/8	21	5 1/3	N/A	21 1/8 X 50
NEFL60FH-MT	5,110	60	55 13/16	21 5/8	21	5 1/3	N/A	21 1/8 X 60

Overview



Dimensions



LISTING APPROVALS

This appliance has been tested in accordance with the CSA Standards for fixed and location-dedicated electric room appliances in the United States and Canada. If you need assistance during installation, please contact your local dealer.

NOTE: This appliance must be electrically wired and grounded in accordance with local codes or, in the absence of local codes, with National Electric Code ANSI/NFPA 70-latest edition in the United States or the Canadian Electric Code, CSA C22.1 in Canada.

MODEL NUMBER	DIMENSIONS						
	A	B	C	D	E	F	G
NEFL42FH-MT	42" (1067mm)	21 5/8" (550mm)	5 1/3" (136mm)	20 1/2" (520mm)	37 1/2" (951mm)	12" (304mm)	32 8/16" (827mm)
NEFL50FH-MT	50" (1270mm)	21 5/8" (550mm)	5 1/3" (136mm)	20 1/2" (520mm)	45 7/16" (1154mm)	12" (304mm)	40 1/2" (1030mm)
NEFL60FH-MT	60" (1524mm)	21 5/8" (550mm)	5 1/3" (136mm)	20 1/2" (520mm)	55 5/16" (1405mm)	12" (304mm)	50 5/8" (1287mm)

ALLURE™ PHANTOM SERIES ELECTRIC FIREPLACE

Clearances

Minimum Fireplace Clearances

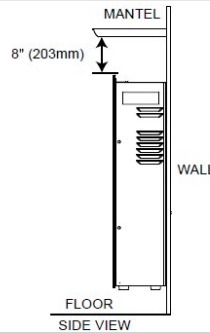
MINIMUM CLEARANCE TO COMBUSTIBLES

Measurements are taken from the mesh trim front.			
Bottom	0"	Top	8" (203mm) to mantel
Sides	0"	Top	8" (203mm) to ceiling
Back	0"		

MINIMUM MANTEL CLEARANCES

⚠ WARNING

WHEN USING PAINT OR LACQUER TO FINISH THE MANTEL, THE PAINT OR LACQUER MUST BE HEAT RESISTANT TO PREVENT DISCOLOURATION. LIGHTER COLOURED PAINTS/LACQUERS MAY DISCOLOUR.



W415-2172 / 08.08.16

Framing

MODEL NO.	A	B
NEFL42FH-MT	21" (535mm)	38" (965mm)
NEFL50FH-MT	21" (535mm)	45 15/16" (1166mm)
NEFL60FH-MT	21" (535mm)	55 13/16" (1418mm)

Appliance Installation

RECESSING THE APPLIANCE INTO THE WALL

Due to the many different finish materials used on walls, it is highly recommended that you consult your builder before you install this appliance in the wall.

Select a location that is not prone to moisture and is located at least 36" (914mm) away from combust materials such as curtain drapes, furniture, bedding, paper etc.

- A. Measure the appliance and create a rough in with electrical.
- B. Remove the mesh trim, refer to "MESH TRIM FRONT REMOVAL" section.
- C. Hold the appliance up to ensure it will fit into the framing.
- D. If the appliance is fully recessed into the wall:
 - Bend the two top tabs upward on the mesh trim front, Figure 4.
 - Use the 6 screws (provided) to lock the appliance into the wall with the existing two side flanges, see Figure 2.
 - Install the media and reinstall the mesh trim front.
- E. If partial recess into the wall:
 - Use the two mounting brackets (supplied) to lock the appliance to the wall, see Figure 3.

NOTE: It is recommended the walls of the appliance enclosure be finished (ie. drywall) to avoid exposed insulation or vapour barrier coming in contact with the appliance. This will ensure clear to combustibles is maintained.

FIG 2

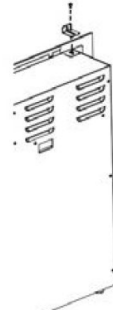
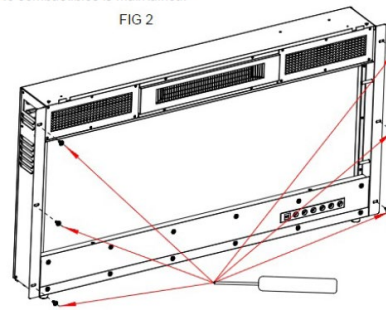


FIG 3

Product information provided is not complete and is subject to change without notice. Please consult the installation manual for the most up to date installation information.