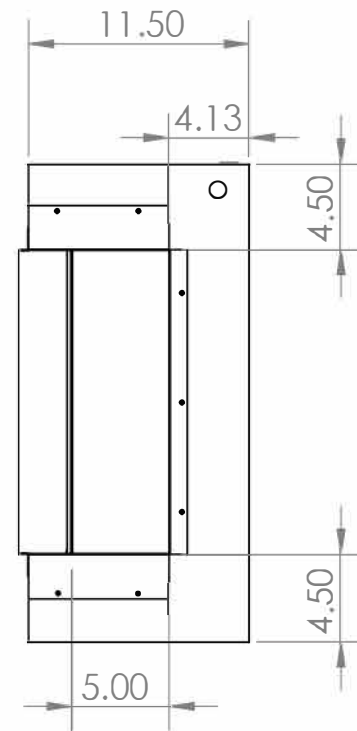
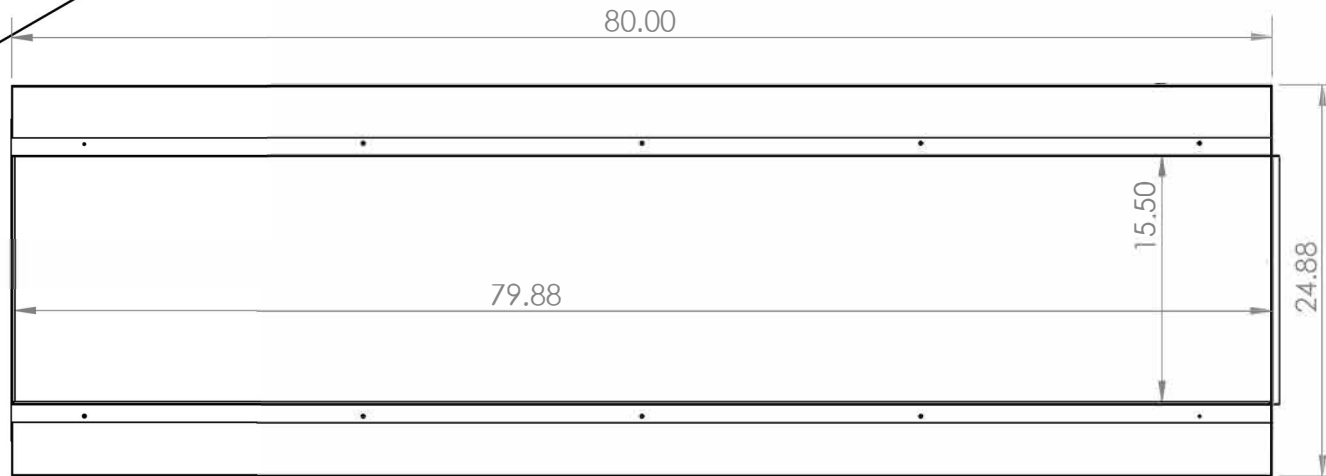
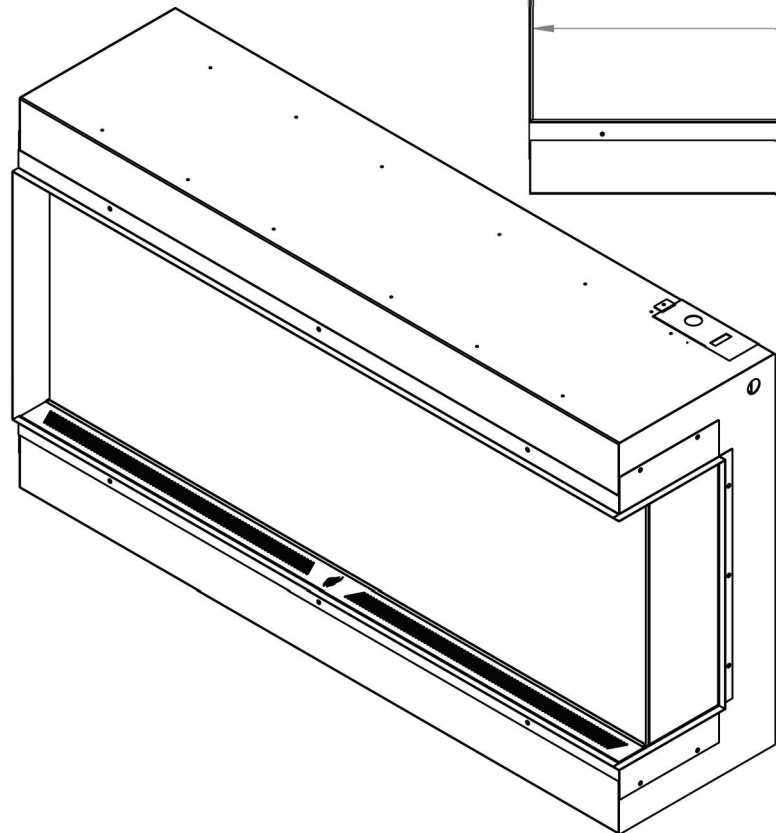
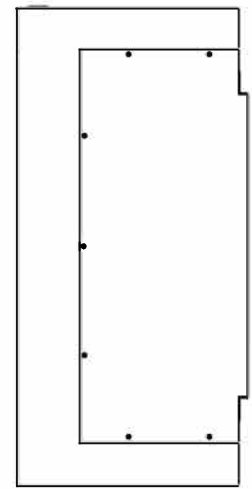
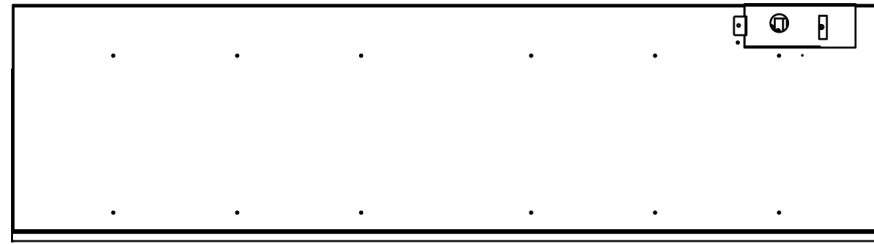
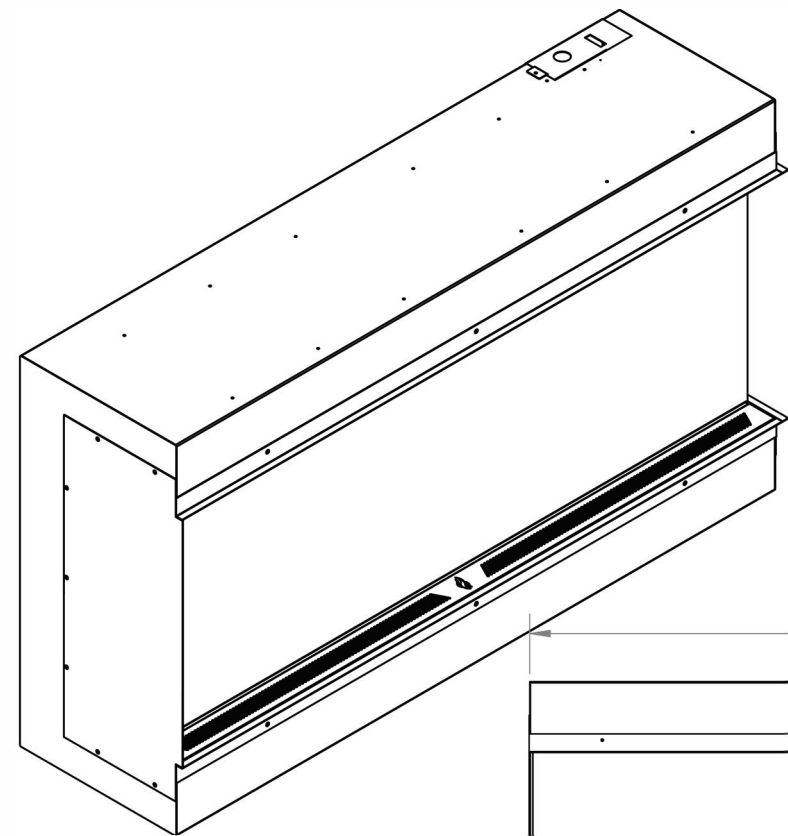




MODERN  FLAMES

LANDSCAPE PRO MULTI  
ELECTRIC FIREPLACE



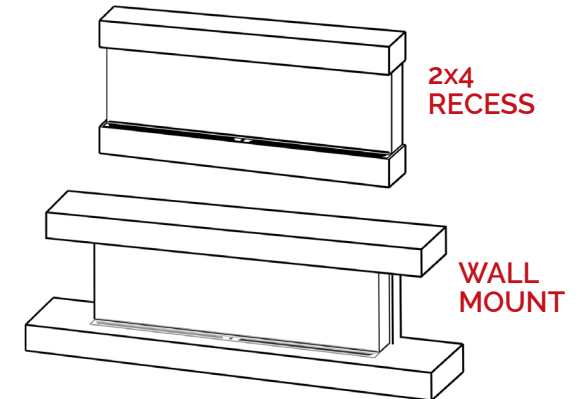
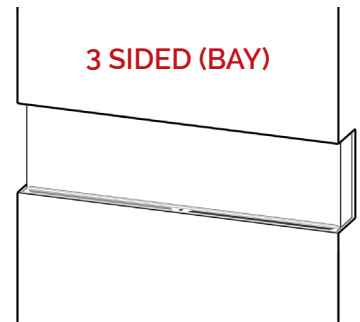
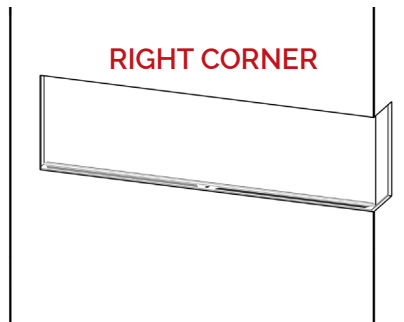
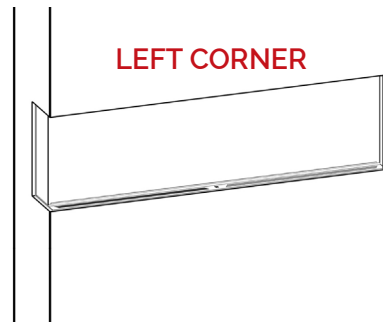
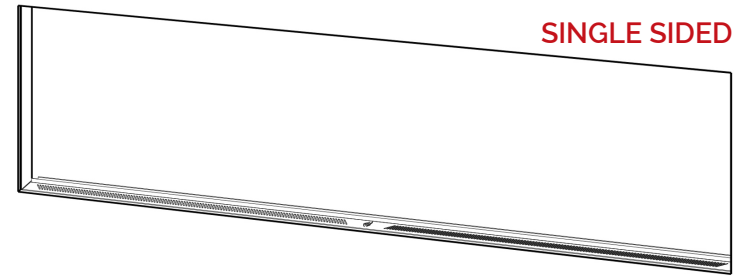


		UNLESS OTHERWISE SPECIFIED:	NAME	DATE	TITLE:
		DIMENSIONS ARE IN INCHES	DRAWN		
		TOLERANCES:	CHECKED		
		FRACTIONAL $\pm$	ENG APPR.		
		ANGULAR: MACH $\pm$ BEND $\pm$	MFG APPR.		
		TWO PLACE DECIMAL $\pm$	Q.A.		SIZE DWG. NO. REV
		THREE PLACE DECIMAL $\pm$	COMMENTS:		
		INTERPRET GEOMETRIC TOLERANCING PER:			
		MATERIAL			
NEXT ASSY	USED ON	FINISH			
APPLICATION		DO NOT SCALE DRAWING	SCALE: 1:10 WEIGHT: SHEET 1 OF 1		

**Multiview80**

# MULTI INSTALLATIONS - UP TO 20 DIFFERENT CONFIGURATIONS

- BUILT-IN/ CLEAN FACE INSTALLATION
- WALL MOUNT INSTALLATION
- PARTIAL RECESS INSTALLATION (2x4 WALL)
- FLOATING WALL CABINET
- FLOOR CABINET
- SINGLE SIDED
- LEFT CORNER
- RIGHT CORNER



MODEL & CONFIGURATION		VIEWING AREA			FIREBOX DIMENSIONS					
MODEL #	CONFIGURATION	A FRONT GLASS WIDTH	B SIDE GLASS WIDTH	C GLASS HEIGHT	D OVERALL WIDTH	E OVERALL HEIGHT	F OVERALL DEPTH	G BOTTOM TO VIEWING	H TOP TO VIEWING	I BACK TO VIEWING
<b>LPM-4216</b>	SINGLE SIDED	43.875"	-	15.5"	44"	24.875"	11.5"	4.5"	4.5"	-
	CORNER (L/R)	43.875"	5	15.5"	44"	24.875"	11.5"	4.5"	4.5"	4.125"
	3-SIDED (BAY)	43.875"	5	15.5"	44"	24.875"	11.5"	4.5"	4.5"	4.125"
<b>LPM-5416</b>	SINGLE SIDED	55.875"	-	15.5"	56"	24.875"	11.5"	4.5"	4.5"	-
	CORNER (L/R)	55.875"	5	15.5"	56"	24.875"	11.5"	4.5"	4.5"	4.125"
	3-SIDED (BAY)	55.875"	5	15.5"	56"	24.875"	11.5"	4.5"	4.5"	4.125"
<b>LPM-6616</b>	SINGLE SIDED	67.875"	-	15.5"	68"	24.875"	11.5"	4.5"	4.5"	-
	CORNER (L/R)	67.875"	5	15.5"	68"	24.875"	11.5"	4.5"	4.5"	4.125"
	3-SIDED (BAY)	67.875"	5	15.5"	68"	24.875"	11.5"	4.5"	4.5"	4.125"
<b>LPM-7816</b>	SINGLE SIDED	79.875"	-	15.5"	80"	24.875"	11.5"	4.5"	4.5"	-
	CORNER (L/R)	79.875"	5	15.5"	80"	24.875"	11.5"	4.5"	4.5"	4.125"
	3-SIDED (BAY)	79.875"	5	15.5"	80"	24.875"	11.5"	4.5"	4.5"	4.125"

