



THE OUTDOOR  
GREATROOM  
COMPANY

## Brooks 20 Fire Pit Table

Installation Instructions for Round Brooks Fire Pit Table  
BRK-20-19



# IMPORTANT

Please consult your Crystal Fire instruction manual for detailed instructions and important information related to the burner installation including: lighting and operating instructions, safety information, and proper tightening of connections with two wrenches.

**DO NOT ATTEMPT TO INSTALL CRYSTAL FIRE BURNER WITHOUT FIRST CONSULTING THE CRYSTAL FIRE OWNER'S MANUAL.**

## Contents

Required Tools.....	2
Included with your Fire Pit.....	3
Assembly Instructions.....	4
CF-SPARKER Installation.....	5
Gas Connections.....	6
Thermocouple Installation.....	7
Electrode Installation.....	7
Glass Installation.....	8
Positioning Tank.....	9
Riser Kit Installation.....	10

## Required Tools



- Utility Knife

To cut and remove packaging



- 2 Open Ended Wrenches

To secure gas connections



- Leather Gloves

To protect hands from glass and sharp edges during install



- One AAA Battery (not included)

Required for electric spark igniter installation



- Phillips Screwdriver

To attach mounting screws to control panel



- **Two people are required for this installation**

# Included with your Fire Pit



Bolt Caps  
[X4]

Touch-Up  
Paint Bottle



[X1]

CFP20 Burner



Bolt A [X4]



M6X20



M6 Allen  
Wrench [X1]



Optional Riser Kit:  
Required to fit 20# propane tank  
under table



Top [X1]

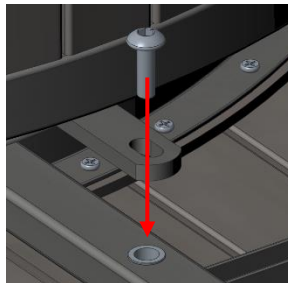
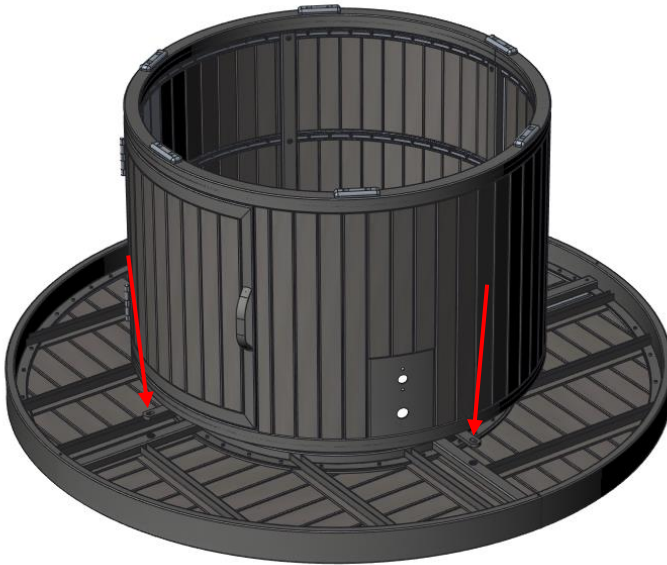


Base [X1]

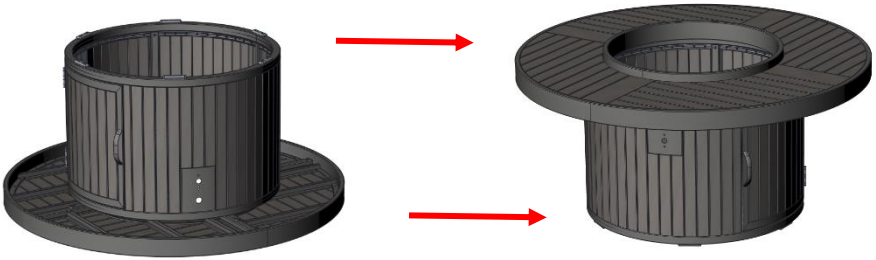
# Assembly Instructions

**INSTALL NOTE:** Final tightening of bolts should be completed following installation of table.

1. Unpack all the contents from the box and remove the individual packaging from each component. Remove 4 pre-installed bolts (Bolt A) from the underside of the Top.
2. Carefully lay the Top, with underside facing upwards, on a soft and flat surface. Attach Base using Bolt A (x4) as shown below.

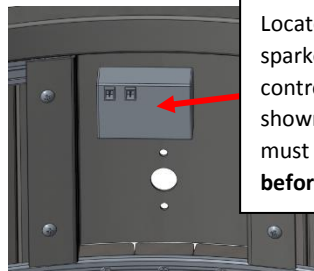
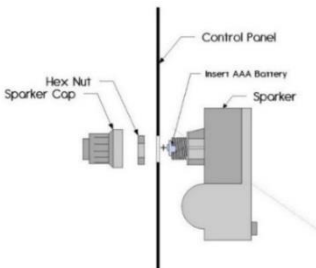


3. Do a final tightening of the bolts you have installed in your fire pit. Then, with the help of another person, turn the table right side up.



## CF-SPARKER Installation

- Locate CF-SPARKER inside of Crystal Fire Plus burner box.
- Remove CF-SPARKER cap and hex nut. Insert AAA battery (not included) with + end out.
- Install CF-SPARKER into control panel as shown below.
- Depress CF-SPARKER button to test your sparker.

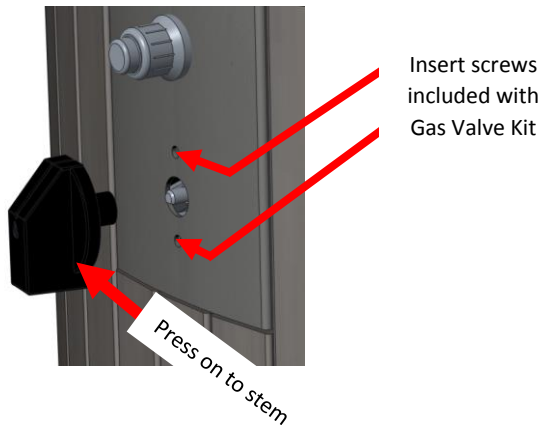
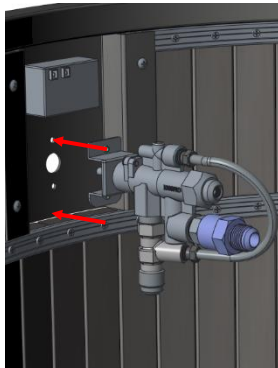


Locate and orient sparker box on control panel as shown. Sparker box must be installed **before** burner valve.

# Gas Connections

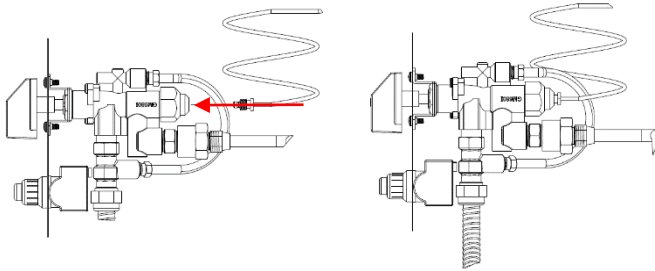
**Read and understand your Crystal Fire Plus owner's manual before beginning burner hookups or using the device. Do not use Teflon tape or pipe dope on flare fittings.**

- **See Crystal Fire Plus instructions for burner installation.**
  - All gas connections were completed at the factory.
- Check all connections for leaks. If needed, tighten connection with 2 wrenches and re-check for leaks.
- Attach burner valve to control panel with provided screws as shown below. Ensure sparker box is installed before this step.



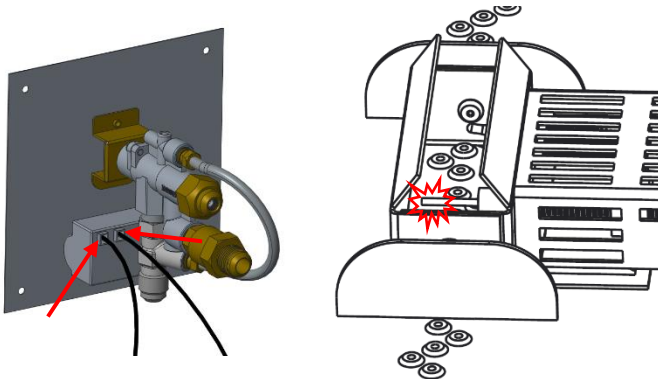
# Thermocouple Installation

- Refer to **Crystal Fire Plus instruction manual** for detailed attachment of thermocouple.
- Attach thermocouple to burner valve as shown below.



# Electrode Installation

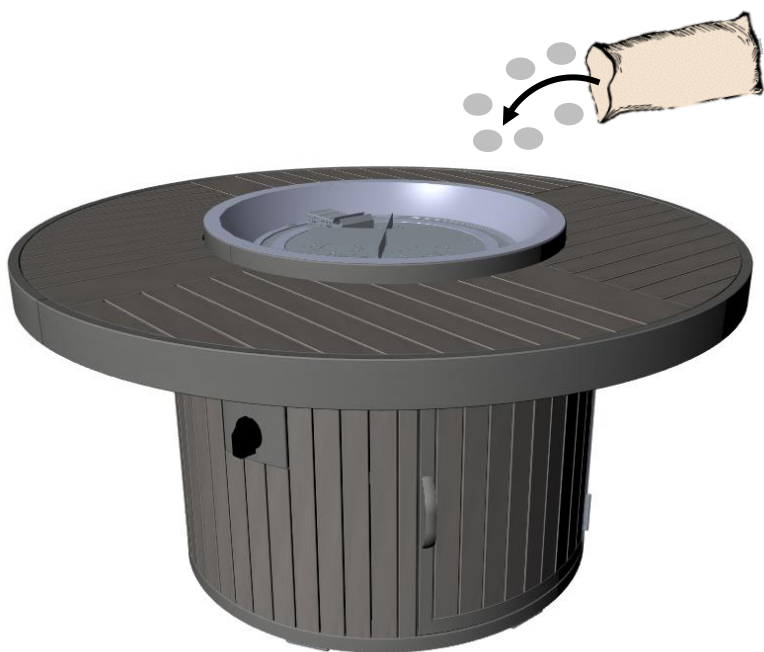
- Plug both **BLACK** wires hanging from the burner into the back of the CF-SPARKER. If an orange wire is present, do not use it. The orange wire is for Direct Spark Ignition system only.
- Test system by pushing the button on the igniter. Consult the troubleshooting section of the Crystal Fire Plus Burner Owner's Manual, if the spark is weak, intermittent, or not present.



# Glass Installation

1. Scatter all of the included Glass Beads evenly onto burner surface.

**DO NOT OPERATE CRYSTAL FIRE BURNER WITHOUT GLASS BEADS OR OTHER DECORATIVE MEDIA PRESENT**



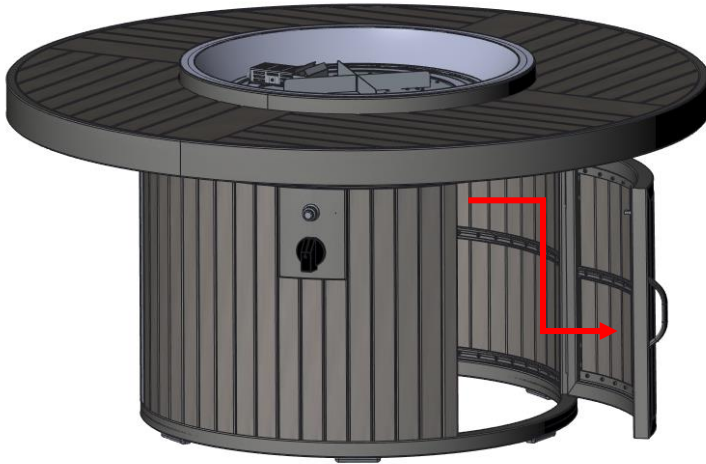
**DO NOT OPERATE CRYSTAL FIRE BURNER WITH GLASS COVER IN PLACE (NOT INCLUDED)**



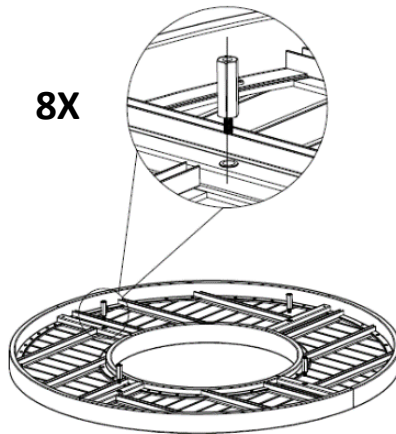
After installing igniter and making gas connections, verify that all connections are tight and that no leaks are present using a solution of soapy water or a commercially available leak-check solution.

## Position Your Tank (if applicable)

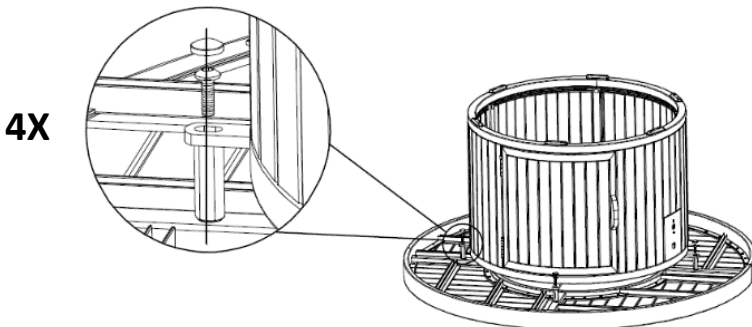
1. Open the hinged Access Door on side of the base. Connect the propane hose/regulator to the propane tank and hand tighten (DO NOT USE A WRENCH) and slide the propane tank into the base and ensure the Access Door closes properly.
2. With the tank inside, **ensure that no hoses, wires, or any other components are kinked or touching the burner pan.**



# Riser Kit Installation



1. Combine spacers by screwing (4) spacers into (4) remaining spacers. Screw (4) spacer assembly into threads



2. Place base, upside-down, onto spacers on the underside of the table surface
3. Secure base to spacers using 4 screws (included with table packaging)

## IMPORTANT

Please consult your Crystal Fire instruction manual for detailed instructions and important information related to the burner installation including: lighting and operating instructions, safety information, and proper tightening of connections with two wrenches.

**DO NOT ATTEMPT TO INSTALL CRYSTAL FIRE BURNER WITHOUT FIRST CONSULTING THE CRYSTAL FIRE OWNER'S MANUAL.**

## WARNING

**After consulting the manual and following instructions, remember; before operating, all gas connections must be fully checked for leaks**

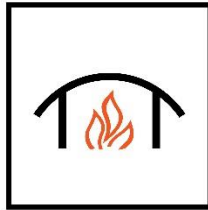


WARNING: This product can expose you to chemicals including Carbon Monoxide and Benzene which are known to the State of California to cause cancer or birth defects or reproductive harm. For more information, visit [www.P65Warnings.ca.gov](http://www.P65Warnings.ca.gov)

### Care and maintenance note:

Light scratches may be removed from the poly-wood surfaces of this fire pit by gently sanding with 220-grit sandpaper in the same direction as the grain. Sanding too deeply or not following the grain of the material could result in permanent damage.

**Warranty:** Fire pit tables are covered under a 1- year manufacturer's warranty. Please visit <https://www.outdoorrooms.com/product-registration> to register your product.



14400 Southcross Drive West • Suite 100 • Burnsville, MN 55306  
Toll Free: 1-866-303-4028 • [Sales@OutdoorRooms.com](mailto:Sales@OutdoorRooms.com)