



MOUNTAIN OFF ROAD ENTERPRISES, LLC.
P.O. BOX 690 DELTA COLORADO 81416
(877)533-7229
(888)698-5337 FAX
E-mail: info@mountainoffroad.com
www.mountainoffroad.com

INSTALLATION INSTRUCTIONS: Middle Skid Plate on Toyota 4 Runner 5th Generation



HARDWARE KIT:

- 1- Middle Skid Plate 1/4" Plate
- 4- 8mm x 1.25 x 60mm long Button Head Bolts
- 2- 8mm Button Head S.S. x 1.25 x 50mm long
- 6- 8mm Flat Washers
- 6- 8mm Lock Washers
- 2- 12mm thick 25mm OD x 12mm ID Bushings
- 4- 3/4" thick spacers

If you ordered all three skids, no hardware will be included in this kit because all the hardware needed will already be in the other two hardware kits.

Please read and understand all instructions before beginning the installation of the Skid Plate. Please read the terms and policies on the back of these instructions.

The **Toyota 4 Runner Middle Skid Plate** is designed to fit the following Toyota 4 Runner® Gen 5 vehicles: 2010 to Current.

STEP 1: Position skid plate over the transmission pan. Place the 12mm thick spacers between the crossmember and the skid plate, insert the 8mm x 1.25 x 50mm long button head bolts and washers in the front two holes. (see image 2) (see image 1 & 2 for bolt location)

STEP 2: Place the 4- 3/4" thick spacers between the crossmember and the skid plate, insert the 8mm x 1.25 x 60mm long bolts and washers in the rear two holes.

STEP 3: If you are installing the front middle and rear transfer case skid plate install in this order. Rear transfer case 1st then the middle skid plate next and the front last.

STEP 5: Tighten all 6 bolts tight.

Happy Trails

Image 1

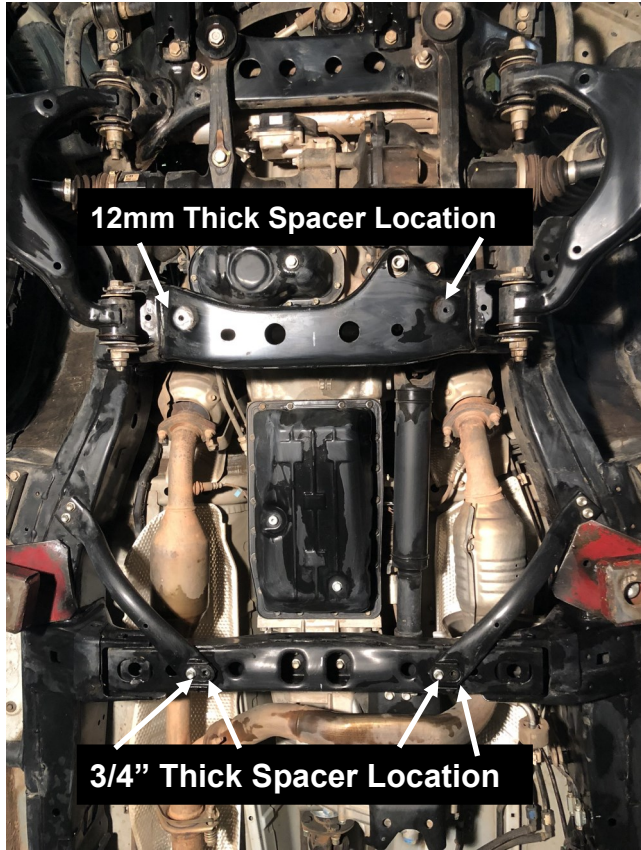
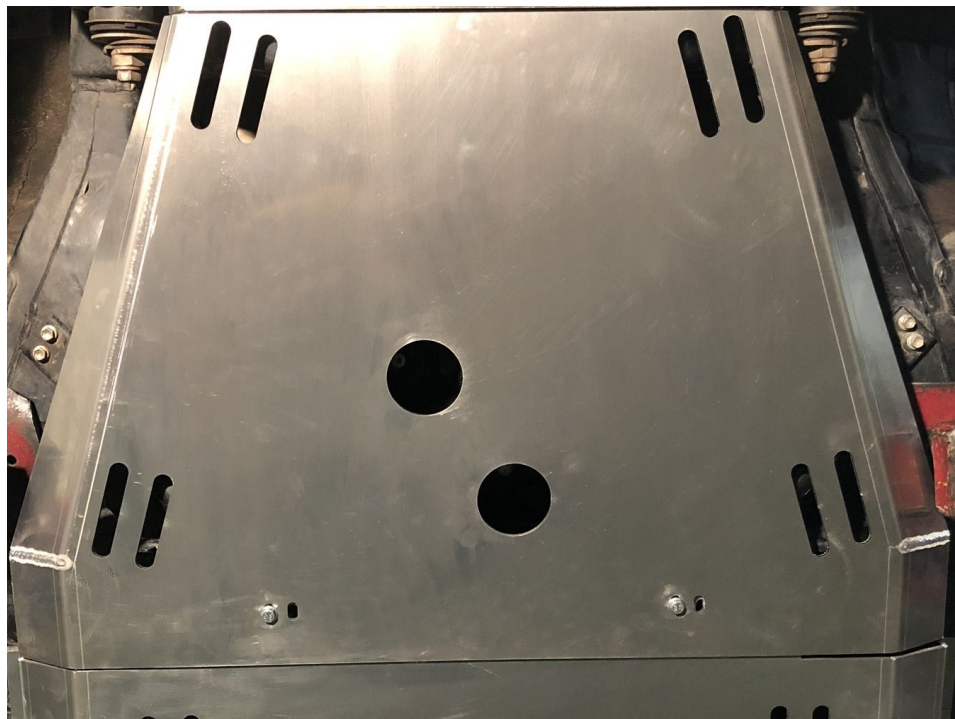
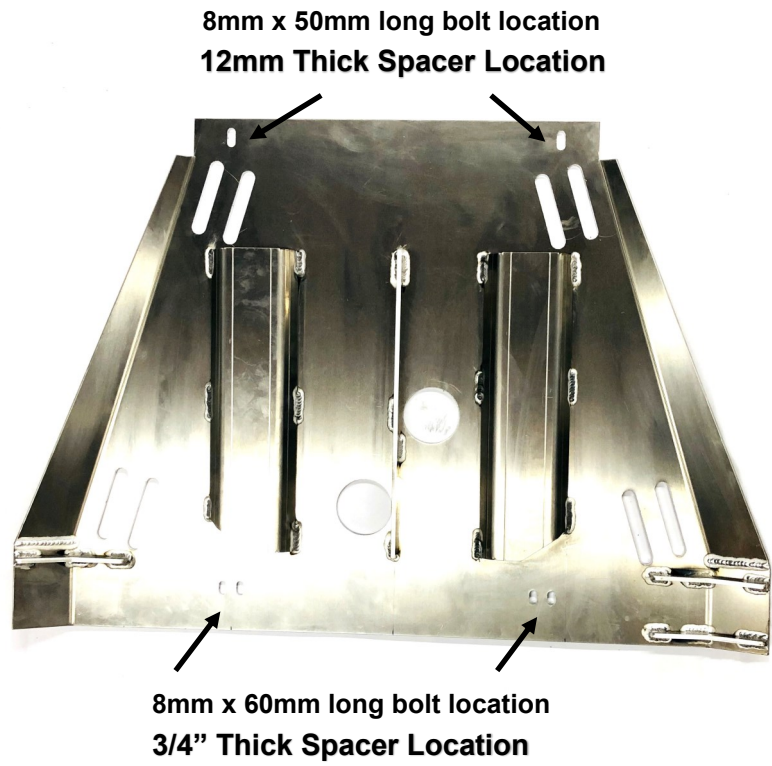


Image 2





TERMS-POLICIES:

FIT and **TOLERANCES:** This skid plate is the result of countless hours of research, testing, fitting and refining. Toyota® frames have a wide tolerance on bolt hole centers from frame to frame. This is why M.O.R.E.™ has installed “slots” in which to mount them. In addition to the factory tolerances, most people install other than factory equipment such as suspension lift kits, bumpers, etc. M.O.R.E.™ has done the best job we can to insure that our parts fit with all of the possibilities. However, you may find it necessary to grind, elongate, bend, or force these parts to fit on your rig. Please use common sense when installing these parts and let us know how we can improve them.

DAMAGE CLAIMS: All orders are carefully packed, however, mishandling by the carrier can result in damage. The carrier has the responsibility for the shipment from the time it leaves our warehouse until it is delivered to you. All claims for lost or damaged goods should be reported to the carrier, not to **M.O.R.E.™** LLC.

RETURNS: No returns will be accepted without prior permission from **M.O.R.E.™** LLC. After you receive a Return Goods Authorization (RGA) number, merchandise must be returned prepaid and insured. A claim must be made within 30 days from receipt of merchandise. The original invoice or a copy with the RGA number written on must accompany all returns. A 20% restocking fee will be charged on all parts returned for credit or refund unless merchandise is proven to be defective or was shipped wrong by **M.O.R.E.™** LLC. No merchandise will be issued credit or refund if it has been installed, modified, used in any way or is in unsalable condition.

WARRANTY: All merchandise is warranted to be free from defects in materials and workmanship prior to installation. Any alteration or improper use will void this warranty. Because all parts we sell are intended for use in heavy-duty applications it is not possible to warrantee or guarantee the performance of any items. **M.O.R.E.™** LLC. products and the products manufactured by others, which we sell may be subject to an infinite variety of conditions due to the manner in which they are used, serviced and/or installed. Purchasers and users of such products rely upon their own judgment as to the suitable use selection, service and installation of such products.

PRODUCT DISCLAIMER: Modification of your vehicle to enhance performance with parts sold by **M.O.R.E.™** LLC. may create a dangerous condition which could cause serious bodily injury, and the buyer hereby expressly assumes all risks associated with any such modifications. All parts sold by **M.O.R.E.™** LLC. are for racing or off road use only. Mountain Off Road Enterprises LLC. will not accept responsibility for personal injury or property damage arising from the failure of any parts manufactured or sold by **M.O.R.E.™** LLC.

Specifications are subject to change without notice.

Toyota®, 4 Runner®, Tacoma®, are registered trademarks of Toyota Motors. **M.O.R.E.™** is not affiliated with Toyota Motors

M.O.R.E.™, BombProof™, S.R.S.™, SlipLoc™, DoubleJointed™, RockProof™, are trademarks used by **Mountain Off Road Enterprises, LLC.** These instructions and the M.O.R.E.™ logo are copyright©, 1999-2019.