



MOUNTAIN OFF ROAD ENTERPRISES, LLC.
P.O. BOX 690, DELTA, COLORADO 81416
Phone: 877-533-7229
Fax: 888-698-5337
E-mail: info@mountainoffroad.com
www.mountainoffroad.com

INSTRUCTIONS for M.O.R.E.™ BLYJ8795 1" BODY LIFT KIT / SYSTEM



This M.O.R.E.™ One Inch Body Lift Kit fits 1987-1995 Jeep® YJ® Wrangler® vehicles with either 2.5L or 4.0L engines, with 5 speed manual transmissions, with or without air conditioning. This kit has been designed to fit on YJ Wrangler's that are stock (no suspension lift), or Wrangler's that have been lifted with aftermarket suspension lift kits up to 4". Please read all instructions and our Terms and Policies on page 2 before you begin installing this kit. Familiarize yourself with all components in this kit and the parts of your Jeep that you will be working on. Common hand tools are required and some knowledge of mechanical things are needed. This kit contains the following items:

<u>Quantity:</u>	<u>Description:</u>	<u>Size:</u>	<u>Location:</u>
11	Puck-Aluminum	2-1/4" x 1" 1/2" hole	All
5	Bolt	7/16" x 3-1/2"	1,5,6
6	Bolt	1/2" x 4-1/2"	2,3,4
5	Washer-Flat	7/16"	1,5,6
6	Washer-Flat	1/2"	2,3,4,

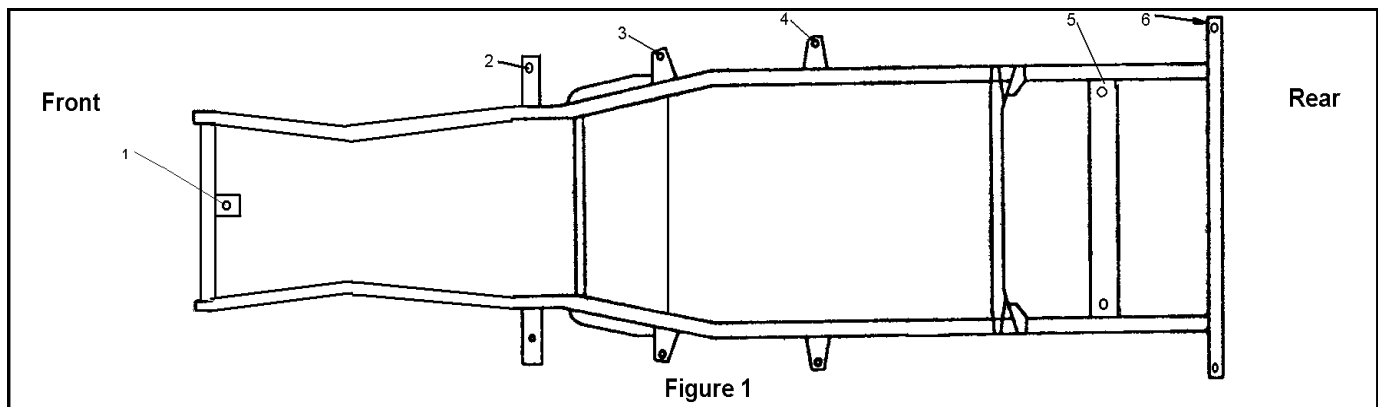


Figure 1

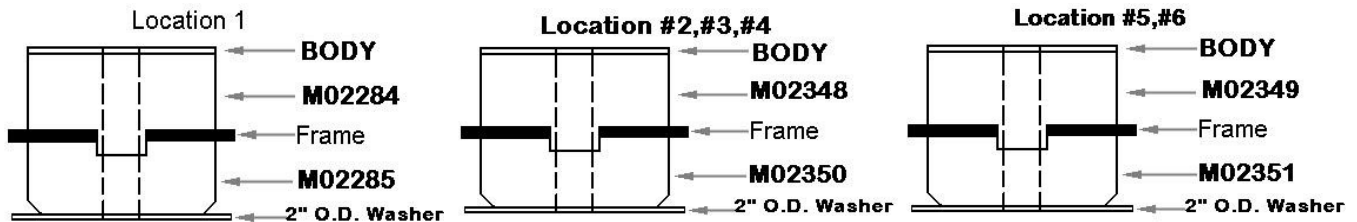
1. Remove the plastic front frame cover between the bumper and grille.
2. Remove the steel strip just in front of the grille that holds the steel brake line in place. Remove the two plastic clamps that locate the brake line to the steel strip and save them for later.
3. Remove the 4 bolts holding the shroud to the radiator.
4. Loosen but **DO NOT REMOVE** all 11 body to frame mounting bolts. Hint : The two hidden bolts are located behind the rear axle just in front of the fuel tank (location 5)
5. Remove the one bolt under the grille. Remove 5 bolts on the drivers side of the Jeep.
6. Place a stout piece of wood under the floor pan between body mounts 3 and the outside edge of the body. Jack up the body on the piece of wood just enough to place the 1" pucks on top of the rubber insulators. It is recommended that you use lock tight on the new longer bolts to keep them in place. Start the new longer bolts into the body but **DO NOT** tighten them at this time. Repeat this procedure on the passenger side of the body. Install one puck under the grille and start it's longer bolt.

7. After all of the pucks and longer bolts are in place, tighten the bolts. Use Your judgement as to how tight. Do not over tighten them, but do not leave them loose. Do not “crush” the rubber insulators.
8. Locate the front grille support that is welded on the round frame crossmember (location1). Drill two holes 3/16” in diameter on the top of this support about 3/4” in from the edge and just in front of the grille. Insert the two plastic clamps that you removed from the steel strip in step 2 in the holes you just drilled. Snap the steel brake line into the clamps. Discard the steel strip removed in step 2. Re-attach the plastic frame cover if so equipped.
9. Hold the shroud to the radiator one inch lower then the original mounting location. Mark the holes. Center punch them and drill a small pilot hole. Now, enlarge them to 5/16” in diameter. Re-attach the shroud to the radiator in the new holes drilled.
10. If your Jeep has stock suspension (no lift) you are finished ! If your Jeep has a suspension (lift) kit that incorporates a drop skid pan (crossmember under the transmission/transfer case), installation of this body lift kit may cause the transmission shift lever to contact the floor (body) of your Jeep. To keep this from happening , you must perform the following: Remove the shift lever boot from the floor pan and trim the sheet metal with tin snips until the transmission can be shifted into 2nd, 4th and reverse gears without interference. The boot has a metal ring molded into it’s base and it will need to be located back approx. 3/4” or more on the floor by re-drilling the mounting holes. Fill any gaps in the floor with black silicone.

IF YOU PURCHASED A BODY LIFT SYSTEM THAT INCLUDED REPLACEMENT POLYURETHANE BODY MOUNTS, THE FOLLOWING CHART INDICATES THE PROPER LOCATION OF THE INSULATORS:

FRONT OF VEHICLE

REAR OF VEHICLE



Your are now finished ! Please re-check all mounting hardware on a frequent basis and after every off road trip.

TERMS-POLICIES:

RETURNS: No returns will be accepted without prior permission from M.O.R.E.™ LLC. After you receive a Return Goods Authorization (RGA) number, merchandise must be returned prepaid and insured. A claim must be made with in 30 days from receipt of merchandise. The original invoice or a copy with the RGA number written on must accompany all returns. A 20% restocking fee will be charged on all parts returned for credit or refund unless merchandise is proven to be defective or was shipped wrong by M.O.R.E.™ LLC. No merchandise will be issued credit or refund if it has been installed, modified, used in any way or is in unsalable condition.

WARRANTY: All merchandise is warranted to be free from defects in materials and workmanship prior to installation. Any alteration or improper use will void this warranty. Because all parts we sell are intended for use in heavy-duty applications it is not possible to warrantee or guarantee the performance of any items. M.O.R.E.™ LLC. products and the products manufactured by others, which we sell may be subject to an infinite variety of conditions due to the manner in which they are used, serviced and/or installed. Purchasers and users of such products rely upon their own judgment as to the suitable use selection, service and installation of such products.

PRODUCT DISCLAIMER: Modification of your vehicle to enhance performance with parts sold by M.O.R.E.™ LLC. may create a dangerous condition which could cause serious bodily injury, and the buyer hereby expressly assumes all risks associated with any such modifications. All parts sold by M.O.R.E.™ LLC. are for racing or off road use only. Mountain Off Road Enterprises LLC. will not accept responsibility for personal injury or property damage arising from the failure of any parts manufactured or sold by M.O.R.E.™ LLC.

Specifications are subject to change without notice.

Jeep®, YJ®, Wrangler®, are registered trademarks of DaimlerChrysler .

M.O.R.E.™ is a trademark used by Mountain Off Road Enterprises, LLC. The M.O.R.E.™ logo and these instructions are copyright© , 2008.