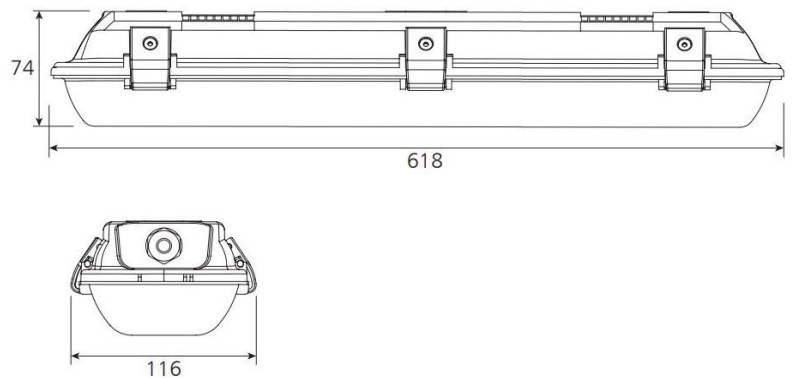


# Integrated Power

## WP SERIES WEATHERPROOF BATTEN - 20W 600MM



The WP Series LED Battens offer a high quality and easy install external fitting range. This robust IP65 luminaire is built for outdoor commercial applications.



### Features

- SMD LED technology
- Stainless Steel Mounting Clips
- Frosted Diffuser
- Robust Construction
- Replaces 2x 18W Fluoro

### Applications

- Council Facilities
- Parks
- Schools
- Exterior Walls / Ceilings
- Commercial Buildings

## Standard Specifications

- Rated input power - 20W
- 120 degree beam
- SMD LEDs
- IP65
- CRI>80
- 2000lm (4000K)
- IK08

## Options List

## Models List

Grey / 3000K	WP20GR3KN02	Special Order
Grey / 4000K	WP20GR4KN02	Stock Item
Grey / 5000K	WP20GR5KN02	Special Order

## Accessories

## IES Files

IES WP20GR4KN02 20W

**1300 551 942**

[sales@integratedpower.net.au](mailto:sales@integratedpower.net.au)



 **Integrated**  
POWER

\* For full warranty terms and conditions visit [www.integratedpower.net.au](http://www.integratedpower.net.au)

Date : 14-2-2019